

SPECIFICATIONS

1. 4" Plain End inlet/outlets, C24-M cover standard.
2. Max flow rate: 75 GPM.
3. Filter Basket solids capacity: 7 gallons.
4. Screen perforations: ϕ 1/4" openings.
5. Unit weight w/ standard cover: 65 lbs.
6. Maximum operating temperature 140°F continuous.

NOTES

1. Cover placement allows full access to tank for proper maintenance.
2. Basket inserts in one orientation.
3. Basket allows for sufficient flow in the presence of solids, limiting the chance for a backup.
4. The optional low outlet allows for static water level to remain below the basket. This keeps the basket dry during maintenance and also creates a reservoir to handle temporary flow surge.
5. Handle may be extended using 1-1/2" PVC to ensure ease of basket removal when risers are in use.
6. Maximum burial depth: 39" from standard cover height.

ENGINEER SPECIFICATION GUIDE

Striem AA-4 solids interceptor shall be lifetime guaranteed and made in the USA. Interceptor shall be constructed of polyethylene. Interceptor shall be certified to IAPMO/ANSI/CAN Z1167 and carry a UPC listing. Interceptor shall be furnished for above- or below-grade installation. Field-adjustable riser system is available as an option to bring manhole cover to grade. Interceptor shall have removable, corrosion-resistant filter basket. Interceptor shall be equipped with high and low outlet options. Filter basket solids capacity shall be 7 gallons. Cover shall be water/gas-tight with a minimum 2,000 lbs. load capacity.

OPTIONS

Riser Options

From Factory: Up to 5"

Up to 24": **SR-24**

Up to 39": **LR-24**

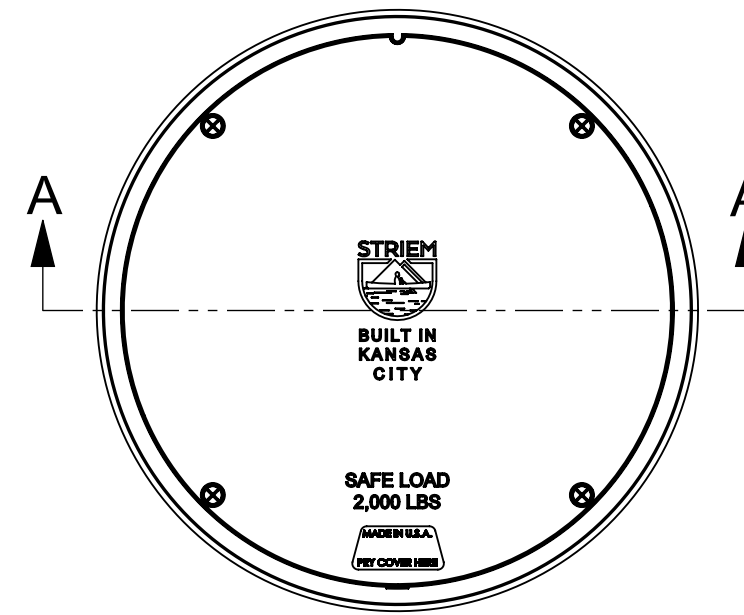
Additional Options

C24-H: 16,000 lbs. Rated Bolted Composite Cover

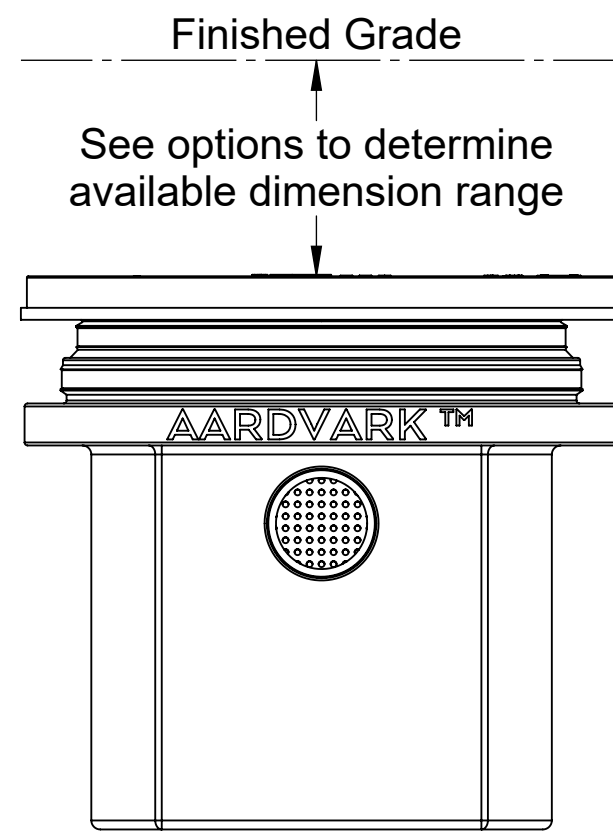
C24-HP: H20 Rated Pickable Cast Iron Cover

Anchor Flange: High Water Table Anchor Flange*

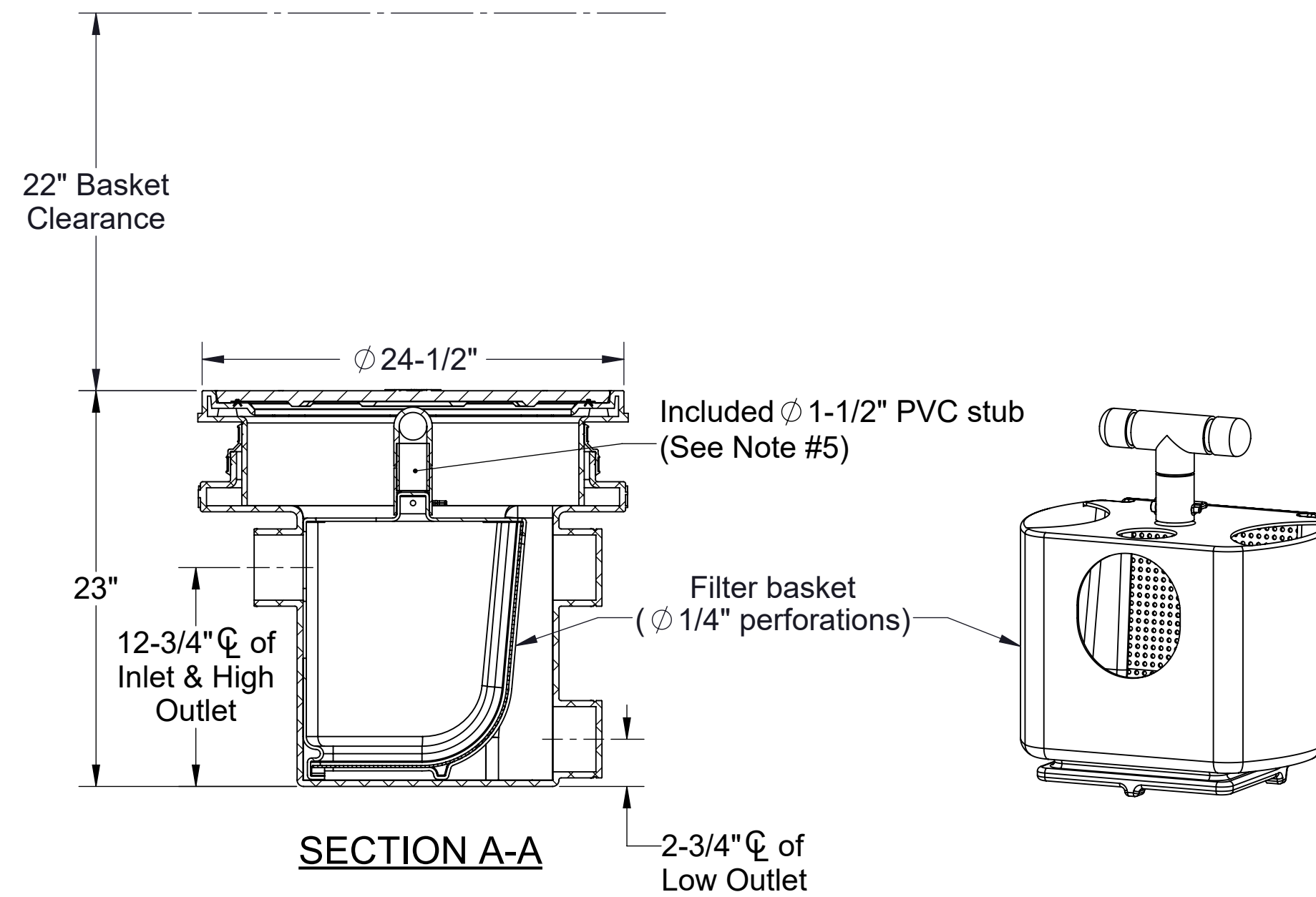
*Anchor flange will raise overall height by 3/4"



TOP VIEW



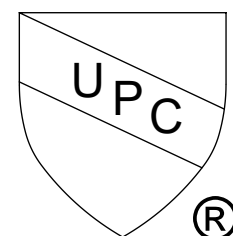
END VIEW



SECTION A-A



US Patent No.
US10786761B2



PO IS NON-CANCELABLE
ORDER IS NON-RETURNABLE

PROPRIETARY AND CONFIDENTIAL
THE INFORMATION CONTAINED IN THIS DRAWING IS THE SOLE PROPERTY OF STRIEM, LLC.
ANY REPRODUCTION IN PART OR AS A WHOLE WITHOUT THE WRITTEN PERMISSION OF STRIEM, LLC. IS PROHIBITED.

MODEL NUMBER:	AA-4
DESCRIPTION:	AARDVARK™ BASKET STYLE SOLIDS INTERCEPTOR
DWG BY:	ENG
DATE:	12/13/2024
REV:	1

SPECIFICATION SHEET

Striem
Kansas City, KS
Tel: 913-222-1500
orders@striemco.com
www.striemco.com

Made in the U.S.A

