

SPECIFICATIONS

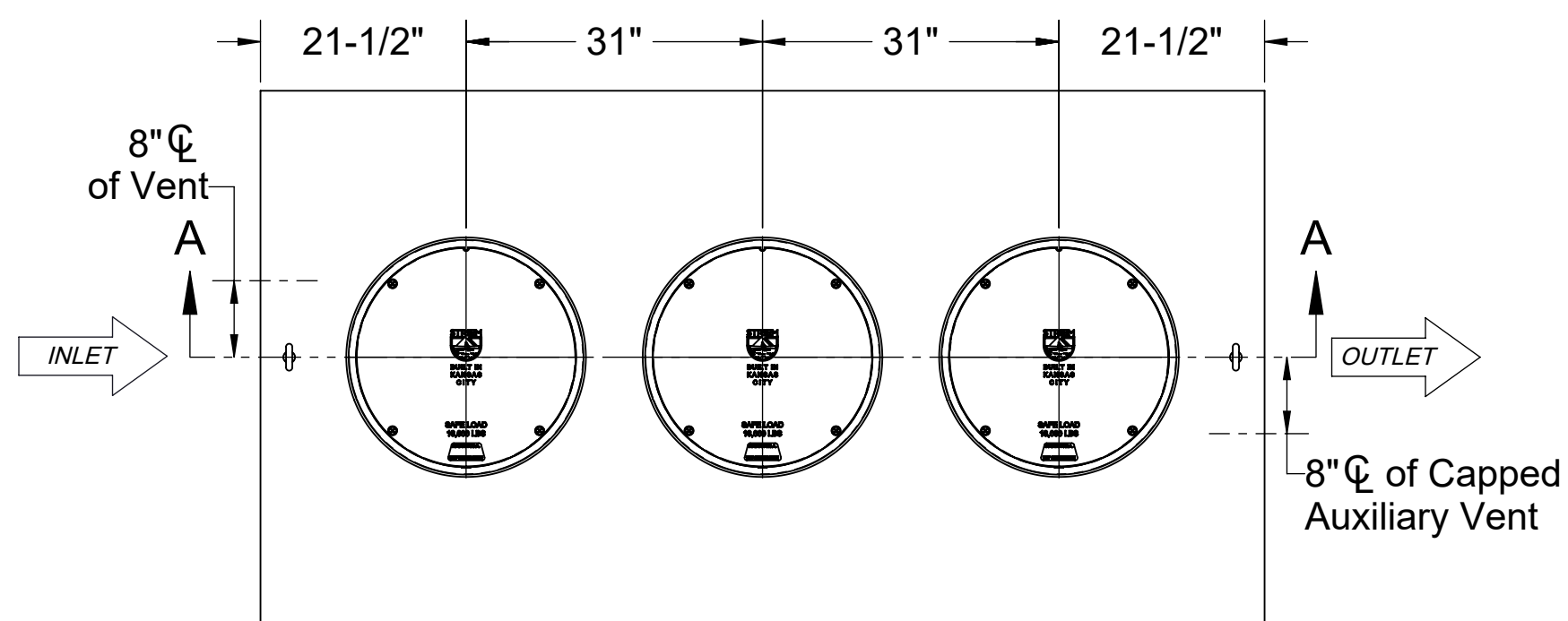
1. 6" Plain End inlet shown, 2" Plain End pump outlet, 3" Plain End vents standard.
2. Liquid holding capacity: 750 gallons (100 cu. ft.).
3. Unit weight: 1113 lbs.
4. Maximum operating temperature 140°F continuous.

NOTES

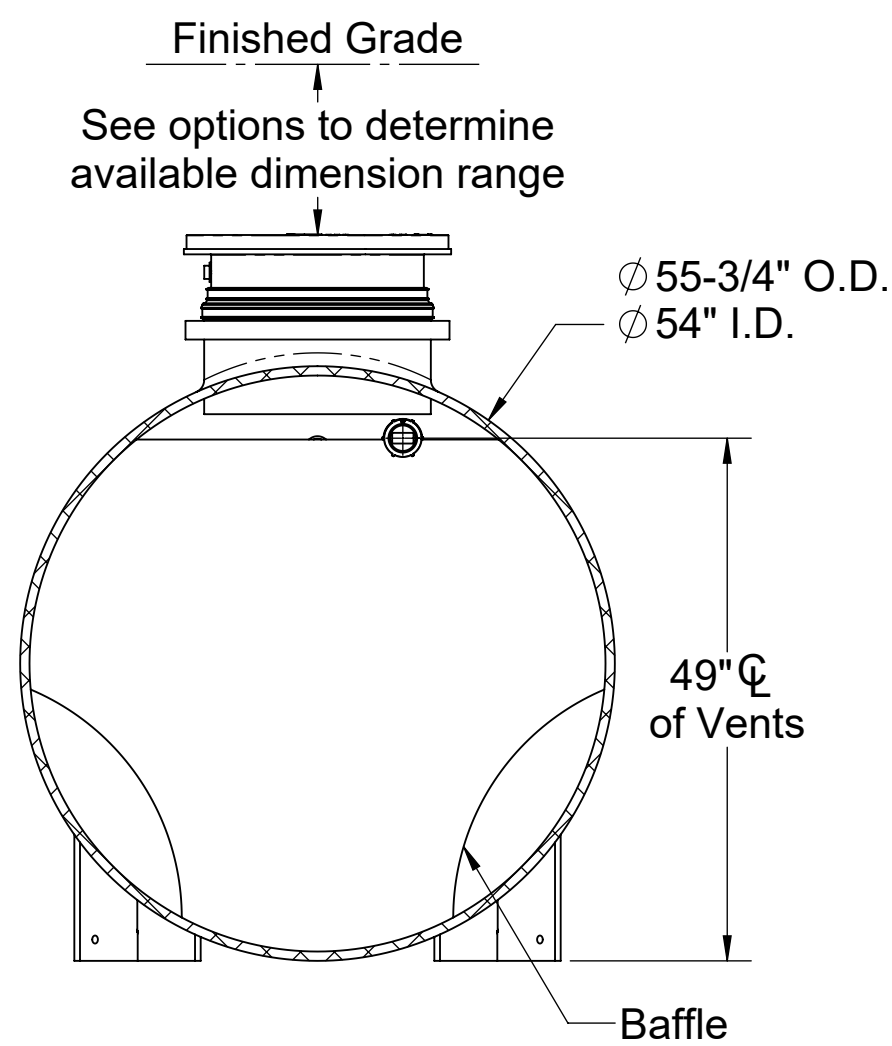
1. For gravity drainage applications only.
2. Do not use for pressure applications.
3. Capped auxiliary vent provided to allow flexibility with vent piping and design. Provided cap can be moved to unused vent location, or discarded if two chamber vents are required per local code.
4. Cover placement allows full access to tank for proper maintenance.
5. Lifting lug set for easy install.
6. Maximum burial depth: 103" from standard cover height.

ENGINEER SPECIFICATION GUIDE

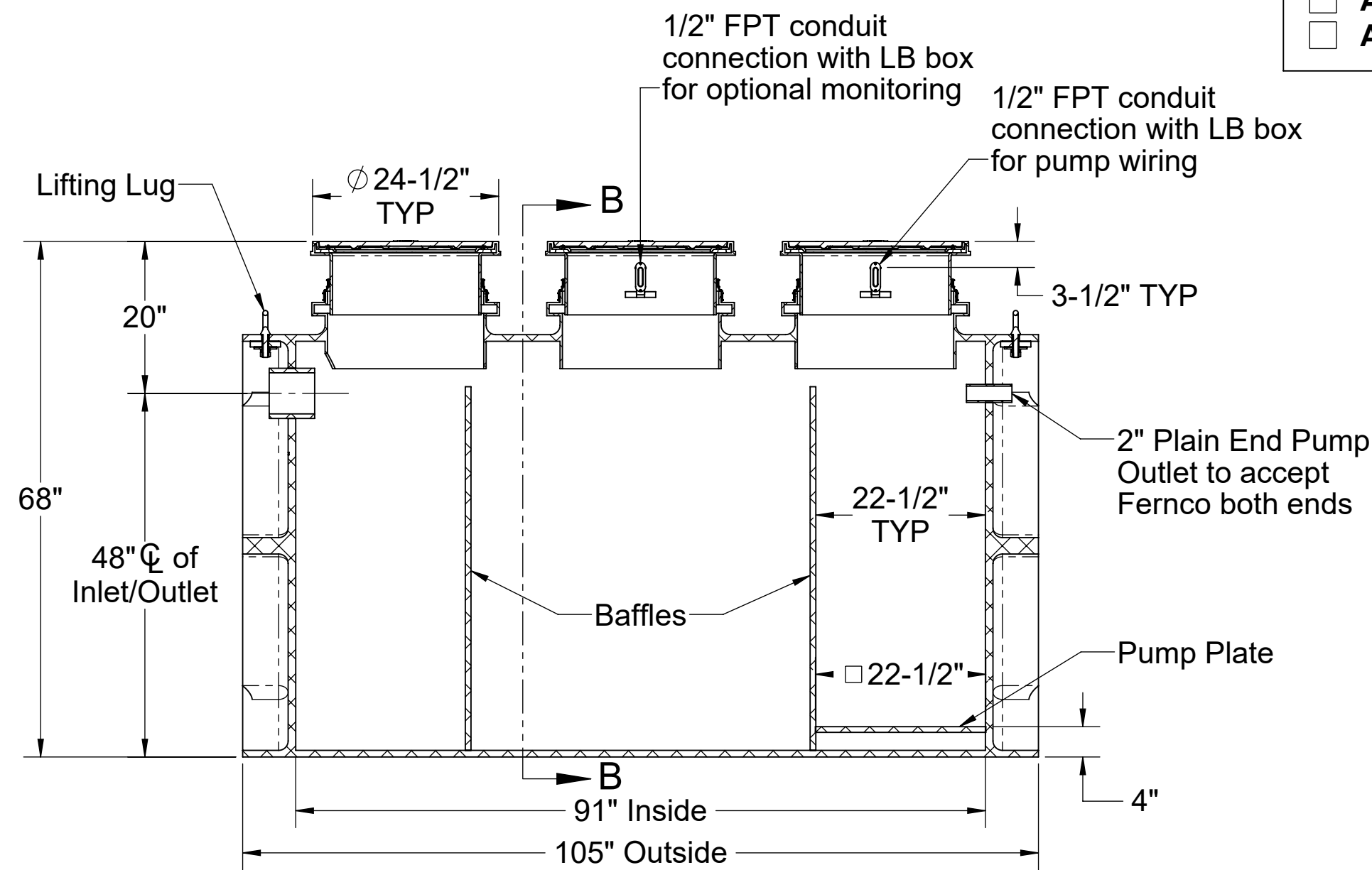
Striem decontamination tank model BB-750-PP shall be lifetime guaranteed and made in the USA. Tank shall be constructed of polyethylene with 7/8" nominal wall thickness. Tank shall be manufactured for below-grade installation. Field-adjustable riser system is available as an option to bring manhole covers to grade. Tank liquid holding capacity shall be 750 gallons. Covers shall provide water/gas-tight seal and have a maximum 16,000 lbs. load capacity.



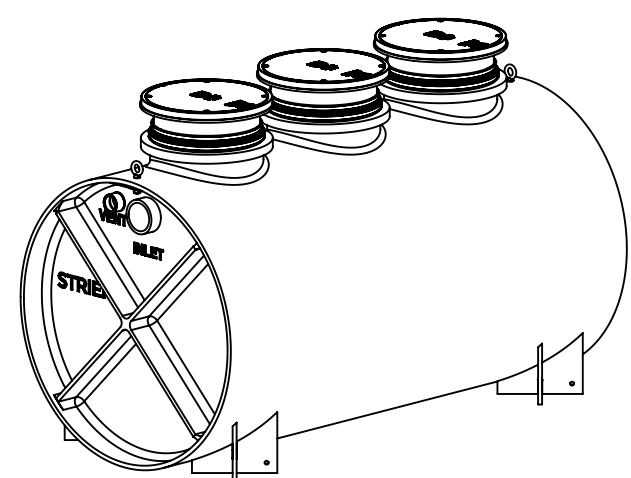
TOP VIEW



SECTION B-B



SECTION A-A



PO IS NON-CANCELABLE ORDER IS NON-RETURNABLE

PROPRIETARY AND CONFIDENTIAL THE INFORMATION CONTAINED IN THIS DRAWING IS THE SOLE PROPERTY OF STRIEM, LLC. ANY REPRODUCTION IN PART OR AS A WHOLE WITHOUT THE WRITTEN PERMISSION OF STRIEM, LLC. IS PROHIBITED.

OPTIONS

Connection Options (Plain End Only)

Inlet

- 3"
- 4"
- 6"

SELECTION REQUIRED

Riser Options

From Factory: Up to 2"

- Up to 21": **SR24** (3)
- Up to 36": **LR24** (3)
- Up to 40": **SR24** (6)
- Up to 55": **SR24** (3) + **LR24** (3)
- Up to 69": **LR24** (6)
- Up to 87": **SR24** (3) + **LR24** (6)
- Up to 103": **LR24** (9)

- OR -

- CPRK** (3): 11" - 103" (See specification for more detail.)

Additional Options

- HDK-4**: High Water Table Hold Down Kit
- AVA-3**: Single-Level Monitoring Package
- AVA-4**: Multi-Level Monitoring Package

MODEL NUMBER: BB-750-PP

DESCRIPTION:
 BIO BASIN™
 POLYETHYLENE DECONTAMINATION TANK
 WITH PUMP PLATE
 750 GALLON CAPACITY

DWG BY: ENG **DATE:** 1/13/2025 **REV:** 2

SPECIFICATION SHEET

Striem
 Kansas City, KS
 Tel: 913-222-1500
 orders@striemco.com
 www.striemco.com

Made in the U.S.A

