

SPECIFICATIONS

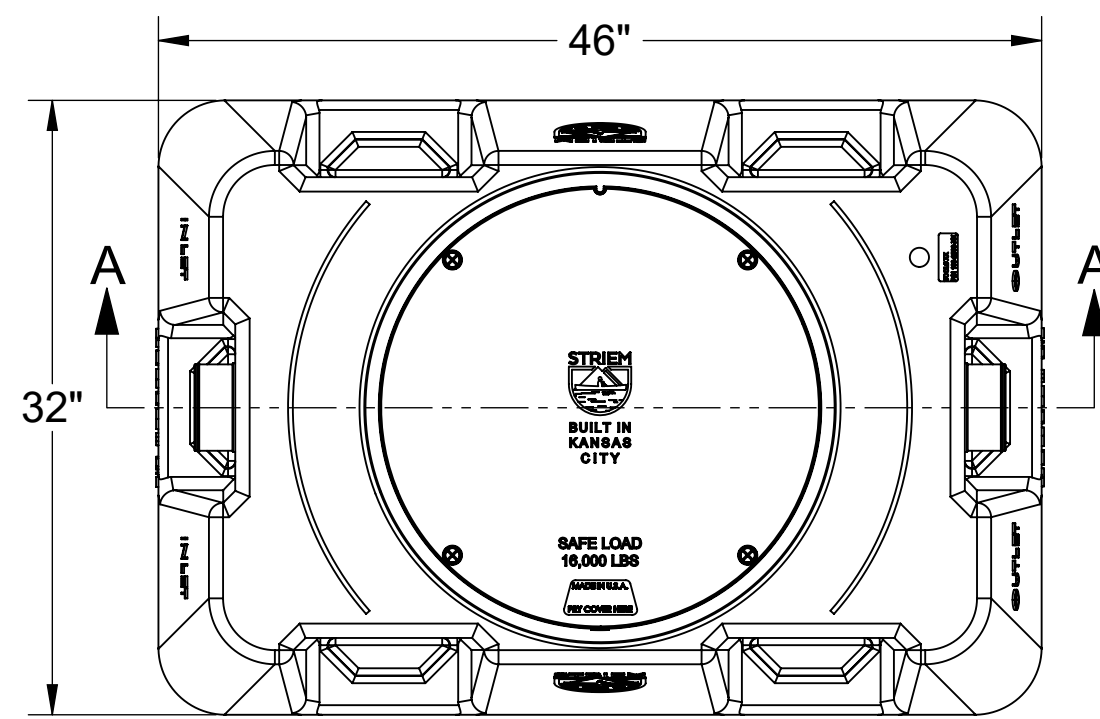
1. 4" Plain End inlet/outlet, C24-H cover standard.
2. Liquid capacity: 110 Gallons.
3. Solids capacity: 70 Gallons.
4. Unit weight w/ standard cover: 120 lbs.; w/ cast iron cover: 180 lbs.
5. Maximum operating temperature 140°F continuous.

NOTES

1. For gravity drainage applications only.
2. Do not use for pressure applications.
3. Cover placement allows full access to tank for proper maintenance.
4. Narrow footprint allows clearance through doorways and down stairs.
5. Diptube is removable to inspect or clean piping.
6. Maximum burial depth: 72" from standard cover height.

ENGINEER SPECIFICATION GUIDE

Striem solids interceptor model CB-125-S shall be lifetime guaranteed and made in the USA. Interceptor shall be constructed of polyethylene. Interceptor shall be manufactured for above- or below-grade installation. Field-adjustable riser system is available as an option to bring manhole cover to grade. Interceptor liquid holding capacity shall be 110 gallons and solids capacity shall be 70 gallons. Cover shall provide water/gas-tight seal and have a maximum 16,000 lbs. load capacity.



TOP VIEW

OPTIONS

Connection Options (Plain End Only)

Inlet / Outlet

- 4"
- 6"

Riser Options

From Factory: Up to 5"

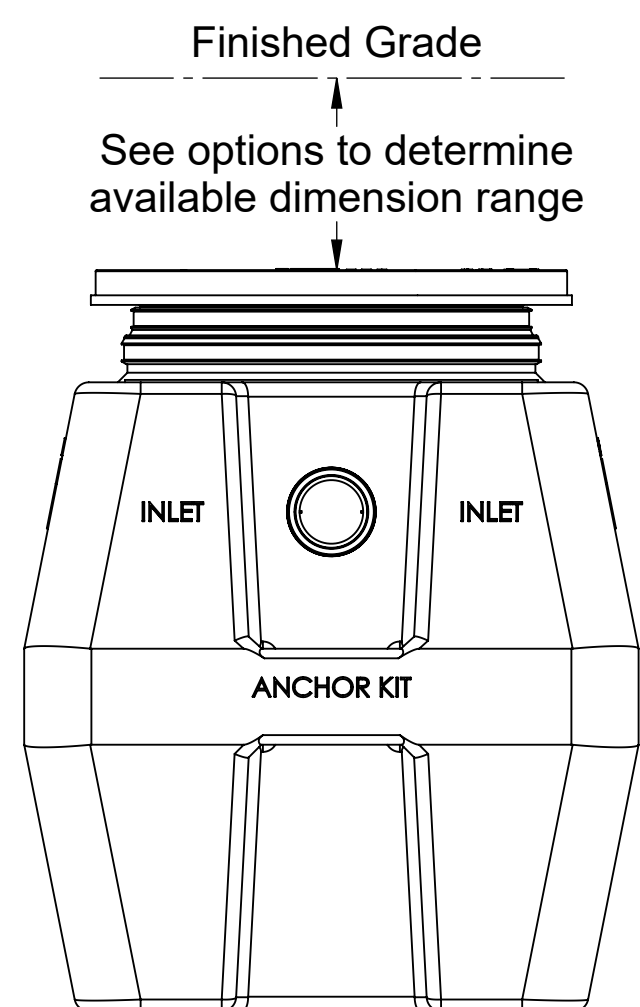
- Up to 24": **SR24**
- Up to 39": **LR24**
- Up to 43": **SR24 (2)**
- Up to 58": **SR24 + LR24**
- Up to 72": **LR24 (2)**

- OR -

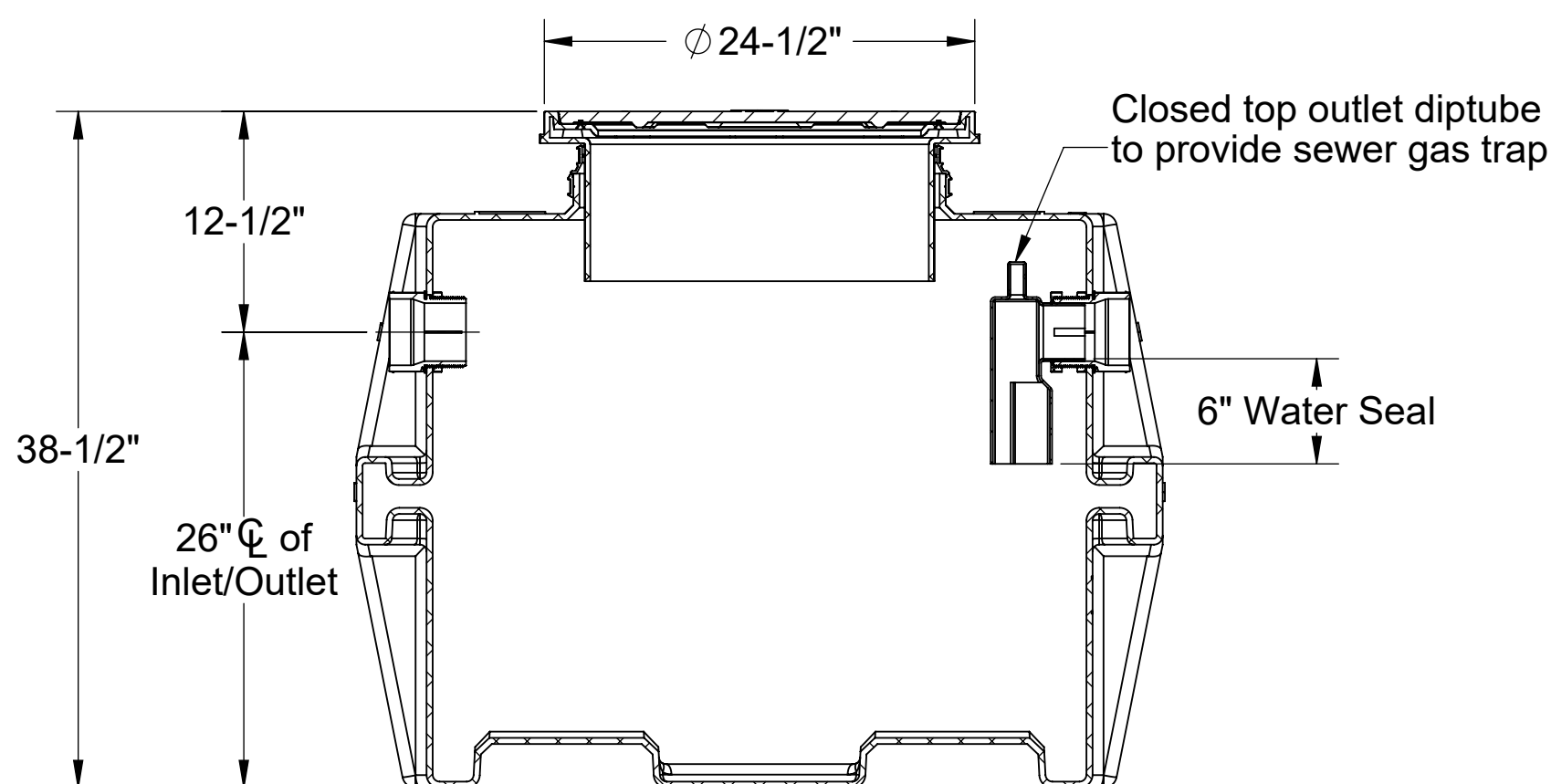
- CPRK: 11" - 72"** (See specification for more detail.)

Additional Options

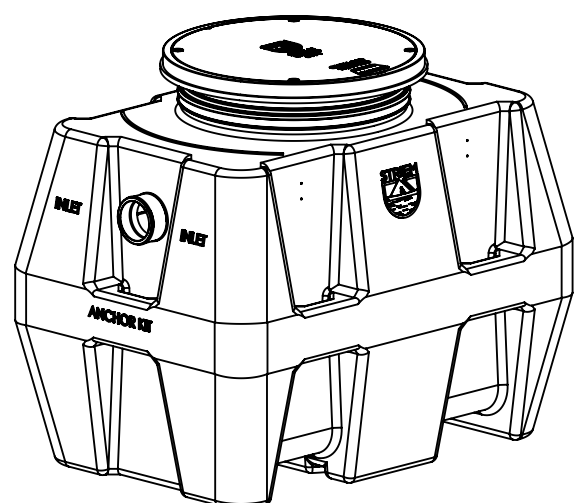
- HDK-2: High Water Table Hold Down Kit**
- C24-HP: H20 Rated Pickable Cast Iron Cover**



END VIEW



SECTION A-A



PROPRIETARY AND CONFIDENTIAL
THE INFORMATION CONTAINED IN THIS DRAWING IS THE SOLE PROPERTY OF STRIEM, LLC. ANY REPRODUCTION IN PART OR AS A WHOLE WITHOUT THE WRITTEN PERMISSION OF STRIEM, LLC. IS PROHIBITED.

| | | | |
|---|------------------------|----------------------------|--|
| MODEL NUMBER: CB-125-S | | SPECIFICATION SHEET | |
| DESCRIPTION: POLYETHYLENE CATCH BASIN | | | |
| DWG BY: ENG | DATE: 1/14/2025 | REV: 0 | Striem Kansas City, KS Tel: 913-222-1500 orders@striemco.com www.striemco.com Made in the U.S.A |
| | | | |