

**SPECIFICATIONS**

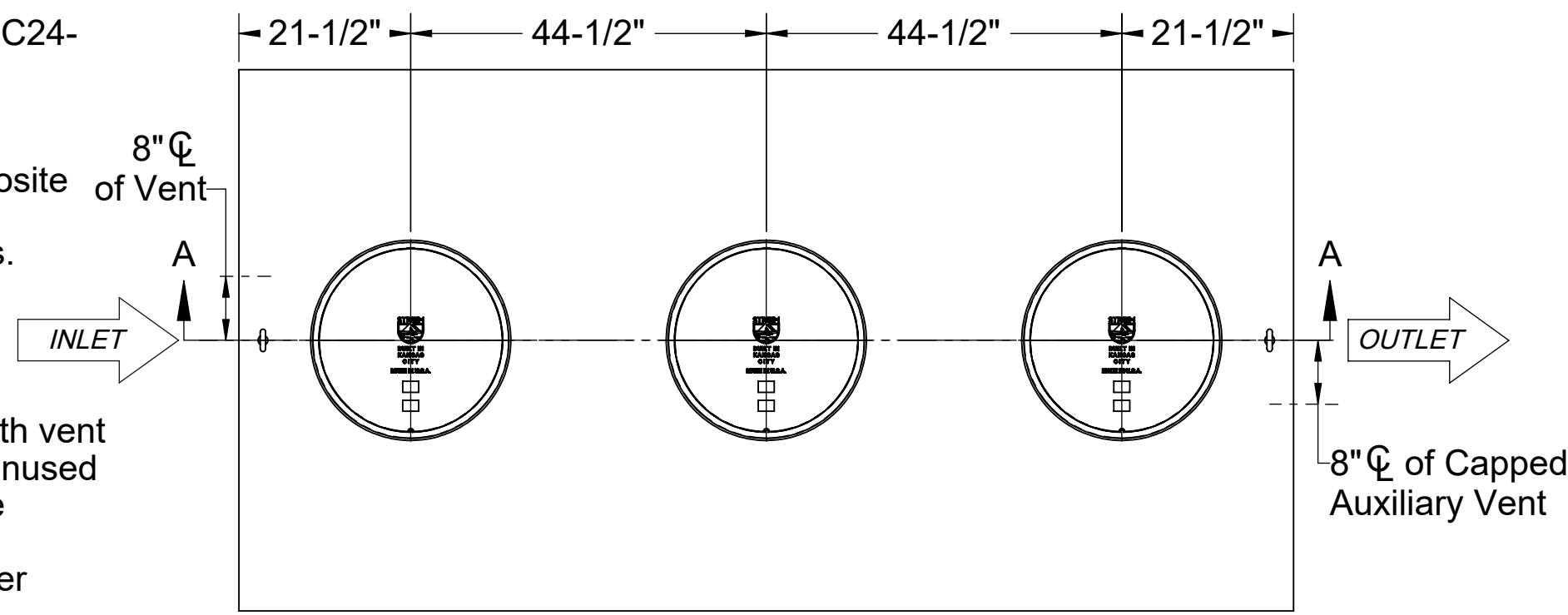
- 6" Plain End inlet/outlet shown, 3" Plain End vents, C24-HP covers standard.
- Liquid capacity: 1500 gallons (201 cu. ft.).
- Solids capacity: 1364 gallons.
- Unit weight w/ standard covers: 1496 lbs.; w/ composite covers: 1316 lbs.
- Maximum operating temperature: 140°F continuous.

**NOTES**

- For gravity drainage applications only.
- Do not use for pressure applications.
- Capped auxiliary vent provided to allow flexibility with vent piping and design. Provided cap can be moved to unused vent location, or discarded if two chamber vents are required per local code.
- Cover placement allows full access to tank for proper maintenance.
- Lifting lug set for easy install.
- Maximum burial depth: 106" from standard cover height.

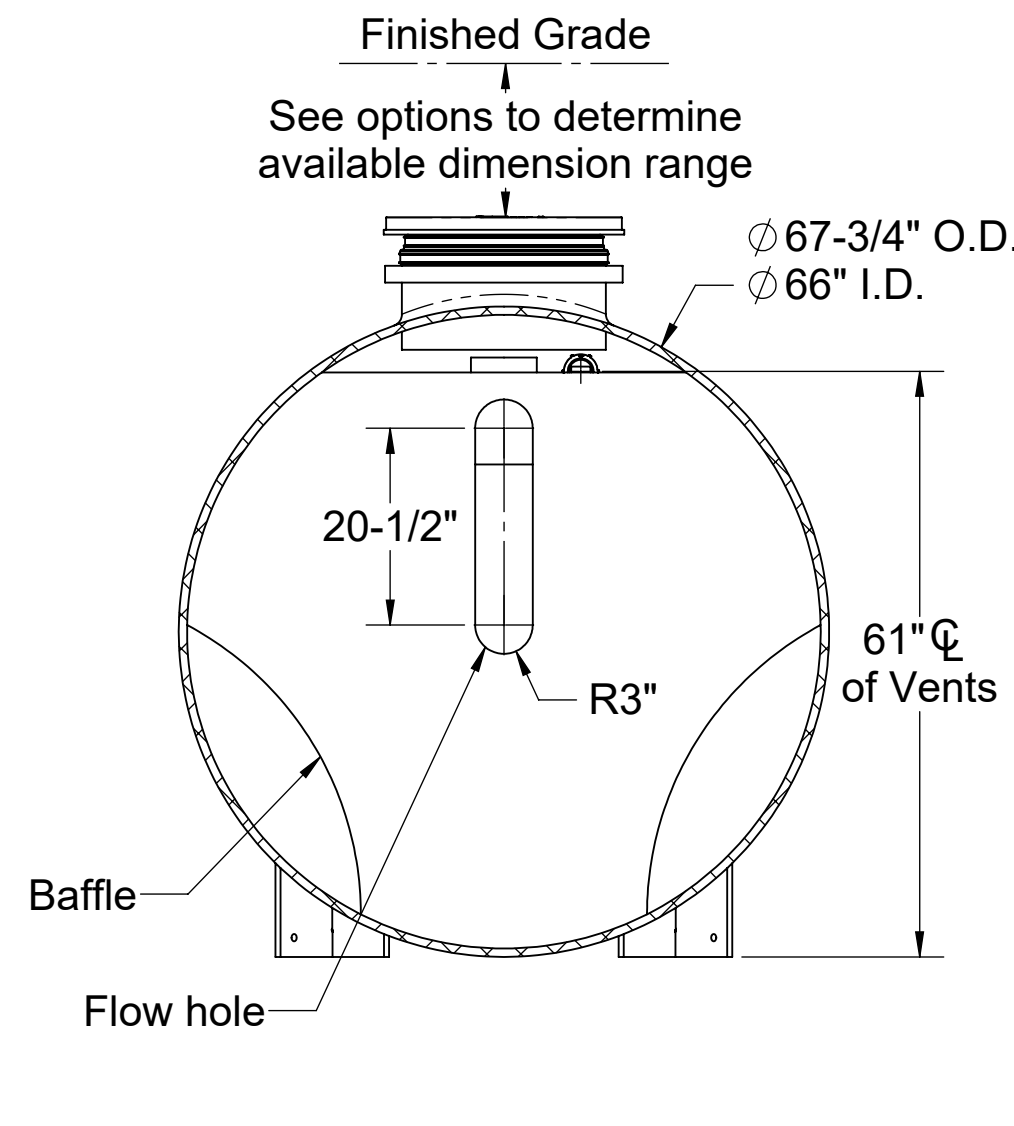
**ENGINEER SPECIFICATION GUIDE**

Striem solids interceptor model CB-1500-SFL shall be lifetime guaranteed and made in the USA. Interceptor shall be constructed of polyethylene with 7/8" nominal wall thickness. Interceptor shall be manufactured for below-grade installation. Field-adjustable riser system is available as an option to bring manhole covers to grade. Interceptor liquid holding capacity shall be 1500 gallons and solids capacity shall be 1364 gallons. Covers shall be H20 rated pickable cast iron.

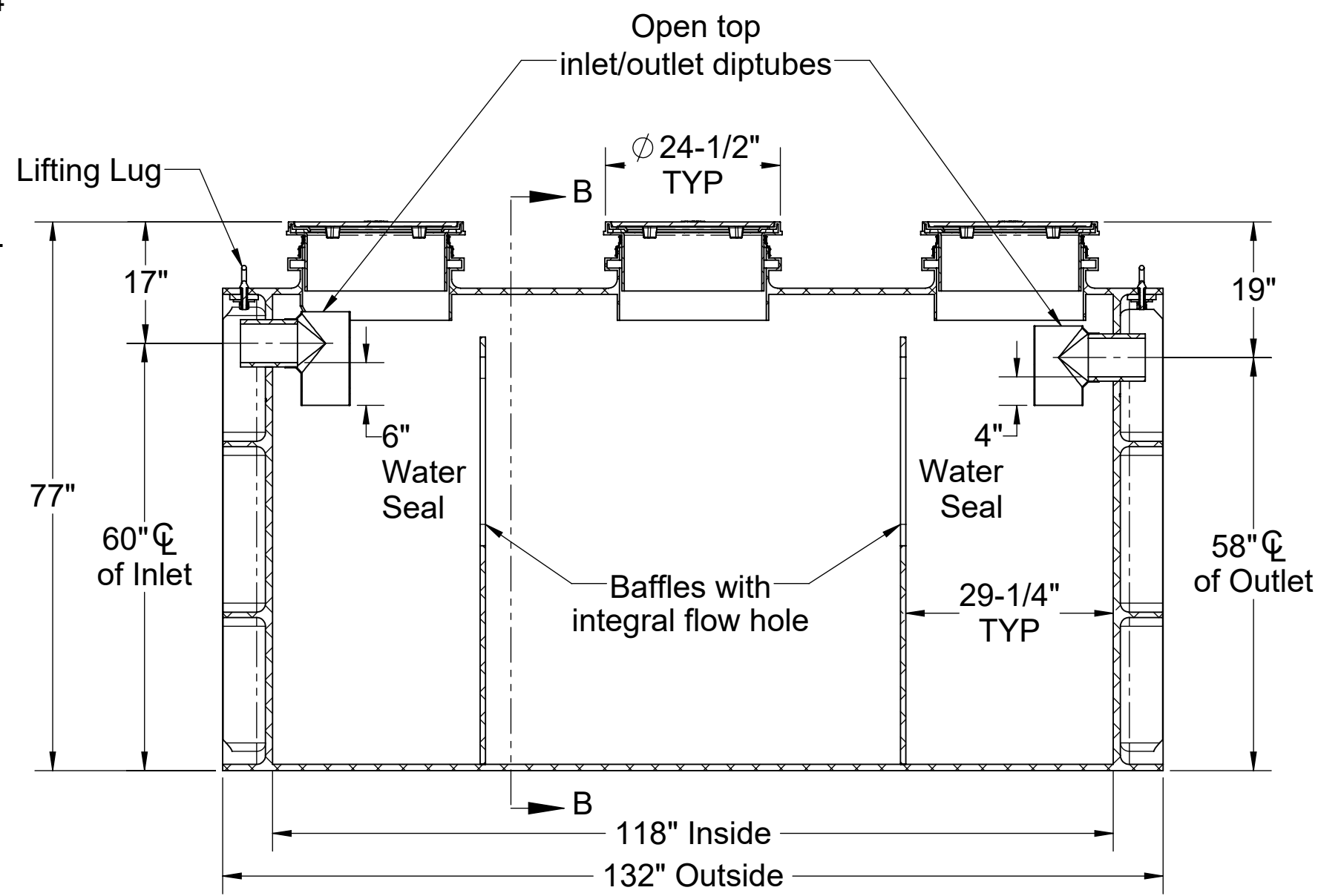


**TOP VIEW**

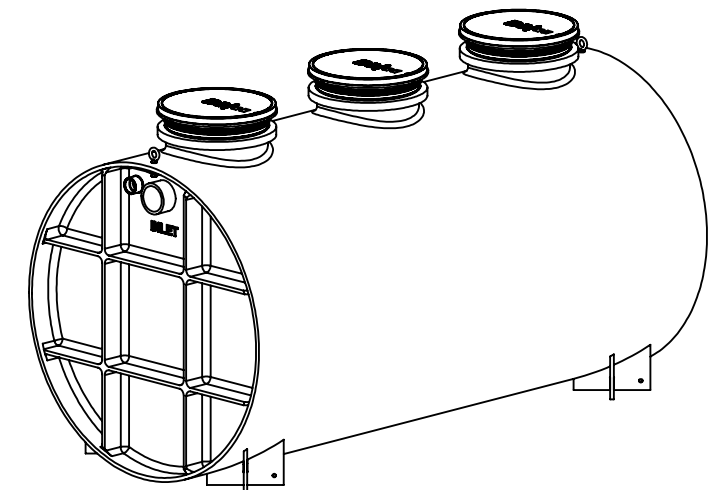
OPTIONS	
<b>Connection Types (Plain End Only)</b>	
<b>Inlet</b>	SELECTION REQUIRED
<input type="checkbox"/> 4"	
<input type="checkbox"/> 6"	
<b>Riser Options</b>	
<b>From Factory: 0" - 5"</b>	
<input type="checkbox"/> Up to 24": <b>SR24</b> (3)	
<input type="checkbox"/> Up to 39": <b>LR24</b> (3)	
<input type="checkbox"/> Up to 43": <b>SR24</b> (6)	
<input type="checkbox"/> Up to 58": <b>SR24</b> (3) + <b>LR24</b> (3)	
<input type="checkbox"/> Up to 72": <b>LR24</b> (6)	
<input type="checkbox"/> Up to 90": <b>SR24</b> (3) + <b>LR24</b> (6)	
<input type="checkbox"/> Up to 106": <b>LR24</b> (9)	
<b>- OR -</b>	
<input type="checkbox"/> <b>CPRK</b> (3): 11" - 106" (See specification for more detail.)	
<b>Additional Options</b>	
<input type="checkbox"/> <b>HDK-6</b> : High Water Table Hold Down Kit	
<input type="checkbox"/> <b>C24-H</b> (3): Highway rated bolted composite covers	



**SECTION B-B**



**SECTION A-A**



PO IS NON-CANCELABLE  
ORDER IS NON-RETURNABLE

<b>MODEL NUMBER:</b>	CB-1500-SFL
<b>DESCRIPTION:</b>	POLYETHYLENE CATCH BASIN SOLIDS INTERCEPTOR WITH H20 RATED PICKABLE CAST IRON COVERS
<b>DWG BY:</b> ENG	<b>DATE:</b> 1/15/2025
<b>REV:</b> 1	

SPECIFICATION SHEET	
Striem Kansas City, KS Tel: 913-222-1500 orders@striemco.com www.striemco.com	
Made in the U.S.A	

PROPRIETARY AND CONFIDENTIAL  
THE INFORMATION CONTAINED IN THIS DRAWING IS THE SOLE PROPERTY OF STRIEM, LLC.  
ANY REPRODUCTION IN PART OR AS A WHOLE WITHOUT THE WRITTEN PERMISSION OF STRIEM, LLC. IS PROHIBITED.