

SPECIFICATIONS

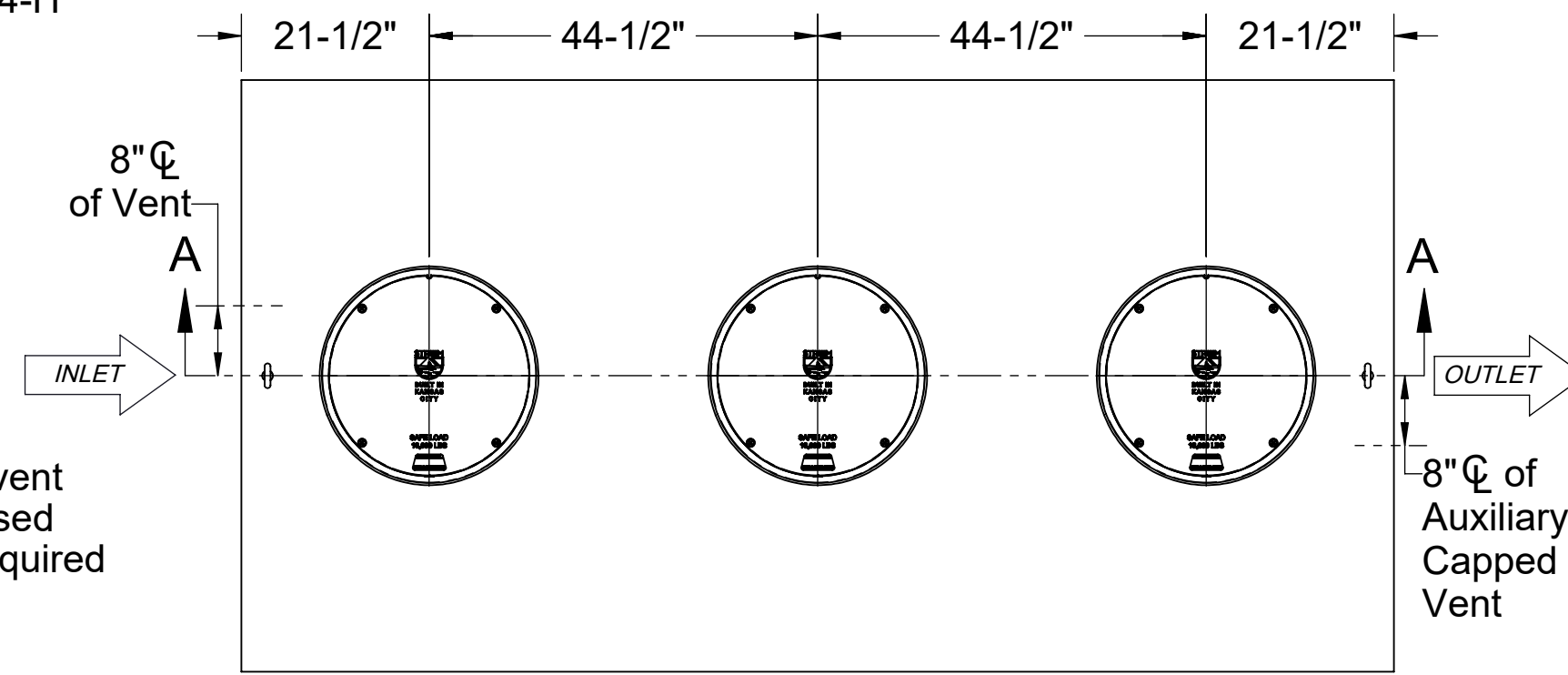
1. 6" Plain End inlet/outlet shown, 3" Plain End vents, C24-H Cover standard.
2. Liquid capacity: 1500 gallons (201 cu. ft.).
3. Flammable liquid capacity: 488 gallons.
4. Solids capacity: 825 gallons.
5. Unit weight w/ standard covers: 1496 lbs.; w/ cast iron covers: 1676 lbs.
6. Maximum operating temperature 140°F continuous.

NOTES

1. For gravity drainage applications only.
2. Do not use for pressure applications.
3. Capped auxiliary vent provided to allow flexibility with vent piping and design. Provided cap can be moved to unused vent location, or discarded if two chamber vents are required per local code.
4. Cover placement allows full access to tank for proper maintenance.
5. Lifting lug set for easy install.
6. Maximum burial depth: 106" from standard cover height.

ENGINEER SPECIFICATION GUIDE

Striem flammable liquid interceptor model FLI-1500 shall be lifetime guaranteed and made in the USA. Interceptor shall be constructed of polyethylene with 7/8" nominal wall thickness. Interceptor shall be manufactured for below-grade installation. Field-adjustable riser system is available as an option to bring manhole covers to grade. Interceptor liquid holding capacity shall be 1500 gallons and flammable liquid capacity shall be 488 gallons. Solids capacity shall be 825 gallons. Covers shall provide water/gas-tight seal and have a maximum 16,000 lbs. load capacity.



TOP VIEW

OPTIONS

Connection Options (Plain End Only)

Size

- 4"
- 6"
- 8"

SELECTION REQUIRED

Riser Options

From Factory: Up to 5"

- Up to 24": **SR24** (3)
- Up to 39": **LR24** (3)
- Up to 43": **SR24** (6)
- Up to 58": **SR24** (3) + **LR24** (3)
- Up to 72": **LR24** (6)
- Up to 90": **SR24** (3) + **LR24** (6)
- Up to 106": **LR24** (9)

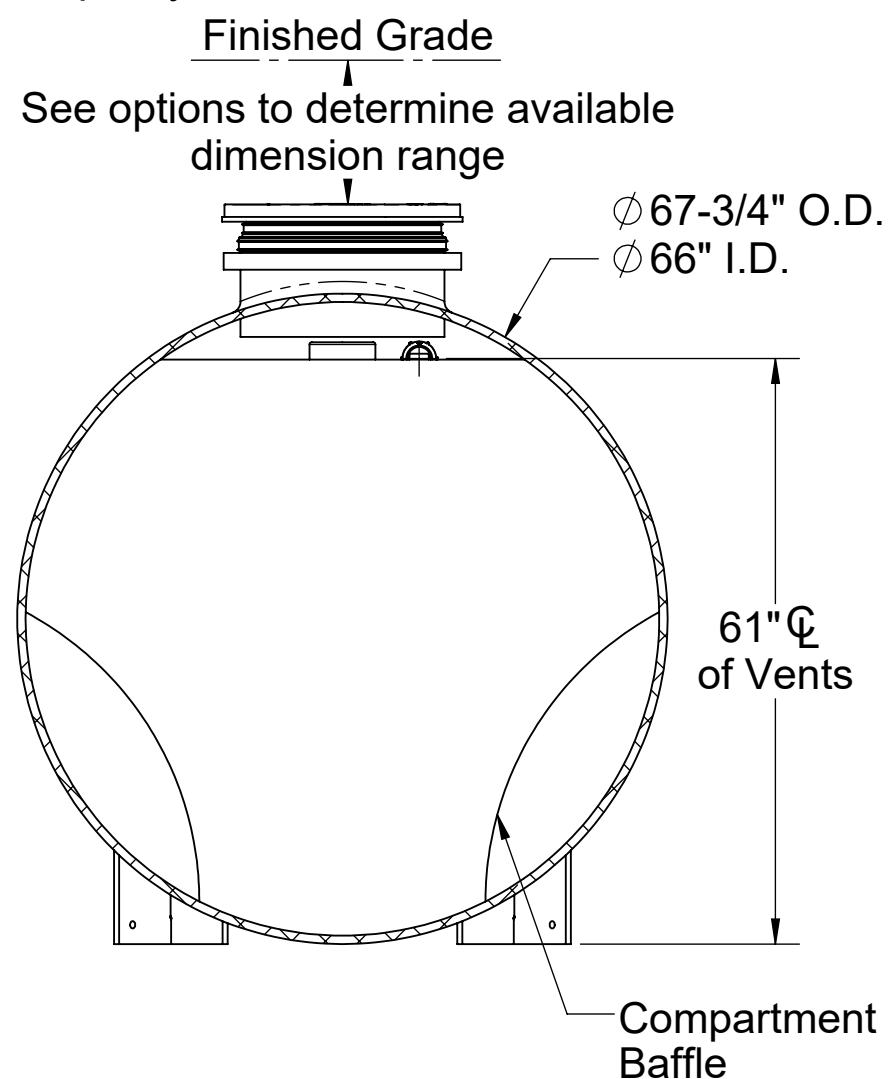
- OR -

- CPRK** (3): 11" - 106" (See specification for more detail.)

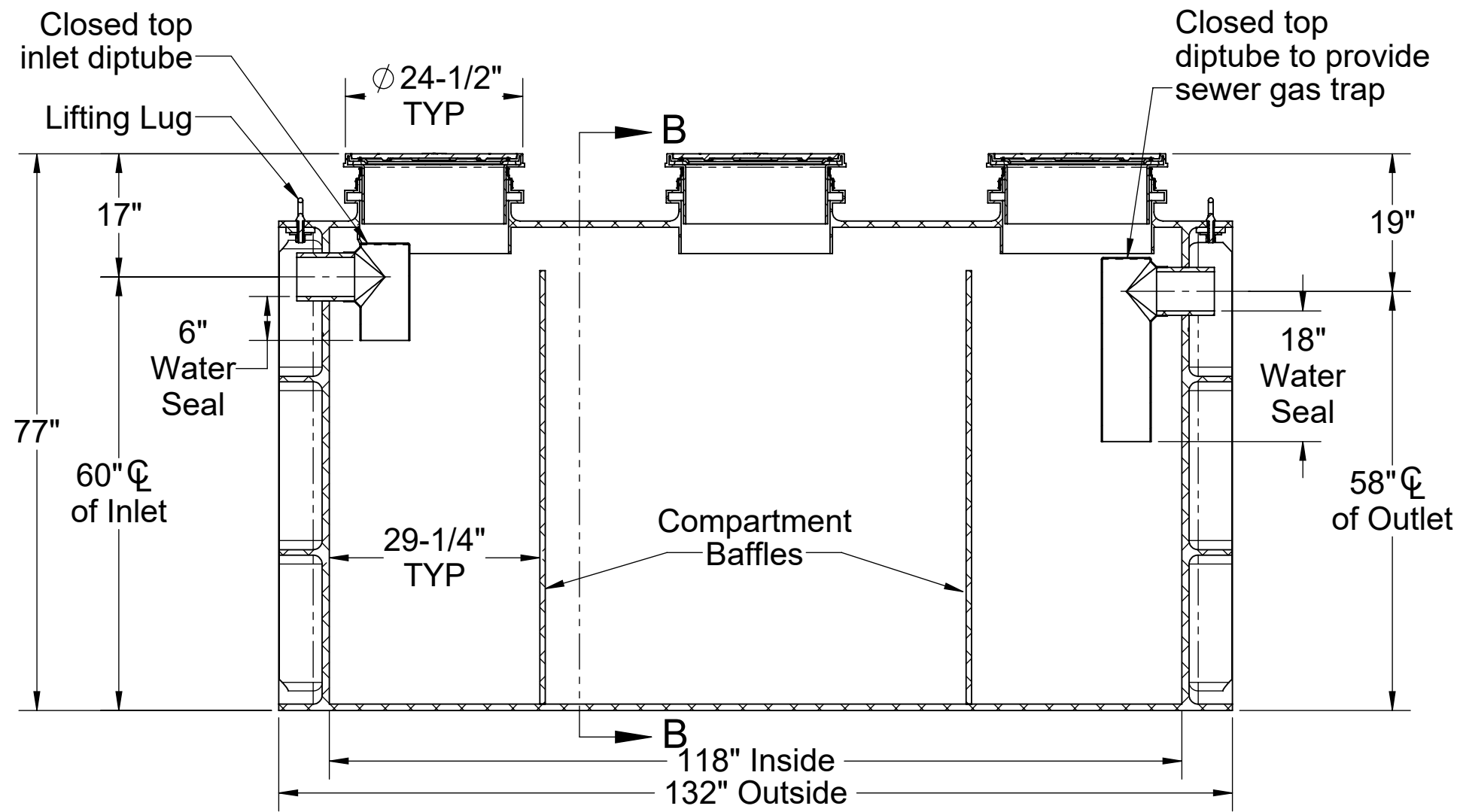
Additional Options

- HDK-6**: High Water Table Hold Down Kit
- C24-HP** (3): H2O Rated Pickable Cast Iron Covers
- SS**: Slick Stick™ Oil Level Monitoring System*

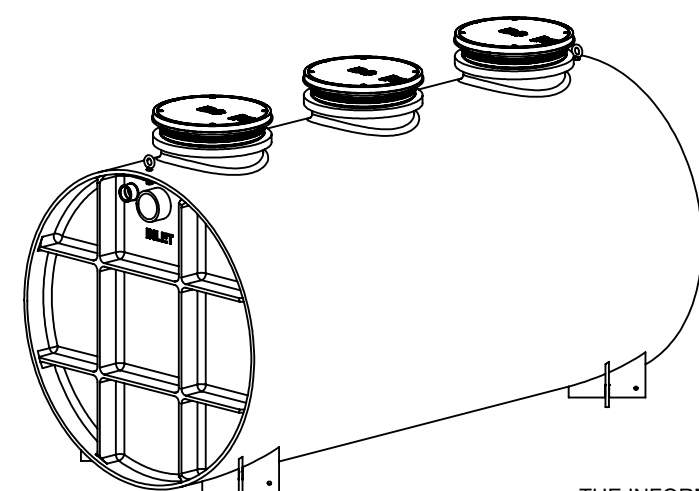
*Monitoring system will raise covers by 3".



SECTION B-B



SECTION A-A



PO IS NON-CANCELABLE ORDER IS NON-RETURNABLE

MODEL NUMBER:	FLI-1500
DESCRIPTION:	POLYETHYLENE FLAMMABLE LIQUID INTERCEPTOR 1500 GALLON CAPACITY UNRATED
DWG BY:	ENG
DATE:	1/23/2025
REV:	1

SPECIFICATION SHEET

Striem
Kansas City, KS
Tel: 913-222-1500
orders@striemco.com
www.striemco.com

Made in the U.S.A

PROPRIETARY AND CONFIDENTIAL
THE INFORMATION CONTAINED IN THIS DRAWING IS THE SOLE PROPERTY OF STRIEM, LLC.
ANY REPRODUCTION IN PART OR AS A WHOLE WITHOUT THE WRITTEN PERMISSION OF STRIEM, LLC. IS PROHIBITED.