

**SPECIFICATIONS**

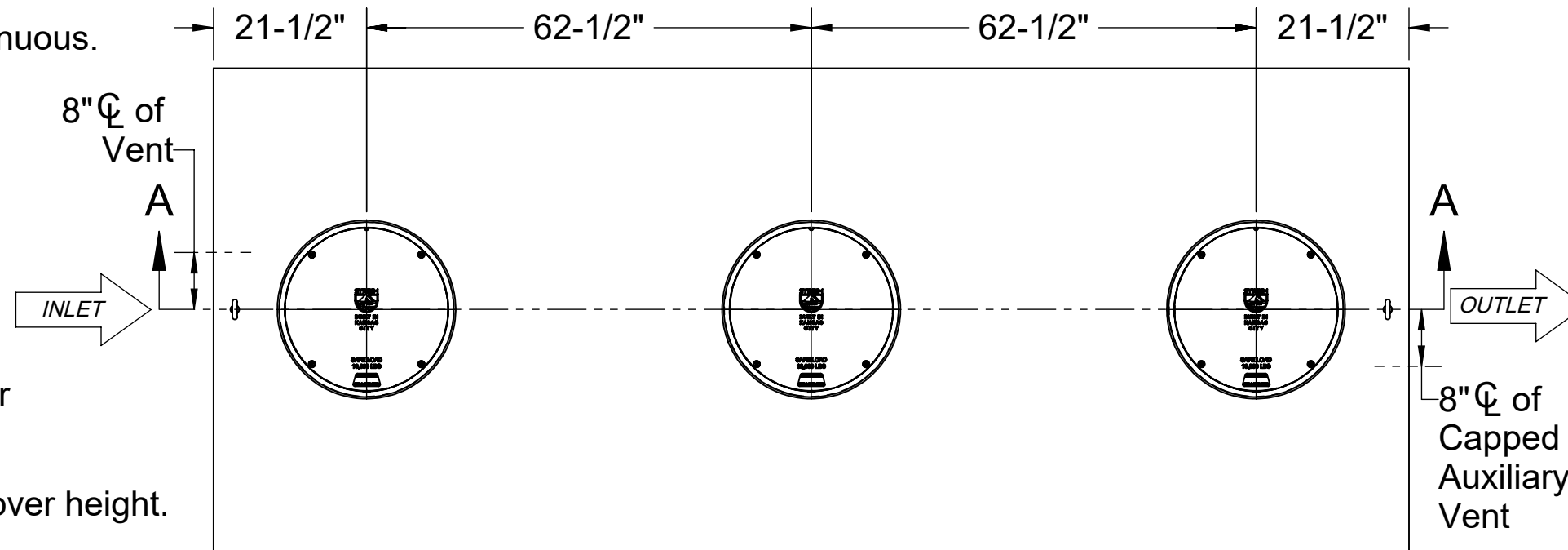
- 6" Plain End inlet/outlet shown, 3" Plain End vents, C24-H Cover standard.
- Liquid capacity: 2000 Gallons (267 cu. ft.).
- Flammable liquid capacity: 638 Gallons.
- Solids capacity: 1077 Gallons.
- Unit weight w/ standard covers: 1824 lbs.; w/ cast iron covers: 2004 lbs.
- Maximum operating temperature 140°F continuous.

**NOTES**

- For gravity drainage applications only.
- Do not use for pressure applications.
- Capped auxiliary vent provided to allow flexibility with vent piping and design. Provided cap can be moved to unused vent location, or discarded if two chamber vents are required per local code.
- Cover placement allows full access to tank for proper maintenance.
- Lifting lug set for easy install.
- Maximum burial depth: 106" from standard cover height.

**ENGINEER SPECIFICATION GUIDE**

Striem flammable liquid interceptor model FLI-2000 shall be lifetime guaranteed and made in the USA. Interceptor shall be constructed of polyethylene with 7/8" nominal wall thickness. Interceptor shall be manufactured for below-grade installation. Field-adjustable riser system is available as an option to bring manhole covers to grade. Interceptor liquid holding capacity shall be 2000 gallons and flammable liquid capacity shall be 638 gallons. Solids capacity shall be 1077 gallons. Covers shall provide water/gas-tight seal and have a maximum 16,000 lbs. load capacity.



**TOP VIEW**

**OPTIONS**

**Connection Options (Plain End Only)**

**Size**

- 4"
- 6"
- 8"

**SELECTION REQUIRED**

**Riser Options**

**From Factory: Up to 5"**

- Up to 24": **SR24** (3)
- Up to 39": **LR24** (3)
- Up to 43": **SR24** (6)
- Up to 58": **SR24** (3) + **LR24** (3)
- Up to 72": **LR24** (6)
- Up to 90": **SR24** (3) + **LR24** (6)
- Up to 106": **LR24** (9)

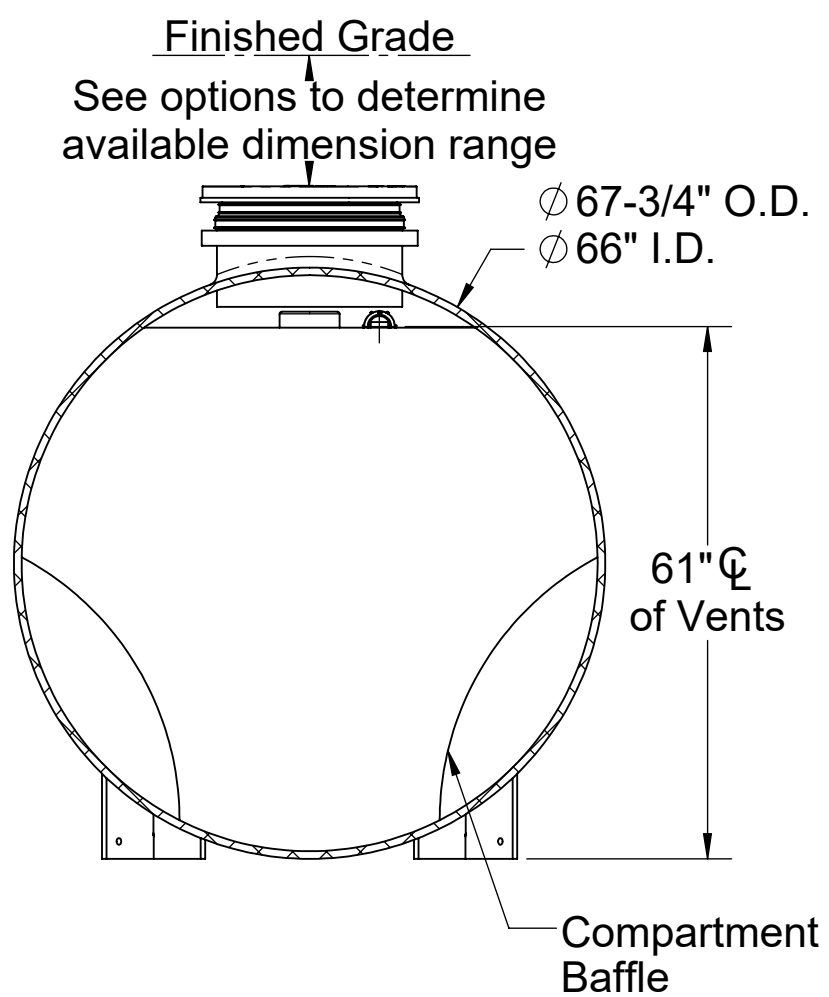
**- OR -**

- CPRK** (3): 11" - 106" (See specification for more detail.)

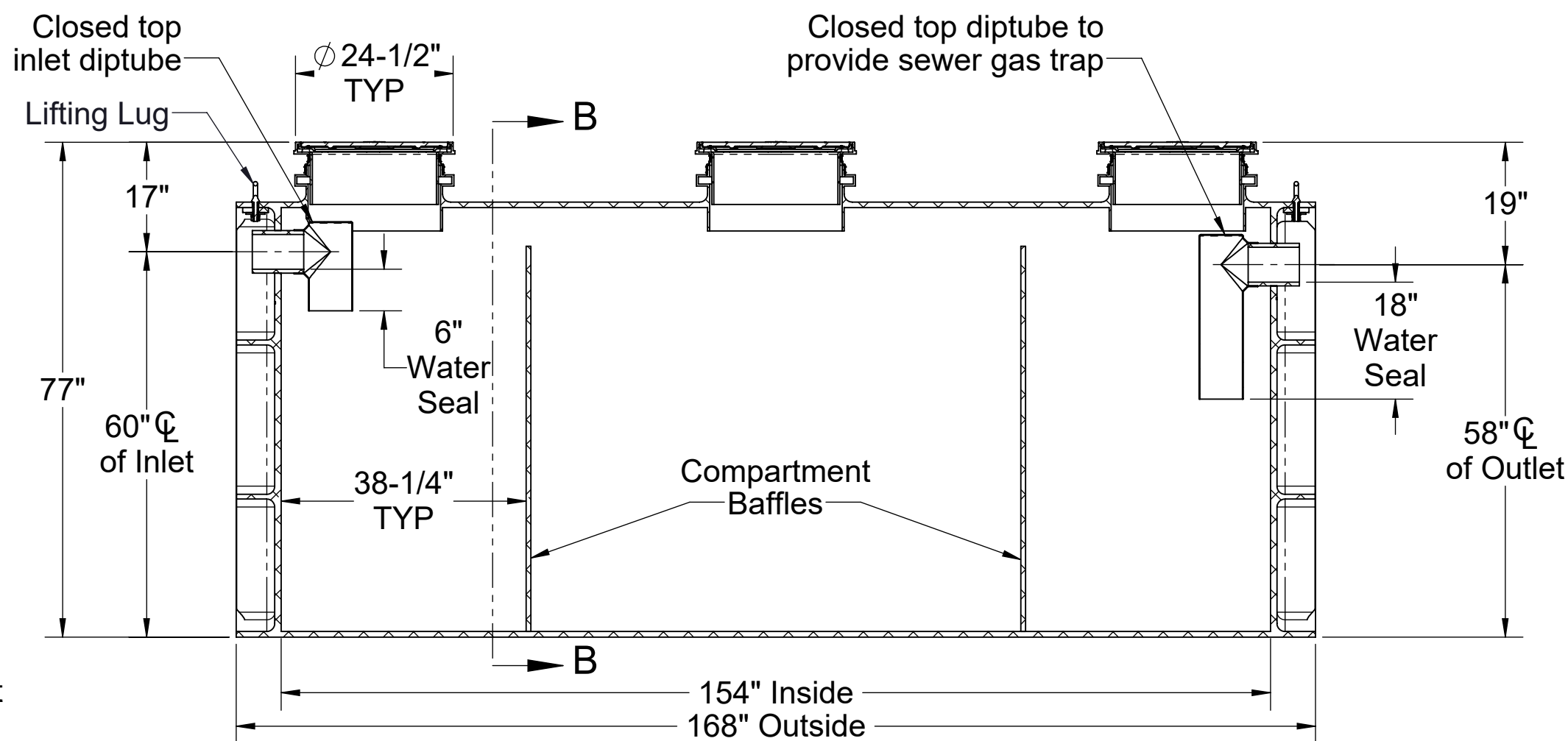
**Additional Options**

- HDK-7**: High Water Table Hold Down Kit
- C24-HP** (3): H2O Rated Pickable Cast Iron Covers
- SS**: Slick Stick™ Oil Level Monitoring System\*

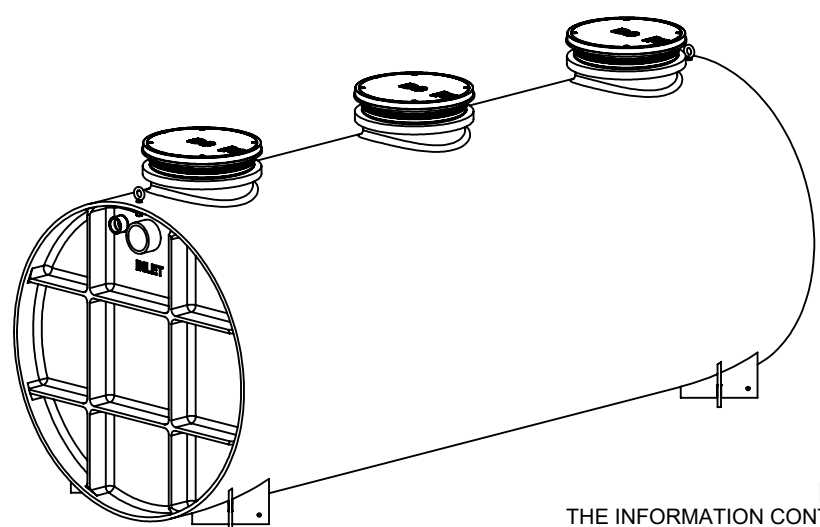
\*Monitoring system will raise covers by 3".



**SECTION B-B**



**SECTION A-A**



**PO IS NON-CANCELABLE ORDER IS NON-RETURNABLE**

**PROPRIETARY AND CONFIDENTIAL**  
THE INFORMATION CONTAINED IN THIS DRAWING IS THE SOLE PROPERTY OF STRIEM, LLC. ANY REPRODUCTION IN PART OR AS A WHOLE WITHOUT THE WRITTEN PERMISSION OF STRIEM, LLC. IS PROHIBITED.

**MODEL NUMBER:** FLI-2000

**DESCRIPTION:**  
POLYETHYLENE  
FLAMMABLE LIQUID INTERCEPTOR  
2000 GALLON CAPACITY  
UNRATED

**DWG BY:** ENG    **DATE:** 1/23/2025    **REV:** 1

**SPECIFICATION SHEET**

Striem  
Kansas City, KS  
Tel: 913-222-1500  
orders@striemco.com  
www.striemco.com

Made in the U.S.A

