

SPECIFICATIONS

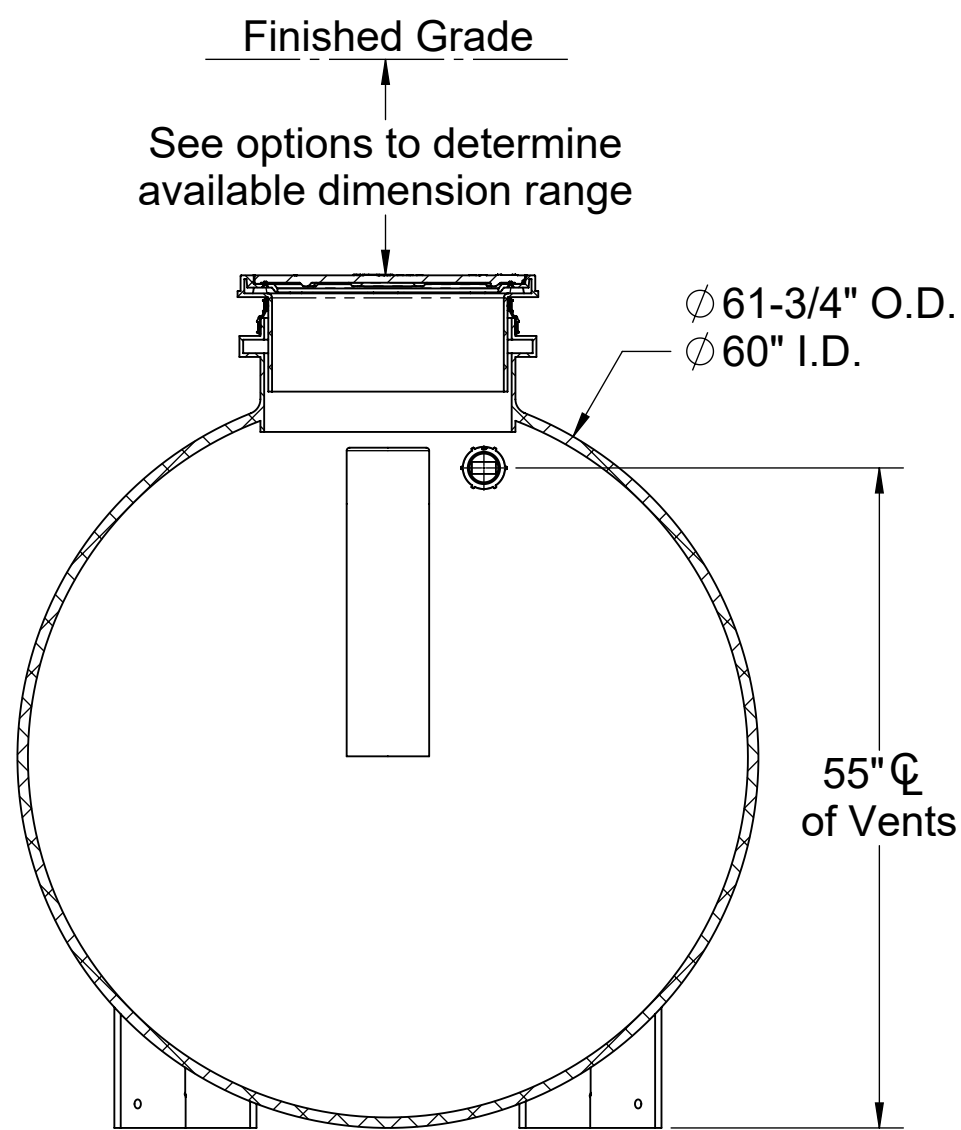
1. 6" Plain End inlet/outlet shown, 3" Plain End vents, C24-H cover standard.
2. Liquid capacity: 500 Gallons (66 cu.ft.).
3. Flammable liquid capacity: 177 Gallons.
4. Solids capacity: 259 Gallons.
5. Unit weight w/ standard cover: 800 lbs.; w/ cast iron cover: 860 lbs.
6. Maximum operating temperature 140°F continuous.

NOTES

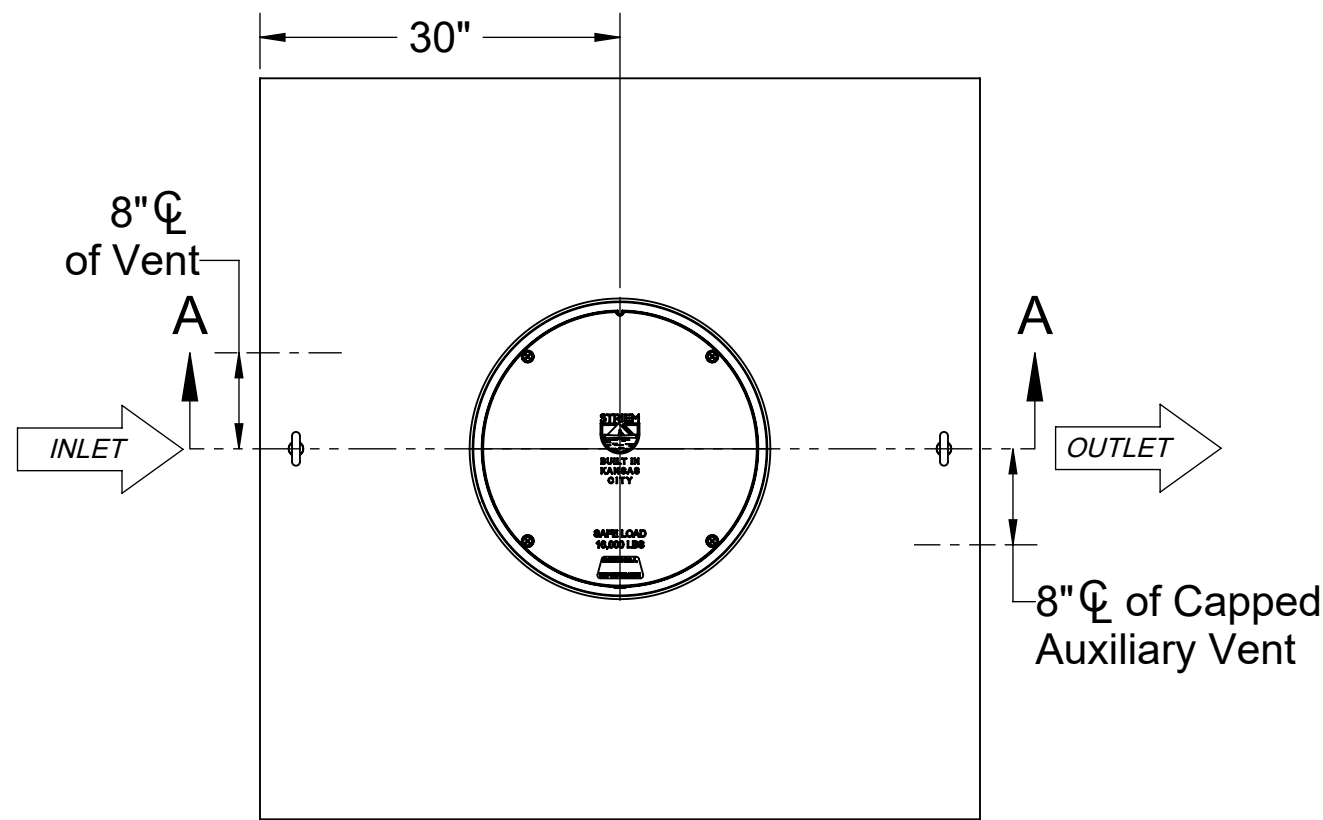
1. For gravity drainage applications only.
2. Do not use for pressure applications.
3. Capped auxiliary vent provided to allow flexibility with vent piping and design. Provided cap can be moved to unused vent location, or discarded if two chamber vents are required per local code.
4. Cover placement allows full access to tank for proper maintenance.
5. Lifting lug set for easy install.
6. For below-grade installation only.
7. Maximum burial depth: 106" from standard cover height.

ENGINEER SPECIFICATION GUIDE

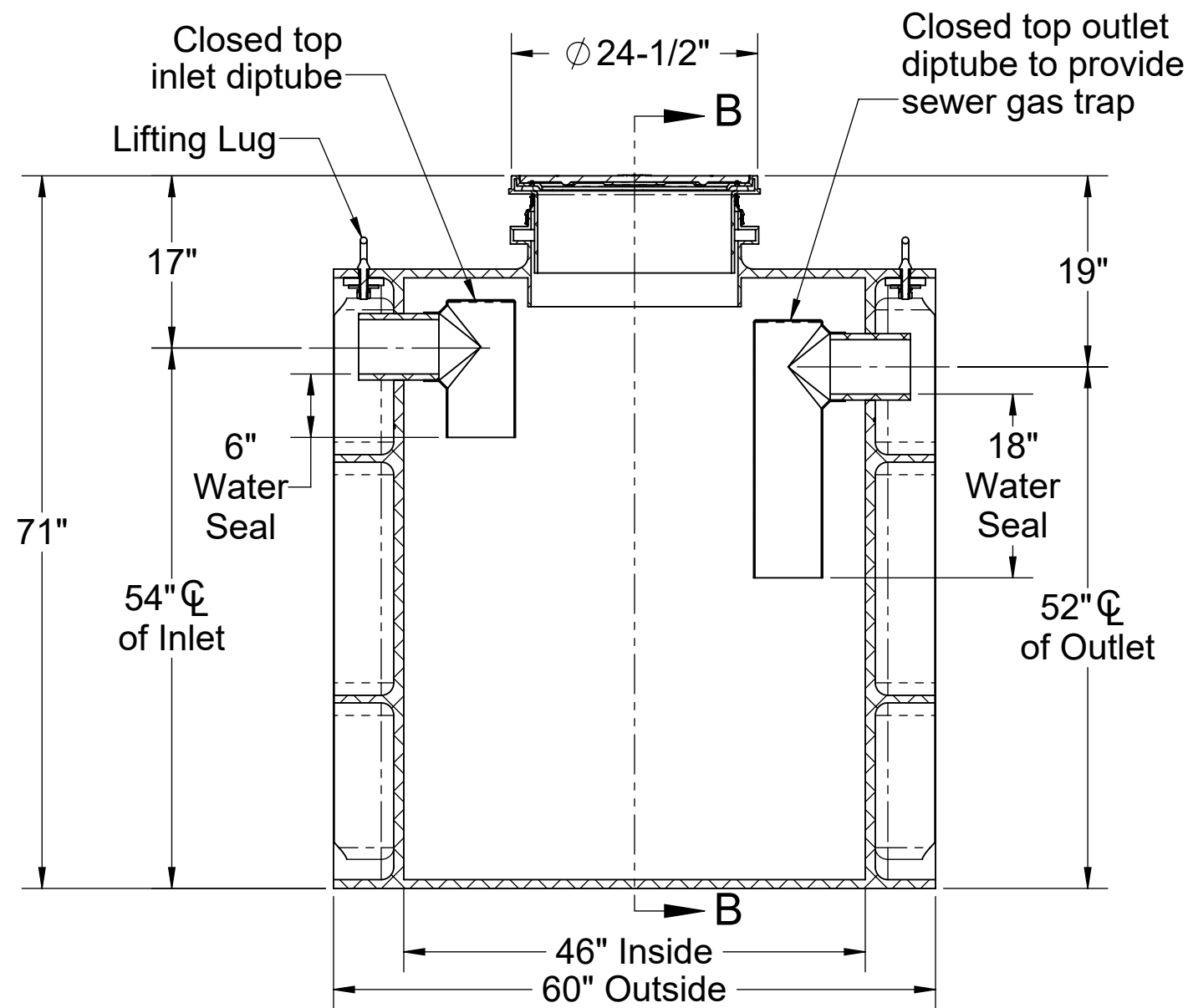
Striem flammable liquid interceptor model FLI-500 shall be lifetime guaranteed and made in the USA. Interceptor shall be constructed of polyethylene with 7/8" nominal wall thickness. Interceptor shall be manufactured for below-grade installation. Field-adjustable riser system is available as an option to bring manhole cover to grade. Interceptor liquid holding capacity shall be 500 gallons and flammable liquid capacity shall be 177 gallons. Solids capacity shall be 259 gallons. Cover shall provide water/gas-tight seal and have a maximum 16,000 lbs. load capacity.



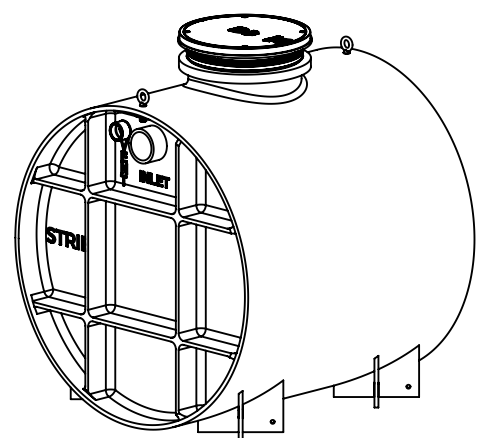
SECTION B-B



TOP VIEW



SECTION A-A



PO IS NON-CANCELABLE
ORDER IS NON-RETURNABLE

PROPRIETARY AND CONFIDENTIAL
THE INFORMATION CONTAINED IN THIS DRAWING IS THE SOLE PROPERTY OF STRIEM, LLC.
ANY REPRODUCTION IN PART OR AS A WHOLE WITHOUT THE WRITTEN PERMISSION OF STRIEM, LLC. IS PROHIBITED.

OPTIONS

Connection Options (Plain End Only)

Size

- 4"
- 6"
- 8"

SELECTION
REQUIRED

Riser Options

From Factory: Up to 5"

- Up to 24": SR24
- Up to 39": LR24
- Up to 43": SR24 (2)
- Up to 58": SR24 + LR24
- Up to 72": LR24 (2)
- Up to 90": SR24 + LR24 (2)
- Up to 106": LR24 (3)

- OR -

- CPRK: 11" - 106" (See specification for more detail.)

Additional Options

- HDK-8: High Water Table Hold Down Kit
- C24-HP: H2O Rated Pickable Cast Iron Cover
- SS: Slick Stick™ Oil Level Monitoring Solution*

*Monitoring system will raise cover by 3"

MODEL NUMBER: FLI-500

DESCRIPTION:
POLYETHYLENE
FLAMMABLE LIQUID INTERCEPTOR
500 GALLON CAPACITY
UNRATED

DWG BY: ENG **DATE:** 1/24/2025 **REV:** 1

SPECIFICATION SHEET

Striem
Kansas City, KS
Tel: 913-222-1500
orders@striemco.com
www.striemco.com

Made in the U.S.A

