

**SPECIFICATIONS**

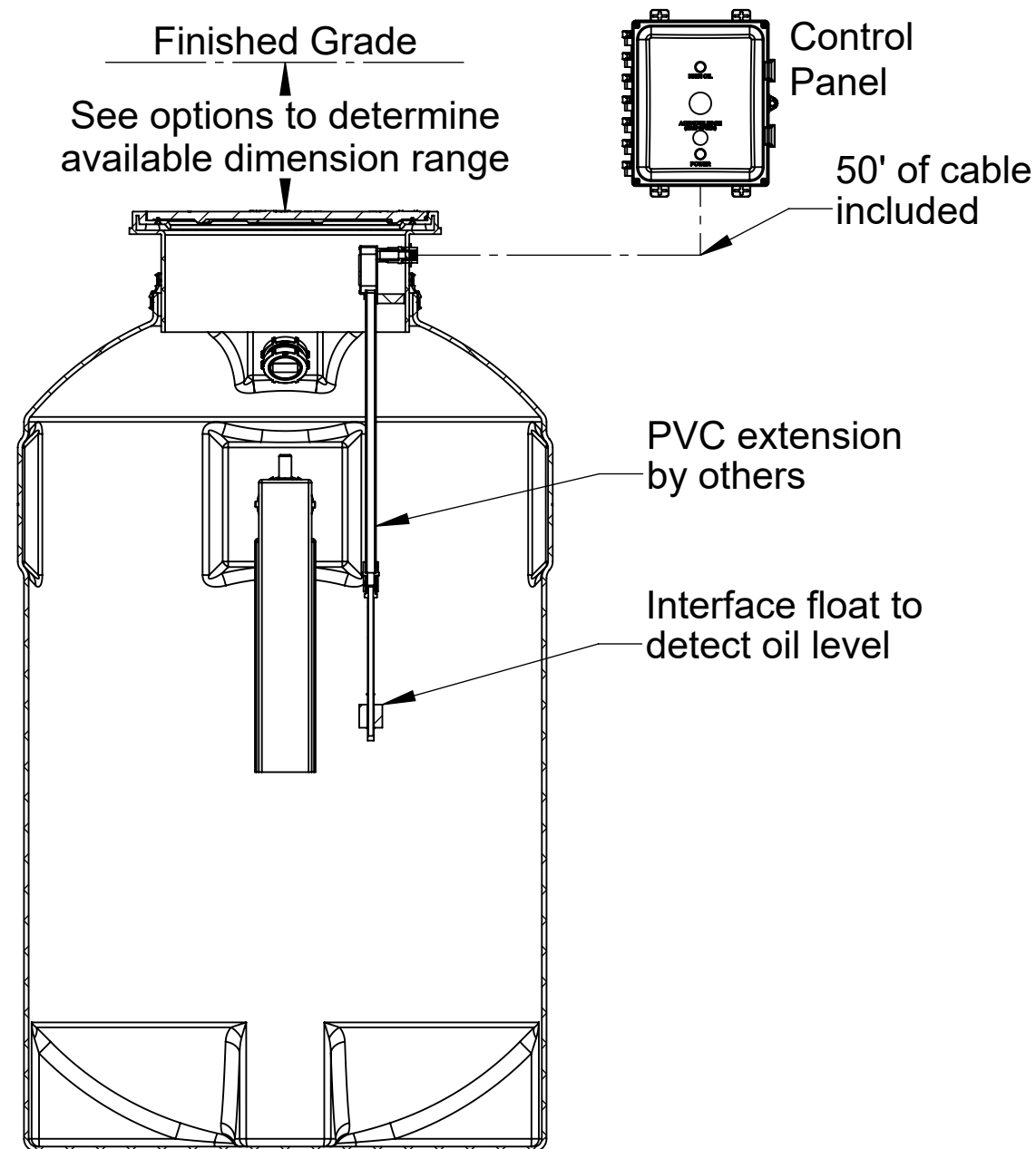
1. 4" Plain End inlet/outlet, 3" Plain End vents, C24-H cover standard.
2. Liquid capacity: 262 Gallons (35 cu. ft.).
3. Solids capacity: 145 Gallons (19.4 cu. ft.).
4. Flammable waste capacity: 105 Gallons (14 cu. ft.).
5. Unit weight w/ standard cover: 175 lbs.; w/ cast iron cover: 235 lbs.
6. Maximum operating temperature 140°F continuous.
7. Slick Stick Oil Level Monitoring System.

**Notes**

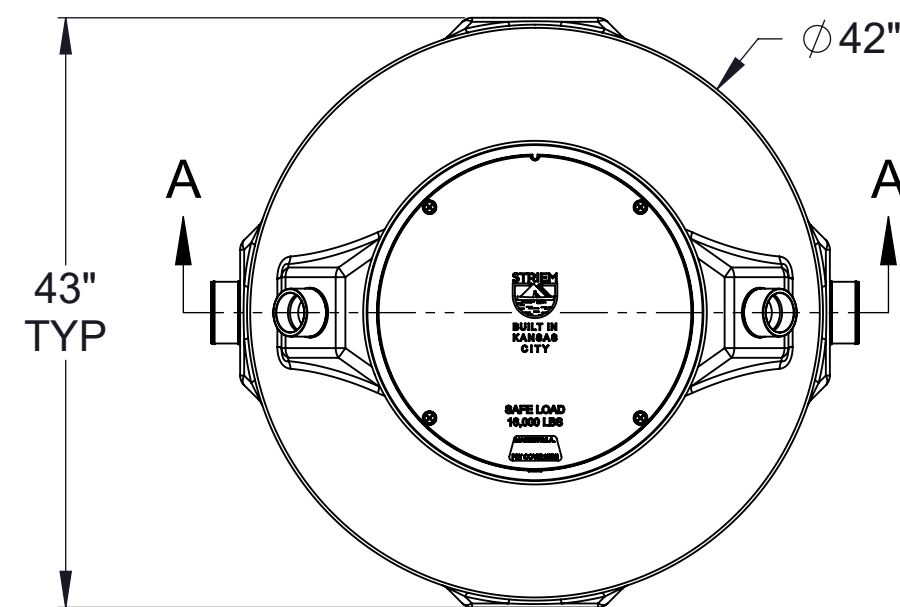
1. For gravity drainage applications only.
2. Do not use for pressure applications.
3. Capped auxiliary vent provided to allow flexibility with vent piping and design. Provided cap can be moved to unused vent location, or discarded if two chamber vents are required per local code.
4. Cover placement allows full access to tank for proper maintenance.
5. Diptubes are removable to inspect/clean piping
6. Minimum burial depth: 12"
7. Maximum burial depth: 90"

**ENGINEER SPECIFICATION GUIDE**

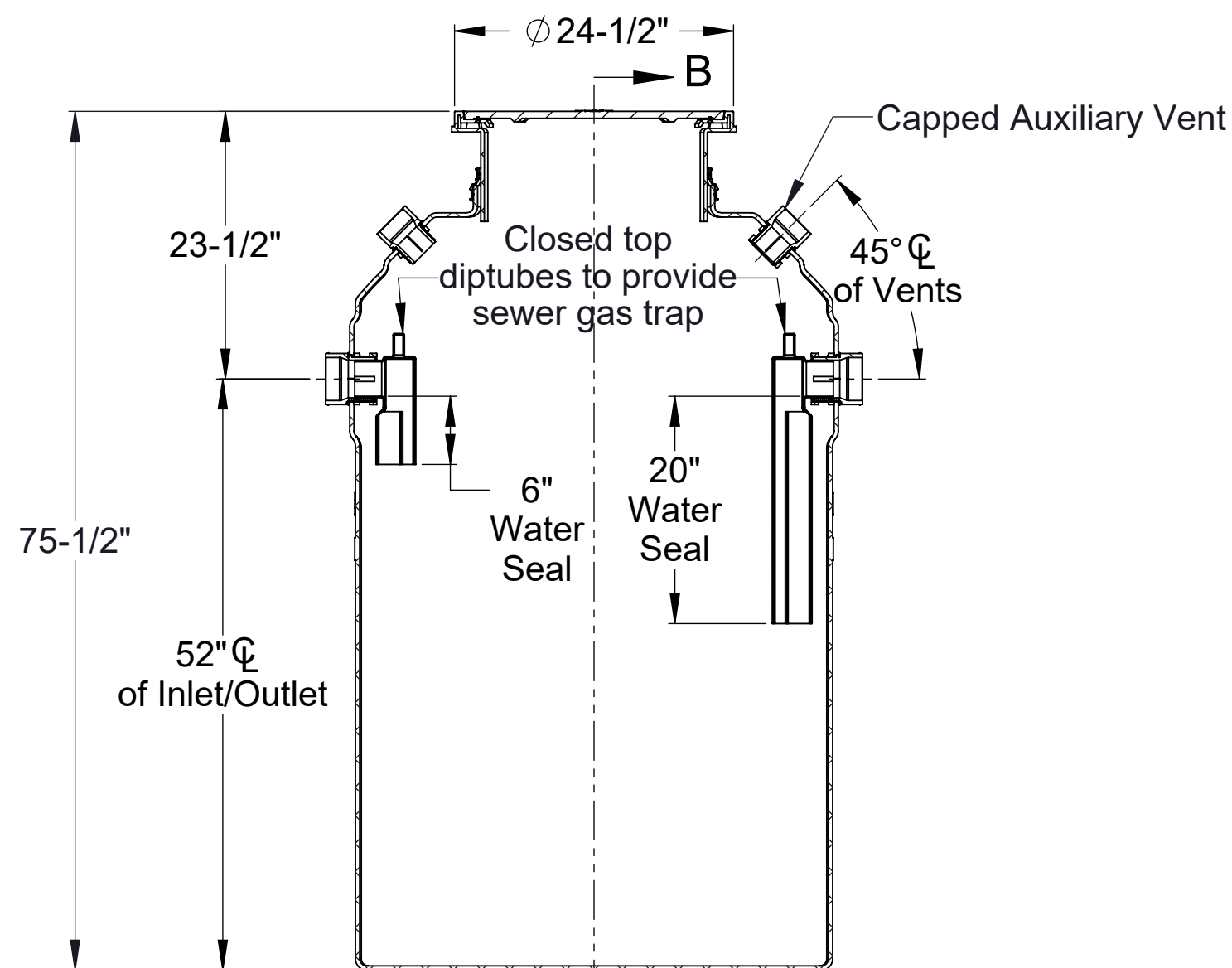
Striem flammable waste trap model FWT-35-SS shall be lifetime guaranteed and made in the USA. FWT-35-SS shall be constructed of polyethylene. FWT-35-SS shall be manufactured for above- or below-grade installation. Field-adjustable riser system is available as an option to bring manhole cover to grade. FWT-35-SS liquid holding capacity shall be 262 gallons and flammable waste capacity shall be 105 gallons. Solids capacity shall be 145 gallons. Cover shall provide water/gas-tight seal and have a maximum 16,000 lbs. load capacity.



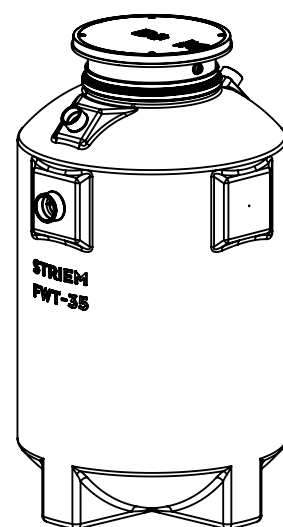
**SECTION B-B**



**TOP VIEW**



**SECTION A-A**



OPTIONS	
<b>Connection Options (Plain End Only)</b>	
<b>Inlet / Outlet</b>	
<input type="checkbox"/> 4"	
<input type="checkbox"/> 6"	
<b>Riser Options</b>	
<b>Minimum Burial Depth: 9"</b>	
<input type="checkbox"/> Up to 21": SR24	
<input type="checkbox"/> Up to 36": LR24	
<input type="checkbox"/> Up to 40": SR24 (2)	
<input type="checkbox"/> Up to 55": SR24 + LR24	
<input type="checkbox"/> Up to 69": LR24 (2)	
<input type="checkbox"/> Up to 87": SR24 + LR24 (2)	
<b>- OR -</b>	
<input type="checkbox"/> CPRK: 11" - 87" (See specification for more detail.)	
<b>Additional Options</b>	
<input type="checkbox"/> C24-HP: H20 Rated Pickable Cast Iron Cover	
<input type="checkbox"/> HDK-10: High Water Table Hold Down Kit	

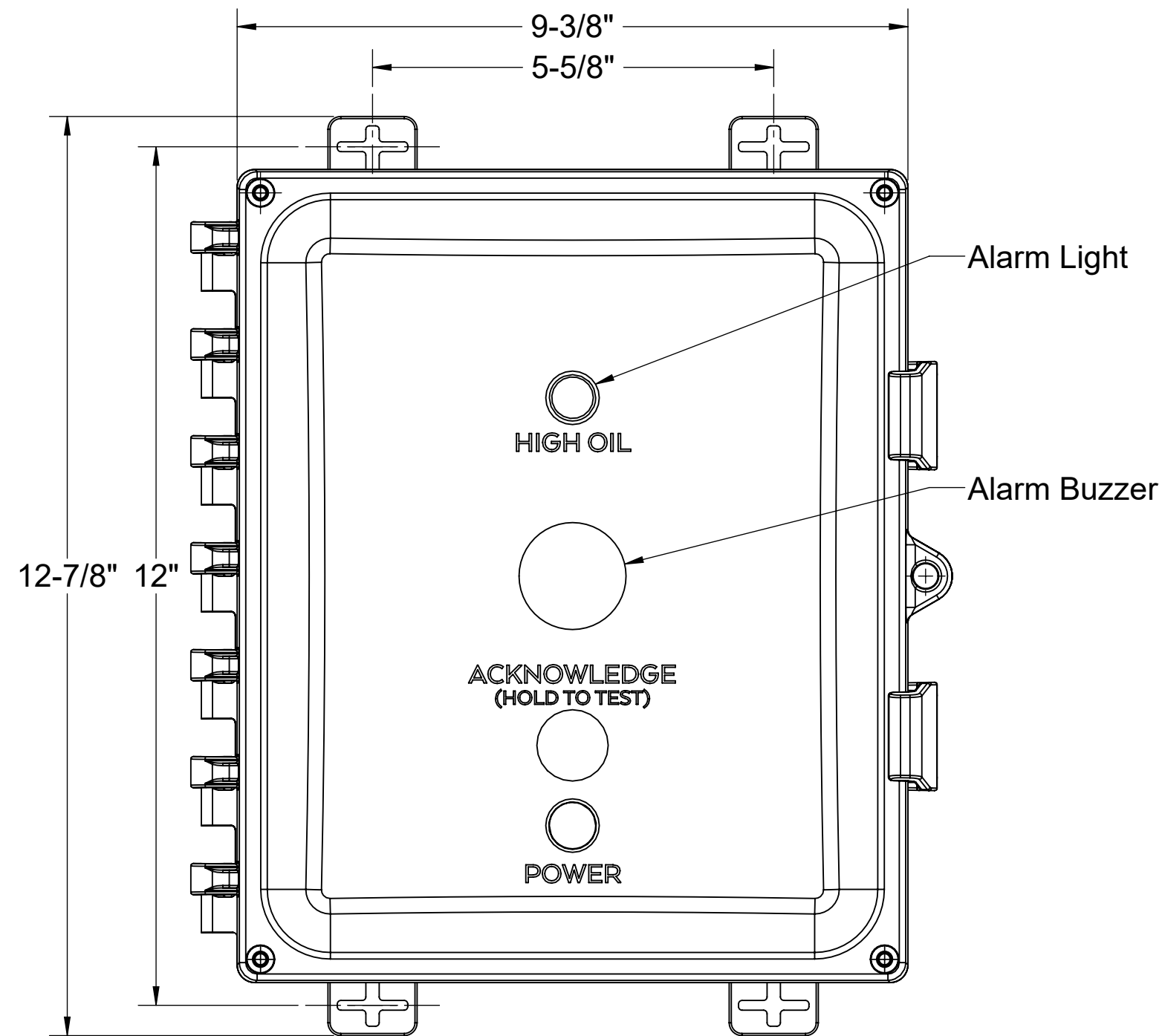
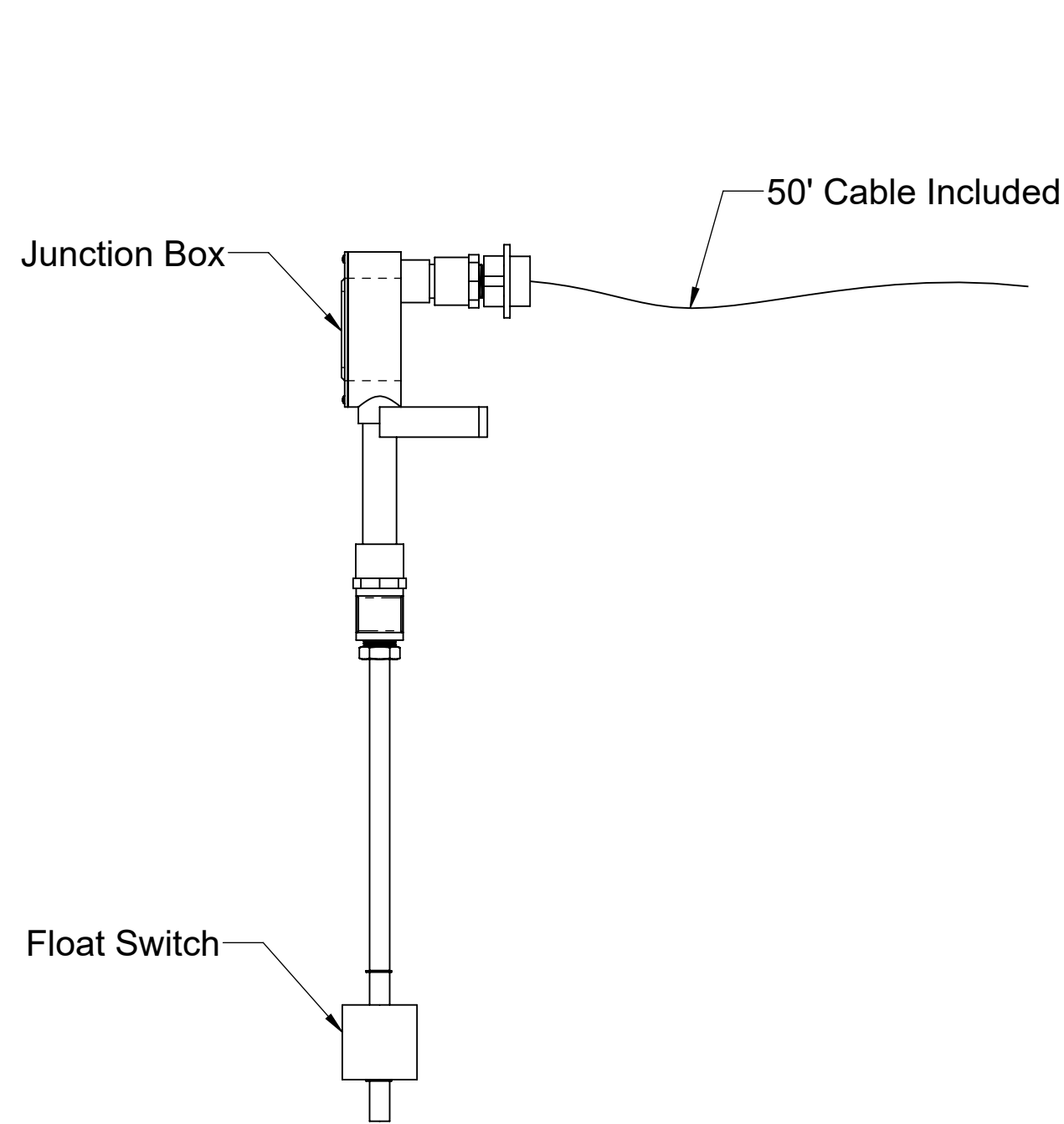
<b>MODEL NUMBER:</b>	FWT-35-SS
<b>DESCRIPTION:</b>	35 CUBIC FEET POLYETHYLENE FLAMMABLE WASTE TRAP WITH SLICK STICK™ OIL LEVEL MONITORING SYSTEM, UNRATED
<b>DWG BY:</b>	ENG
<b>DATE:</b>	1/23/2025
<b>REV:</b>	1

<b>SPECIFICATION SHEET</b>	
Striem Kansas City, KS Tel: 913-222-1500 orders@striemco.com www.striemco.com	
Made in the U.S.A	

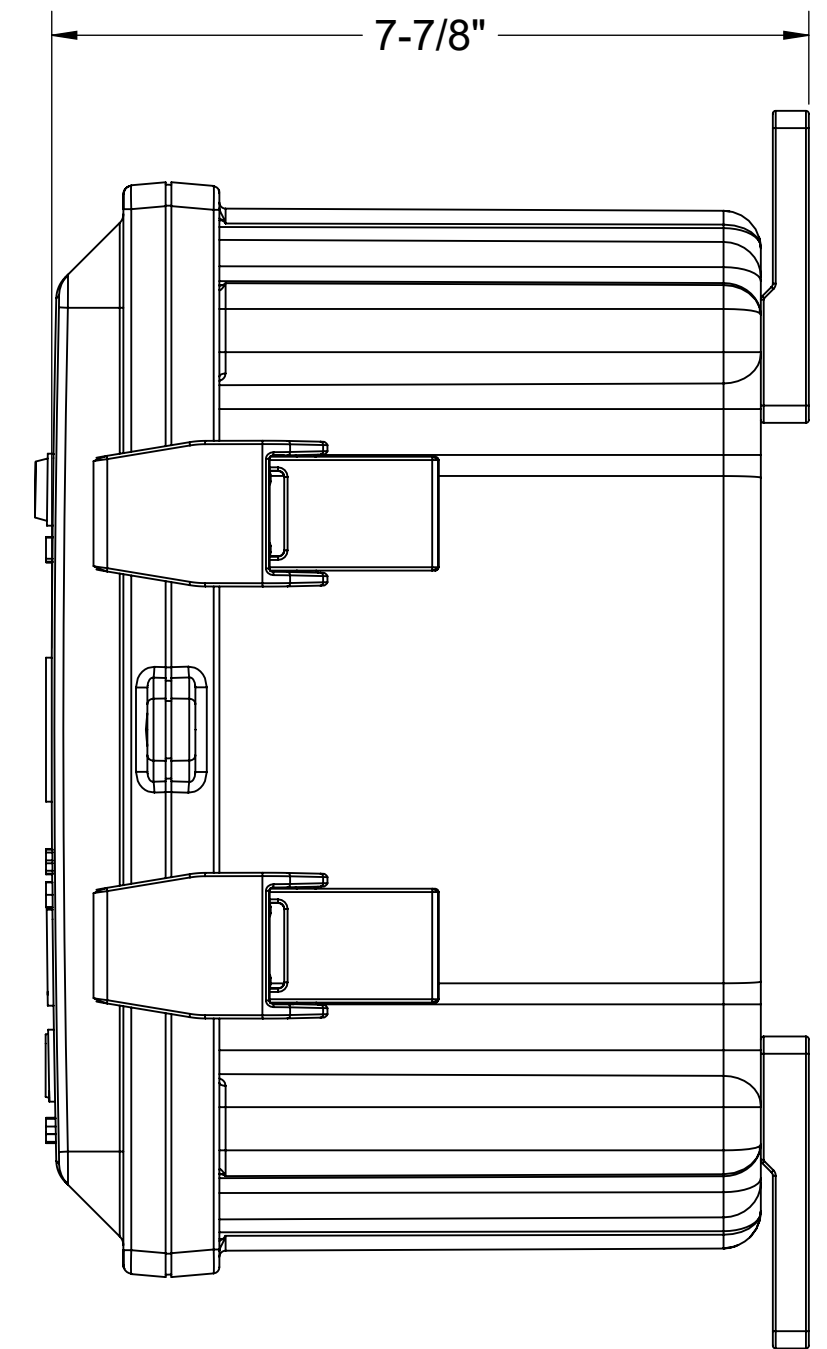
**PROPRIETARY AND CONFIDENTIAL**  
 THE INFORMATION CONTAINED IN THIS DRAWING IS THE SOLE PROPERTY OF STRIEM, LLC.  
 ANY REPRODUCTION IN PART OR AS A WHOLE WITHOUT THE WRITTEN PERMISSION OF STRIEM, LLC. IS PROHIBITED.

**SPECIFICATIONS**

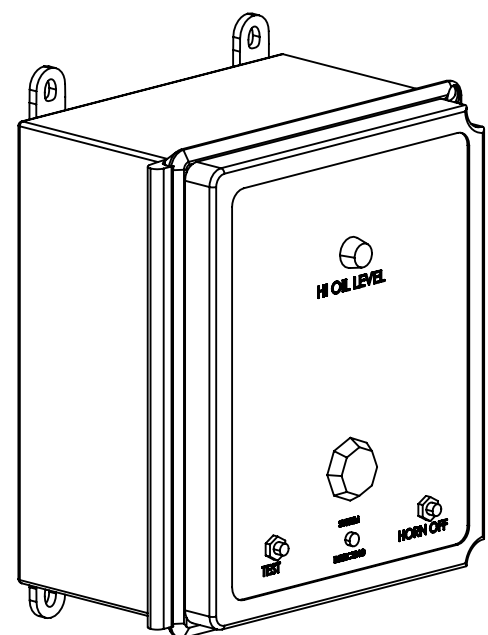
1. UL Listed.
2. Provides warning of high oil level conditions with interface float.
3. Single phase, 120 volt, 60 hertz power required.
4. NEMA 4X fiberglass, corrosion resistant, weatherproof enclosure suitable for outdoor use and damp environments.
5. Audible Alarm Buzzer, 95dB pulsing horn with no timeout.
6. High Oil Light, indicates oil has accumulated below the oil interface float or the tank liquid level is below the High Oil Interface Float.
7. Power On light inside enclosure. Visible from the outside. Green light indicates the power is on.
8. Horn off button that silences the audible alarm when pressed.
9. Test button that when pressed will test the system electronics.
10. Locking clasp on door.
11. Alarm bell stays on until reset. Light stays on until reset, even if level goes down.
12. Unit comes supplied with extra dry contact for connection to a building alarm system.



**FRONT VIEW**



**SIDE VIEW**



**PROPRIETARY AND CONFIDENTIAL**  
 THE INFORMATION CONTAINED IN THIS DRAWING IS THE SOLE PROPERTY OF STRIEM, LLC.  
 ANY REPRODUCTION IN PART OR AS A WHOLE WITHOUT THE WRITTEN PERMISSION OF STRIEM, LLC. IS PROHIBITED.

<b>MODEL NUMBER:</b> SS		<b>SPECIFICATION SHEET</b>	
<b>DESCRIPTION:</b> SLICK STICK™ OIL LEVEL MONITORING SYSTEM			
<b>DWG BY:</b> ENG	<b>DATE:</b> 11/20/2024	<b>REV:</b> 1	Striem Kansas City, KS Tel: 913-222-1500 orders@striemco.com www.striemco.com  Made in the U.S.A