

SPECIFICATIONS

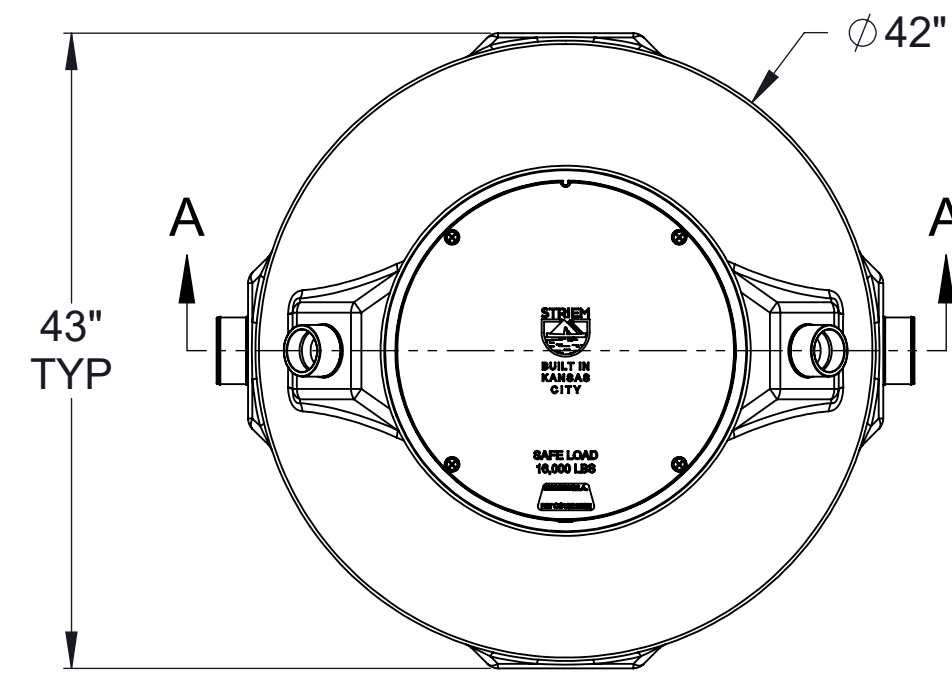
1. 4" Plain End inlet/outlet, 3" Plain End vents, C24-H cover standard.
2. Liquid capacity: 262 Gallons (35 cu. ft.).
3. Solids capacity: 145 Gallons (19.4 cu. ft.).
4. Flammable waste capacity: 105 Gallons (14 cu. ft.).
5. Unit weight w/ standard cover: 175 lbs.; w/ cast iron cover: 235 lbs.
6. Maximum operating temperature 140°F continuous.

NOTES

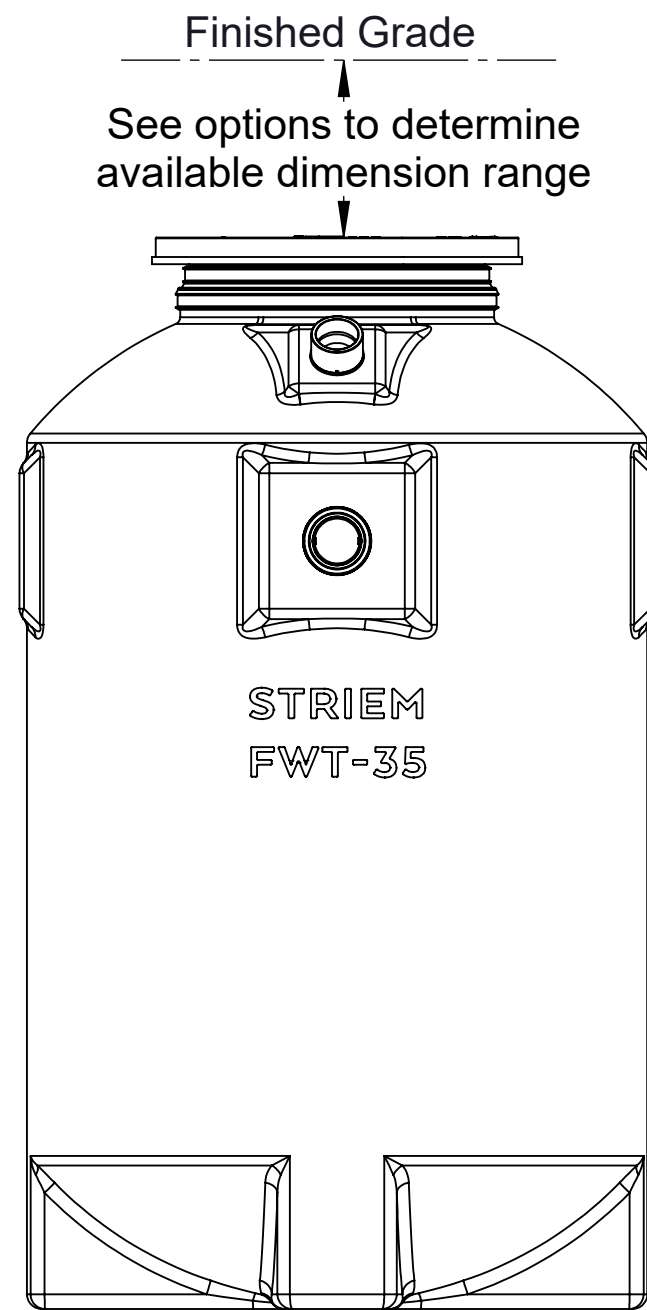
1. For gravity drainage applications only.
2. Do not use for pressure applications.
3. Capped auxiliary vent provided to allow flexibility with vent piping and design. Provided cap can be moved to unused vent location, or discarded if two chamber vents are required per local code.
4. Cover placement allows full access to tank for proper maintenance
5. Diptubes are removable to inspect/clean piping
6. Minimum burial depth: 12"
7. Maximum burial depth: 90"

ENGINEER SPECIFICATION GUIDE

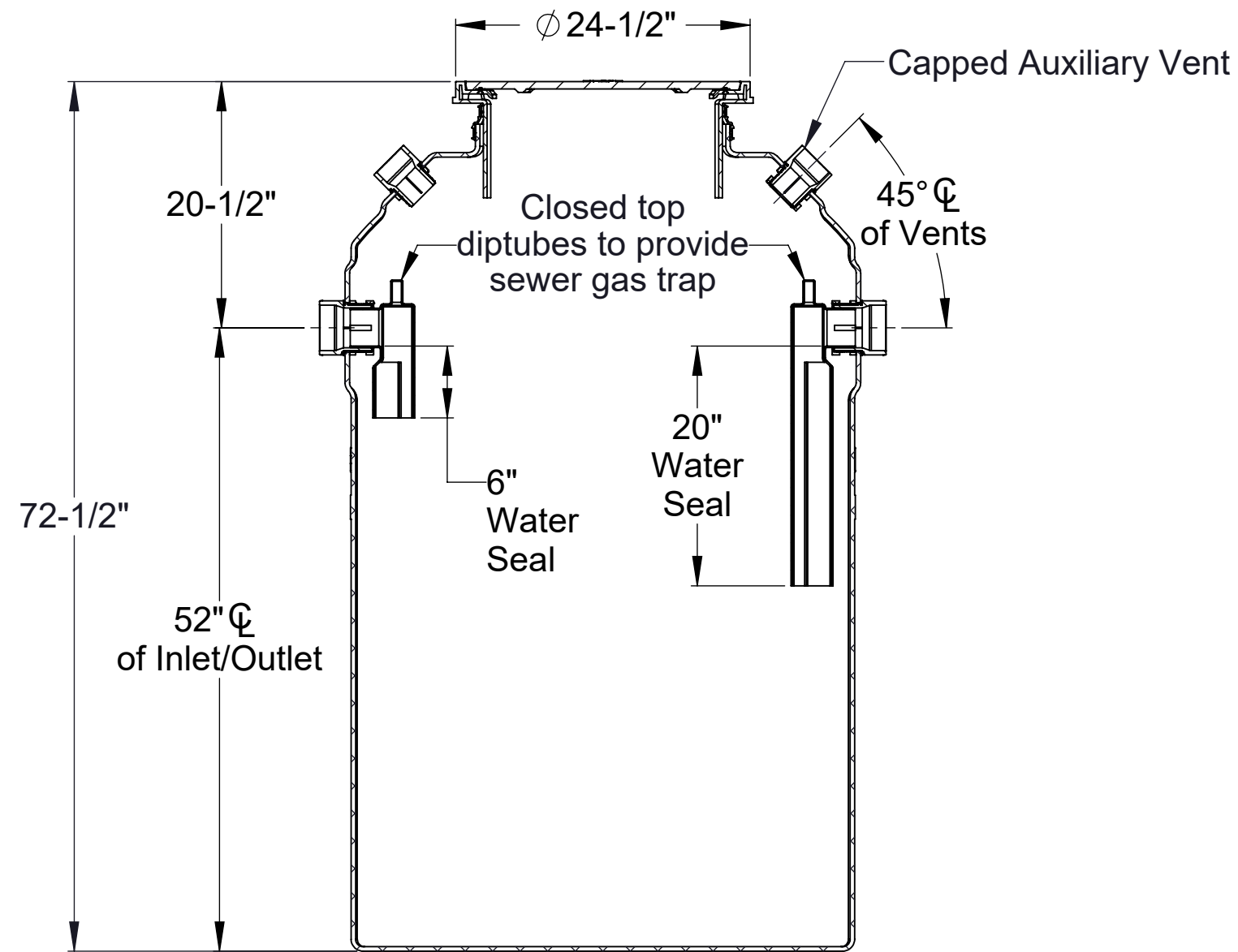
Striem flammable waste trap model FWT-35 shall be lifetime guaranteed and made in the USA. FWT-35 shall be constructed of polyethylene. FWT-35 shall be manufactured for above- or below-grade installation. Field-adjustable riser system is available as an option to bring manhole cover to grade. FWT-35 liquid holding capacity shall be 262 gallons and flammable waste capacity shall be 105 gallons. Solids capacity shall be 145 gallons. Cover shall provide water/gas-tight seal and have a maximum 16,000 lbs. load capacity.



TOP VIEW



END VIEW



SECTION A-A

OPTIONS

Connection Options (Plain End Only)

Inlet / Outlet

- 4"
- 6"

Riser Options

Minimum Burial Depth: 12"

- Up to 24": **SR24**
- Up to 39": **LR24**
- Up to 43": **SR24 (2)**
- Up to 58": **SR24 + LR24**
- Up to 72": **LR24 (2)**
- Up to 90": **SR24 + LR24 (2)**

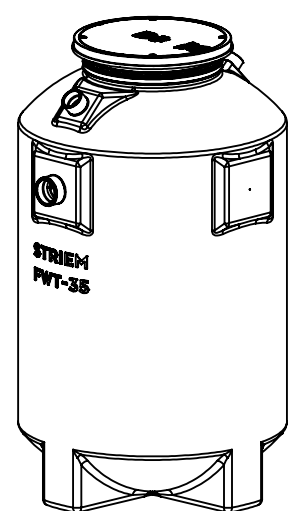
- OR -

- CPRK: 12" - 90"** (See specification for more detail.)

Additional Options

- C24-HP: H20 Rated Pickable Cast Iron Cover**
- HDK-10: High Water Table Hold Down Kit**
- SS: Slick Stick™ Oil Level Monitoring System***

*Monitoring package will raise cover by 3"



PROPRIETARY AND CONFIDENTIAL
THE INFORMATION CONTAINED IN THIS DRAWING IS THE SOLE PROPERTY OF STRIEM, LLC. ANY REPRODUCTION IN PART OR AS A WHOLE WITHOUT THE WRITTEN PERMISSION OF STRIEM, LLC. IS PROHIBITED.

MODEL NUMBER: FWT-35

DESCRIPTION:
35 CUBIC FEET POLYETHYLENE
FLAMMABLE WASTE TRAP,
UNRATED

DWG BY: ENG **DATE:** 1/23/2025 **REV:** 1

SPECIFICATION SHEET

Striem
Kansas City, KS
Tel: 913-222-1500
orders@striemco.com
www.striemco.com

Made in the U.S.A

