

**SPECIFICATIONS**

1. 4" Plain End inlet/outlet, 2" Plain End vents standard.
2. Liquid holding capacity: 110 Gallons.
3. Unit weight: 120 lbs.
4. Maximum operating temperature 140°F continuous.

**NOTES**

1. For gravity drainage applications only.
2. Do not use for pressure applications.
3. Capped auxiliary vent provided to allow flexibility with vent piping and design. Provided cap can be moved to unused vent location, or discarded if two chamber vents are required per local code.
4. Cover placement allows full access to tank for proper maintenance.
5. Diptube is removable to inspect/clean piping.
6. Maximum burial depth: 72" from standard cover height.

**ENGINEER SPECIFICATION GUIDE**

Striem neutralization tank model LB-125 shall be lifetime guaranteed and made in the USA. Tank shall be constructed of polyethylene. Tank shall be manufactured for above- or below-grade installation. Field-adjustable riser system is available as an option to bring manhole cover to grade. Tank liquid holding capacity shall be 110 gallons. Cover shall provide water/gas-tight seal and have a maximum 16,000 lbs. load capacity.

**OPTIONS**

**Connection Options (Plain End Only)**

**Inlet / Outlet**

- 4"
- 6"

**Riser Options**

**From Factory: Up to 5"**

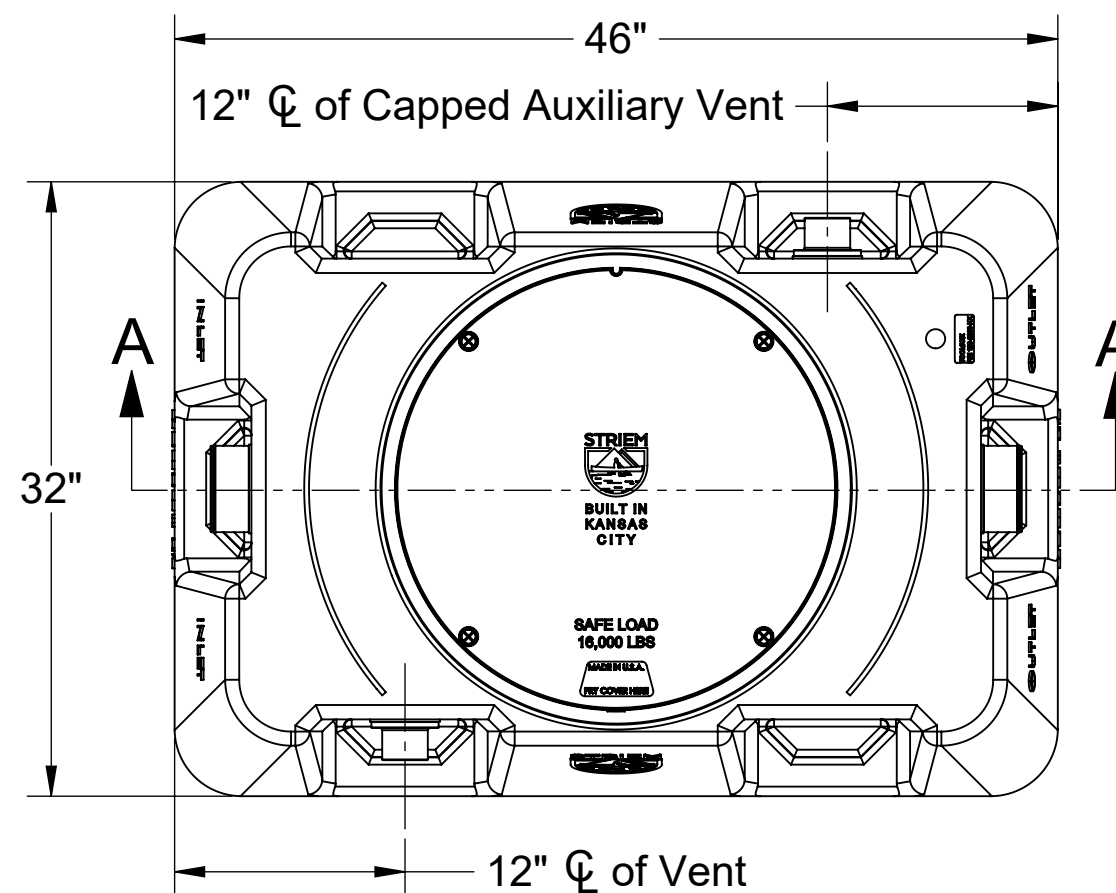
- Up to 24": **SR24**
- Up to 39": **LR24**
- Up to 43": **SR24 (2)**
- Up to 58": **SR24 + LR24**
- Up to 72": **LR24 (2)**

**- OR -**

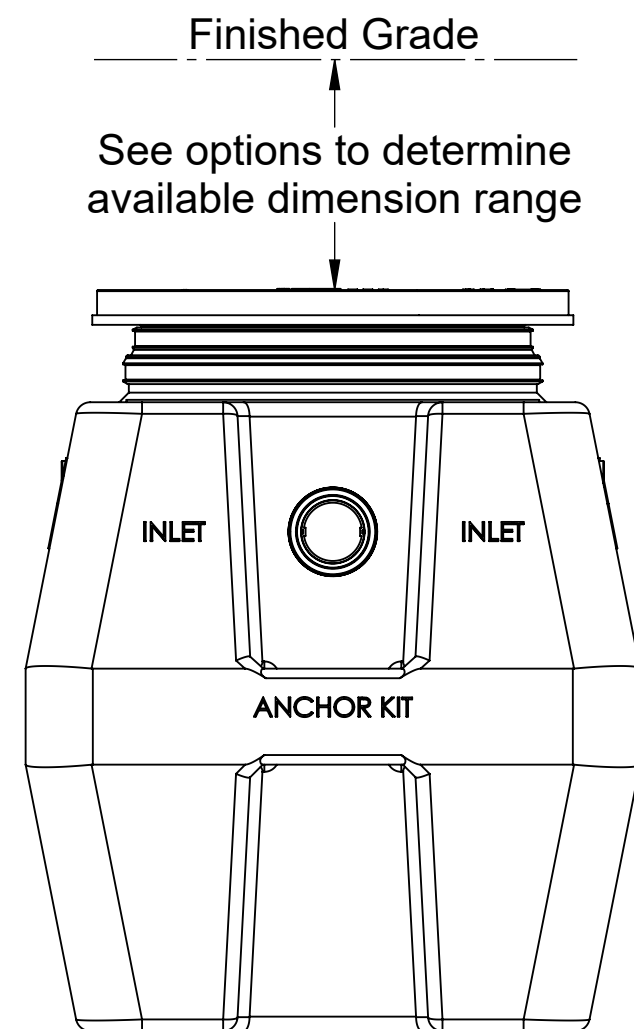
- CPRK: 11" - 72"** (See specification for more detail.)

**Additional Options**

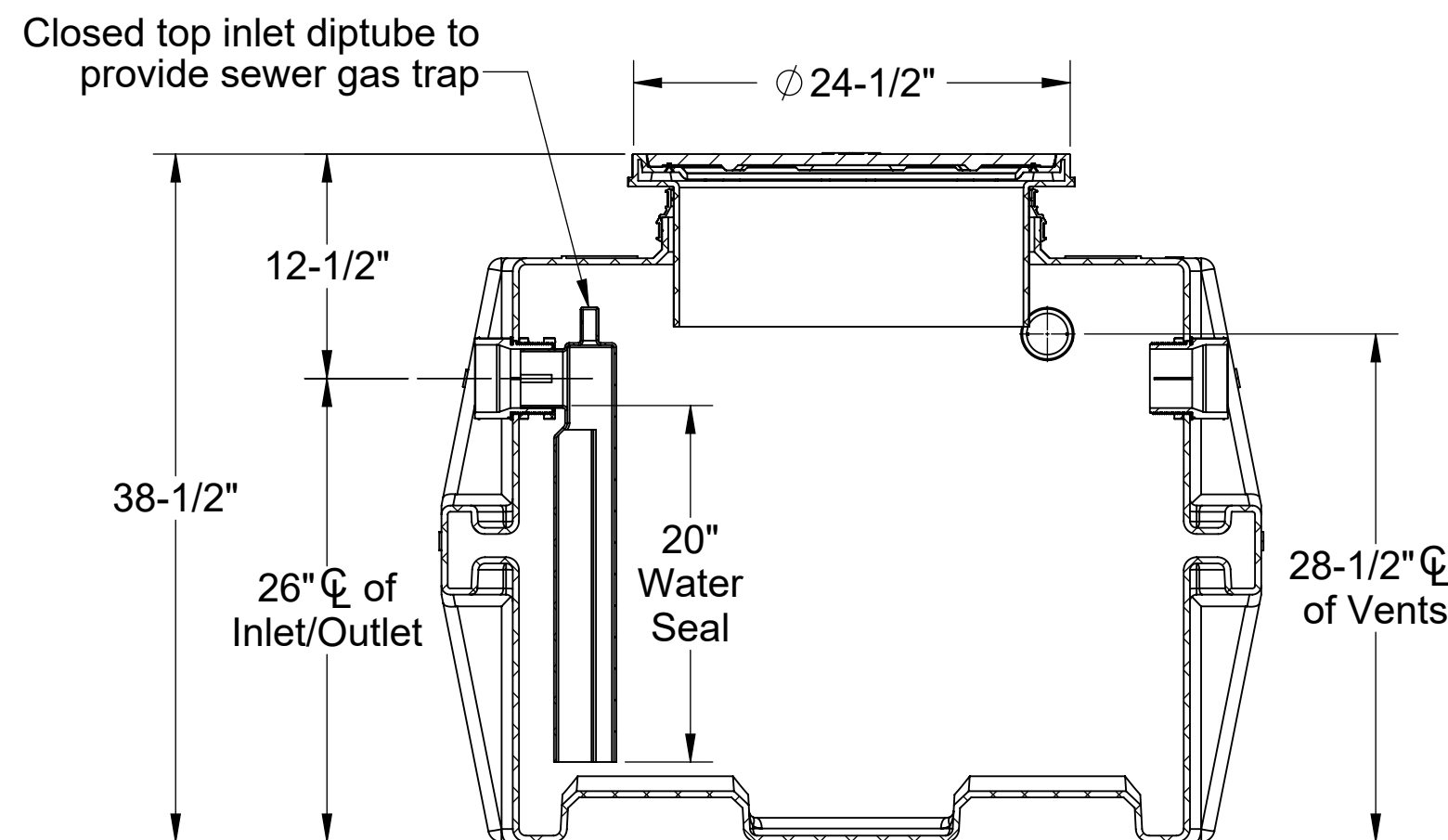
- HDK-2: High Water Table Hold Down Kit**
- CC-1 & SPK: Command Center pH Monitoring Package with Sensor Placement Kit**
- Limestone: 90%+ Calcium Carbonate (1,550 lbs.)**



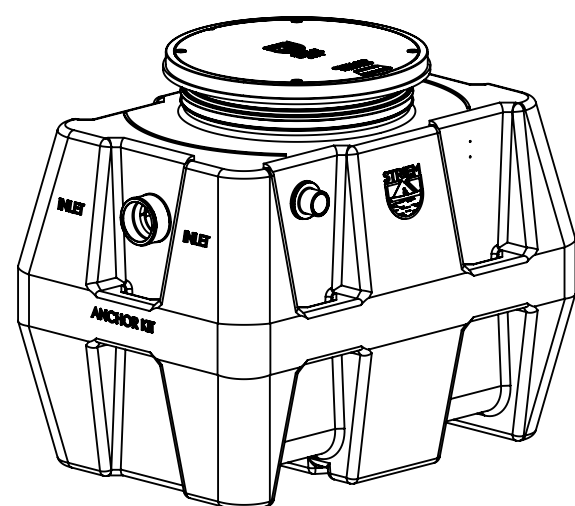
**TOP VIEW**



**END VIEW**



**SECTION A-A**



**PROPRIETARY AND CONFIDENTIAL**  
THE INFORMATION CONTAINED IN THIS DRAWING IS THE SOLE PROPERTY OF STRIEM, LLC. ANY REPRODUCTION IN PART OR AS A WHOLE WITHOUT THE WRITTEN PERMISSION OF STRIEM, LLC. IS PROHIBITED.

<b>MODEL NUMBER:</b>	LB-125
<b>DESCRIPTION:</b>	LAB BASIN™ POLYETHYLENE NEUTRALIZATION TANK
<b>DWG BY:</b>	ENG
<b>DATE:</b>	1/23/2025
<b>REV:</b>	1

**SPECIFICATION SHEET**

Striem  
Kansas City, KS  
Tel: 913-222-1500  
orders@striemco.com  
www.striemco.com

Made in the U.S.A

