

**SPECIFICATIONS**

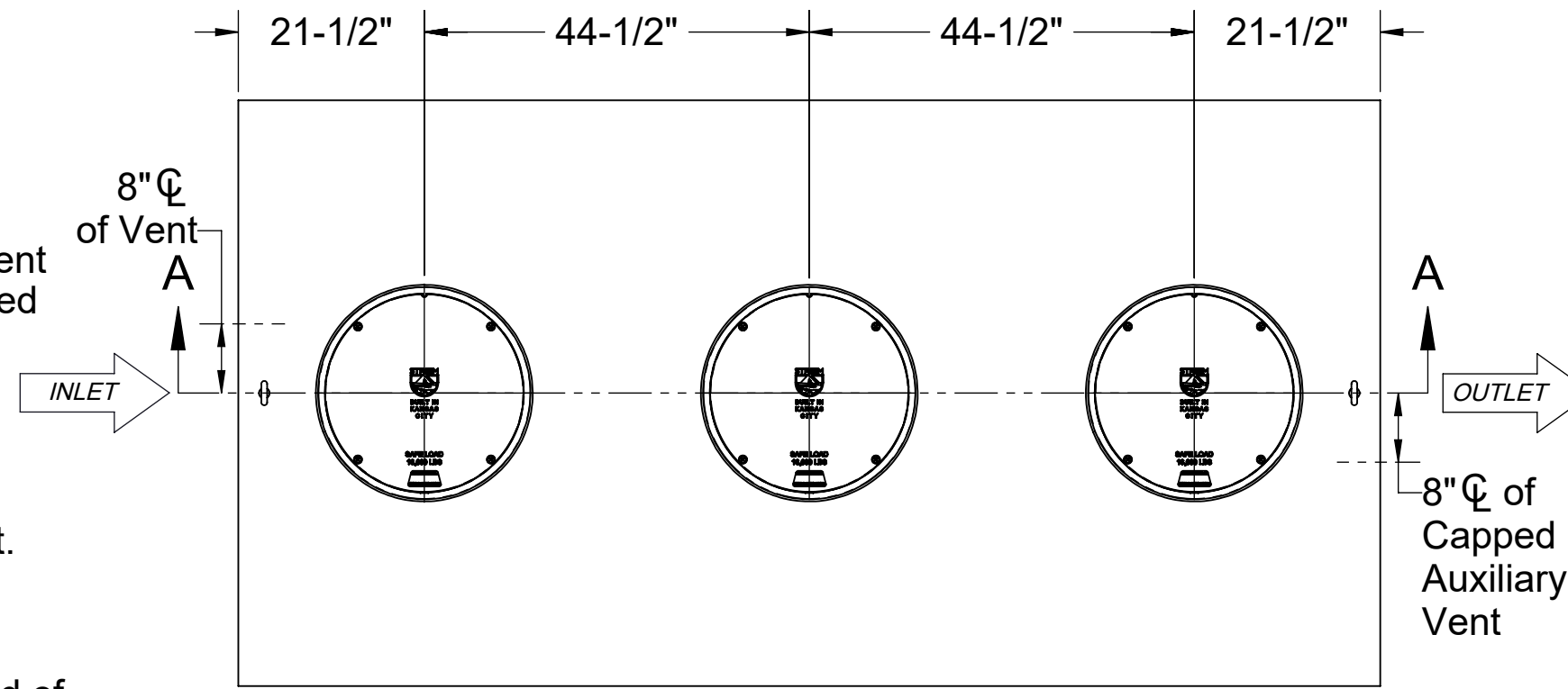
1. 6" Plain End inlet/outlet shown, 3" Plain End vents standard.
2. Liquid capacity: 1500 gallons (201 cu. ft.).
3. Unit weight: 1496 lbs.
4. Maximum operating temperature 140°F continuous.

**NOTES**

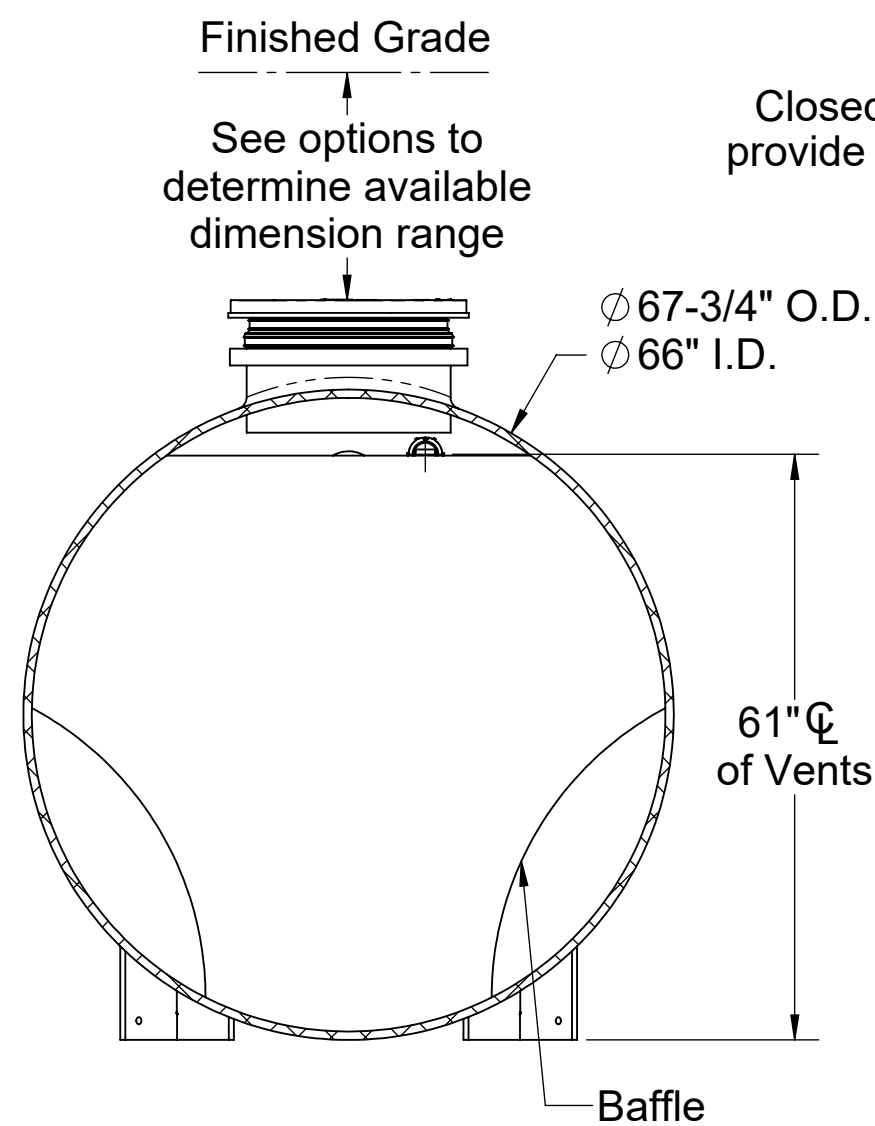
1. For gravity drainage applications only.
2. Do not use for pressure applications.
3. Capped auxiliary vent provided to allow flexibility with vent piping and design. Provided cap can be moved to unused vent location, or discarded if two chamber vents are required per local code.
4. Cover placement allows full access to tank for proper maintenance.
5. Lifting lug set for easy install.
6. Maximum burial depth: 106" from standard cover height.

**ENGINEER SPECIFICATION GUIDE**

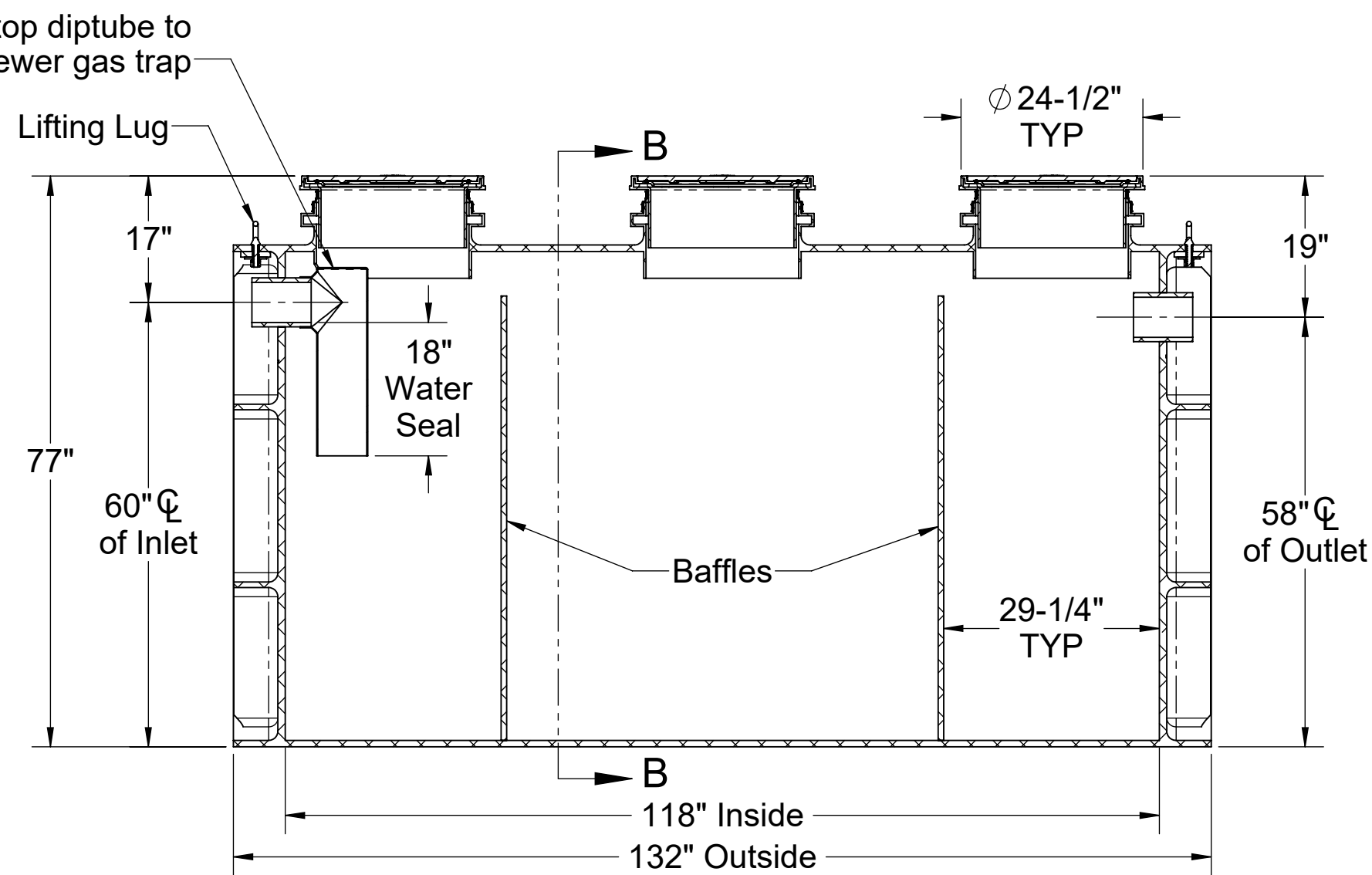
Striem neutralization tank model LB-1500 shall be lifetime guaranteed and made in the USA. Tank shall be constructed of polyethylene with 7/8" nominal wall thickness. Tank shall be manufactured for below-grade installation. Field-adjustable riser system is available as an option to bring manhole cover to grade. Tank liquid holding capacity shall be 1500 gallons. Cover shall provide water/gas-tight seal and have a maximum 16,000 lbs. load capacity.



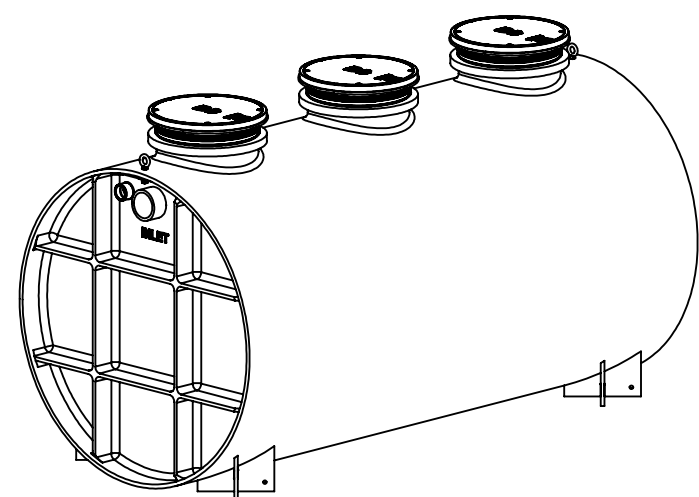
**TOP VIEW**



**SECTION B-B**



**SECTION A-A**



**PO IS NON-CANCELABLE  
ORDER IS NON-RETURNABLE**

**PROPRIETARY AND CONFIDENTIAL**  
THE INFORMATION CONTAINED IN THIS DRAWING IS THE SOLE PROPERTY OF STRIEM, LLC.  
ANY REPRODUCTION IN PART OR AS A WHOLE WITHOUT THE WRITTEN PERMISSION OF STRIEM, LLC. IS PROHIBITED.

**OPTIONS**

**Connection Options (Plain End Only)**

**Inlet / Outlet**

- 4"
- 6"
- 8"

**SELECTION  
REQUIRED**

**Riser Options**

**From Factory: Up to 5"**

- Up to 24": **SR24** (3)
- Up to 39": **LR24** (3)
- Up to 43": **SR24** (6)
- Up to 58": **SR24** (3) + **LR24** (3)
- Up to 72": **LR24** (6)
- Up to 90": **SR24** (3) + **LR24** (6)
- Up to 106": **LR24** (9)

**- OR -**

- CPRK** (3): 11" - 106" (See specification for more detail.)

**Additional Options**

- CC-1 & SPK**: Command Center pH Monitoring Package with Sensor Placement Kit
- HDK-6**: High Water Table Hold Down Kit
- Limestone**: 90%+ Calcium Carbonate (19,500 lbs.)

**MODEL NUMBER:** LB-1500

**DESCRIPTION:**  
LAB BASIN™  
POLYETHYLENE NEUTRALIZATION TANK  
1500 GALLON CAPACITY

**DWG BY:** ENG    **DATE:** 1/24/2025    **REV:** 1

**SPECIFICATION SHEET**

Striem  
Kansas City, KS  
Tel: 913-222-1500  
orders@striemco.com  
www.striemco.com

Made in the U.S.A

