

SPECIFICATIONS

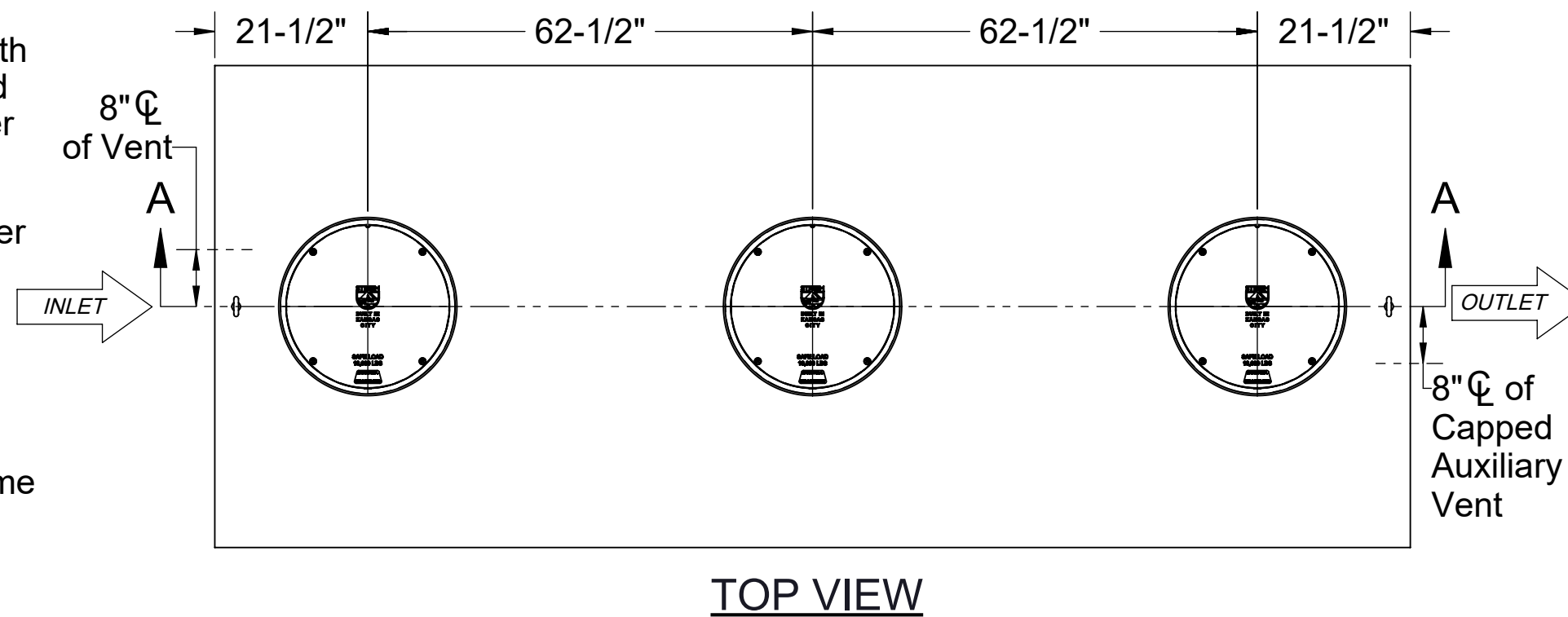
1. 6" Plain End inlet/outlet shown, 3" Plain End vents standard.
2. Liquid capacity: 2000 gallons (267 cu. ft.).
3. Unit weight: 1820 lbs.
4. Maximum operating temperature 140°F continuous.

NOTES

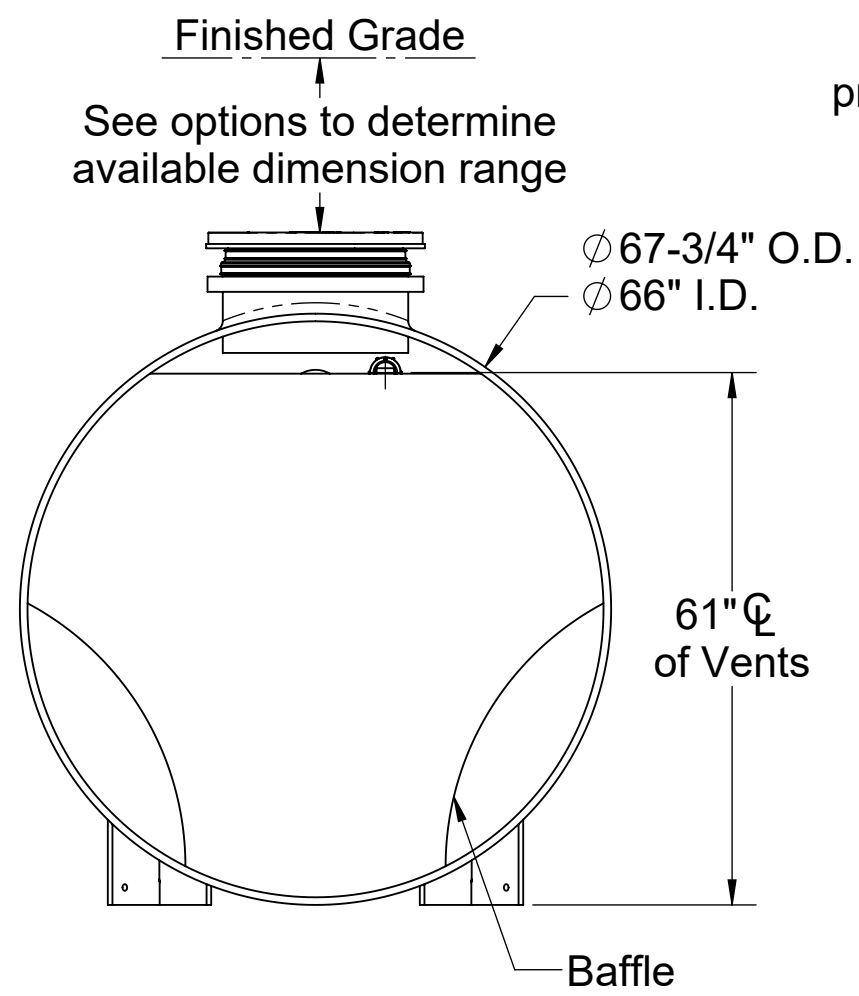
1. For gravity drainage applications only.
2. Capped auxiliary vent provided to allow flexibility with vent piping and design. Provided cap can be moved to unused vent location, or discarded if two chamber vents are required per local code.
3. Do not use for pressure applications.
4. Cover placement allows full access to tank for proper maintenance.
5. Lifting lug set for easy install.
6. Maximum burial depth: 106" from standard cover height.

ENGINEER SPECIFICATION GUIDE

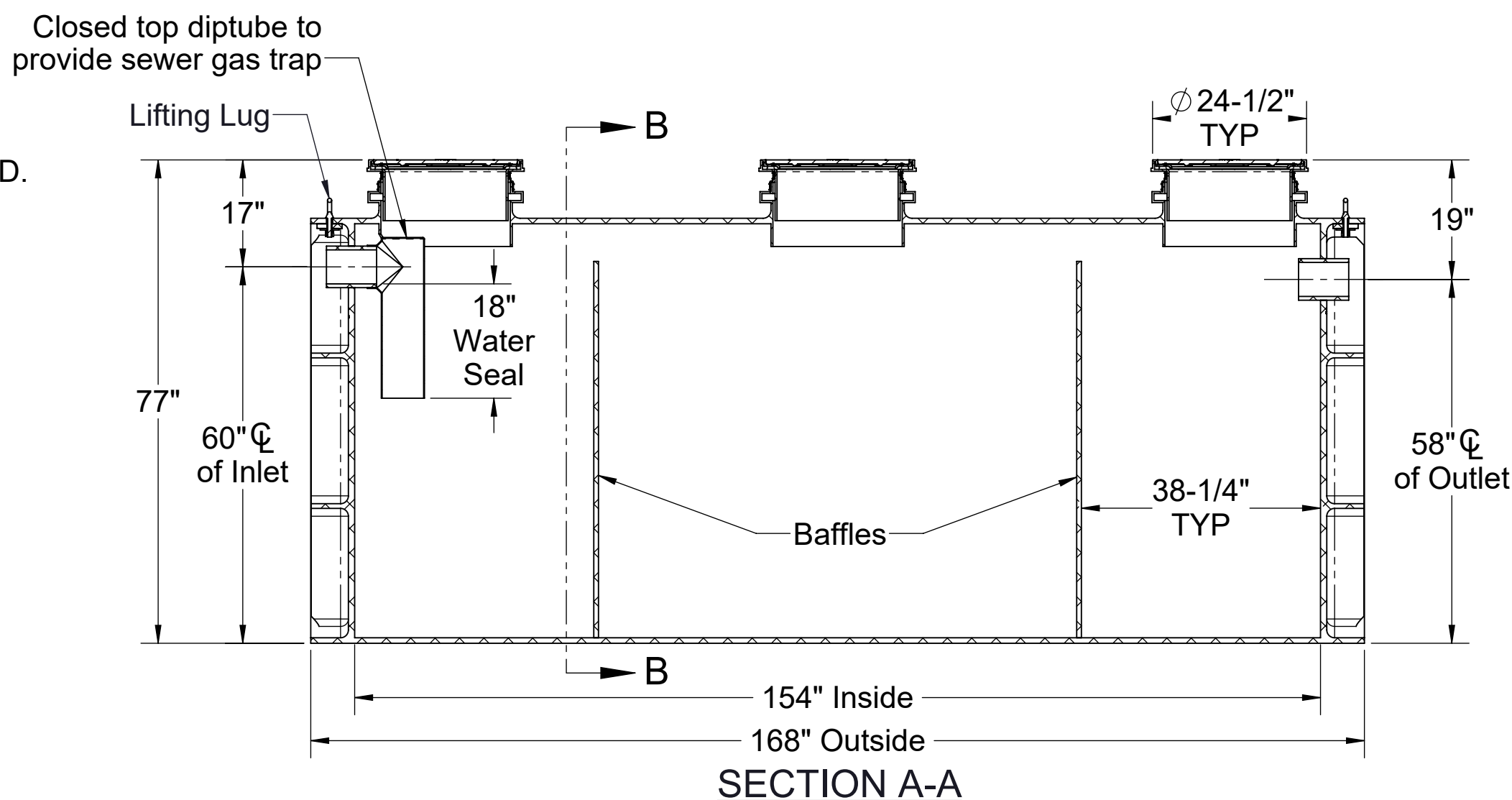
Striem neutralization tank model LB-2000 shall be lifetime guaranteed and made in the USA. Tank shall be constructed of polyethylene with 7/8" nominal wall thickness. Tank shall be manufactured for below-grade installation. Field-adjustable riser system is available as an option to bring manhole covers to grade. Tank liquid holding capacity shall be 2000 gallons. Covers shall provide water/gas-tight seal and have a maximum 16,000 lbs. load capacity.



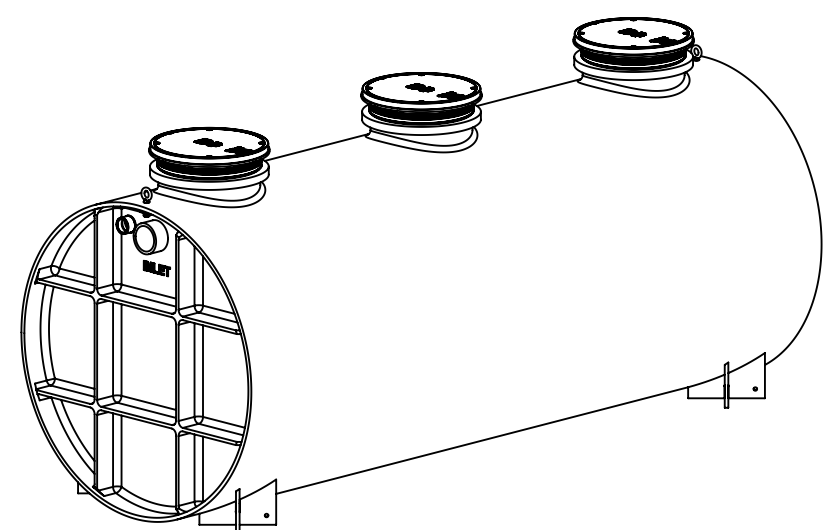
OPTIONS	
Connection Options (Plain End Only)	
Inlet / Outlet	SELECTION REQUIRED
<input type="checkbox"/> 4"	
<input type="checkbox"/> 6"	
<input type="checkbox"/> 8"	
Riser Options	
From Factory: Up to 5"	
<input type="checkbox"/> Up to 24": SR24 (3)	
<input type="checkbox"/> Up to 39": LR24 (3)	
<input type="checkbox"/> Up to 43": SR24 (6)	
<input type="checkbox"/> Up to 58": SR24 (3) + LR24 (3)	
<input type="checkbox"/> Up to 72": LR24 (6)	
<input type="checkbox"/> Up to 90": SR24 (3) + LR24 (6)	
<input type="checkbox"/> Up to 106": LR24 (9)	
- OR -	
<input type="checkbox"/> CPRK (3): 11" - 106"	
(See specification for more detail.)	
Additional Options	
<input type="checkbox"/> CC-1 & SPK : Command Center pH Monitoring Package with Sensor Placement Kit	
<input type="checkbox"/> HDK-7 : High Water Table Hold Down Kit	
<input type="checkbox"/> Limestone : 90%+ Calcium Carbonate (25,500 lbs.)	



SECTION B-B



SECTION A-A



PO IS NON-CANCELABLE
ORDER IS NON-RETURNABLE

MODEL NUMBER:	LB-2000
DESCRIPTION:	LAB BASIN™ POLYETHYLENE NEUTRALIZATION TANK 2000 GALLON CAPACITY
DWG BY:	ENG
DATE:	1/23/2025
REV:	1

SPECIFICATION SHEET

Striem
Kansas City, KS
Tel: 913-222-1500
orders@striemco.com
www.striemco.com

Made in the U.S.A

