

SPECIFICATIONS

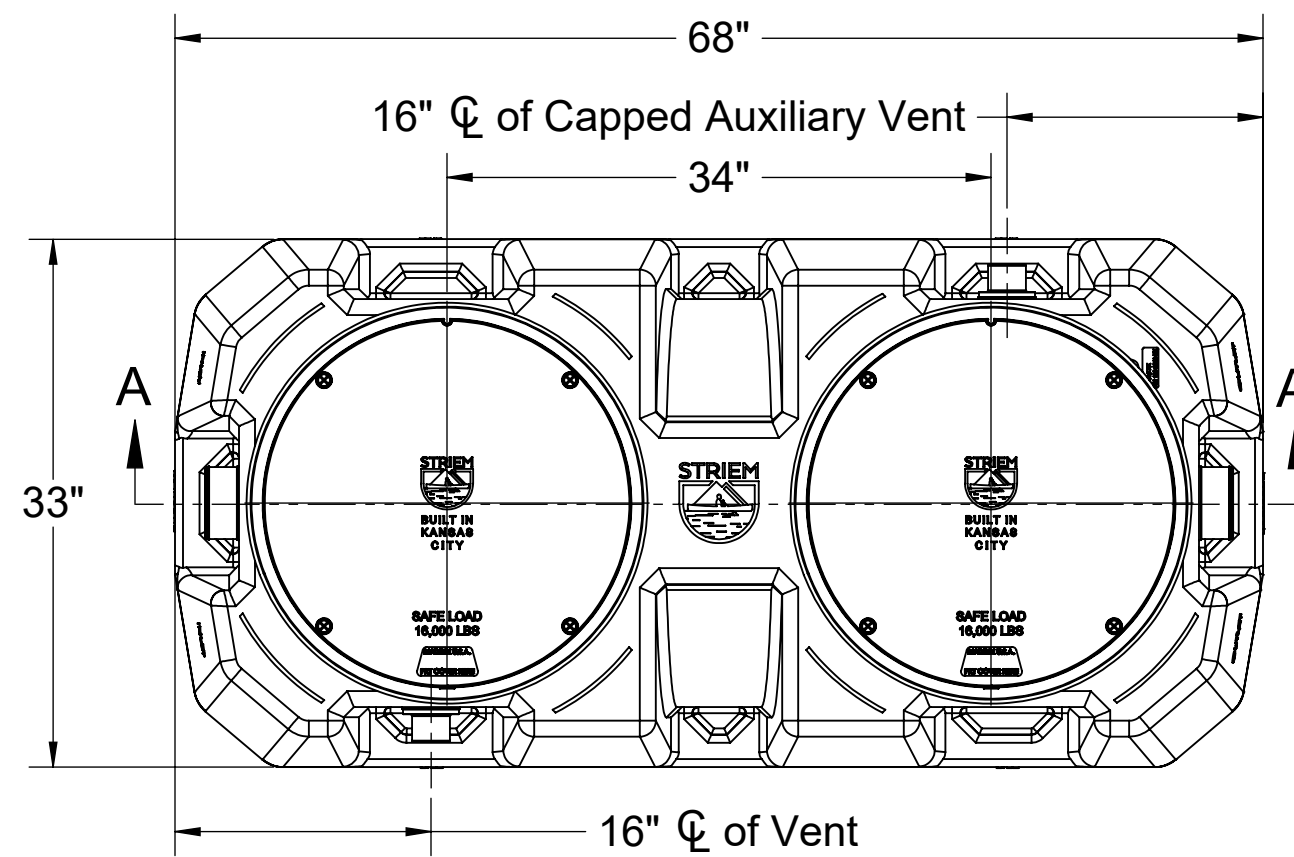
1. 4" Plain End inlet/outlet, 2" Plain End vents standard.
2. Liquid holding capacity: 250 Gallons.
3. Unit weight: 225 lbs.
4. Maximum operating temperature 140 °F continuous.

NOTES

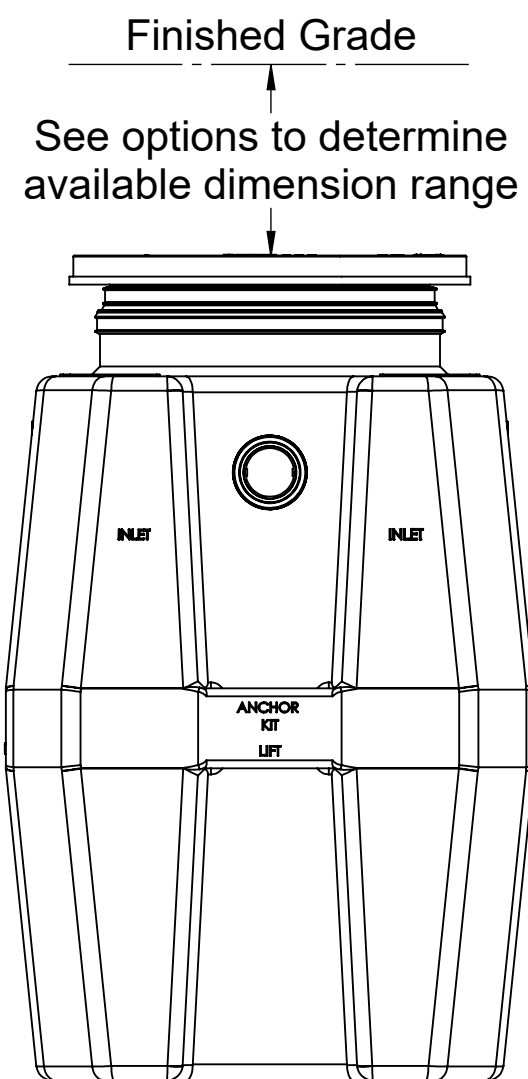
1. For gravity drainage applications only.
2. Do not use for pressure applications.
3. Capped auxiliary vent provided to allow flexibility with vent piping and design. Provided cap can be moved to unused vent location, or discarded if two chamber vents are required per local code.
4. Cover placement allows full access to tank for proper maintenance.
5. Diptube is removable to inspect/clean piping.
6. Maximum burial depth: 90" from standard cover height.

ENGINEER SPECIFICATION GUIDE

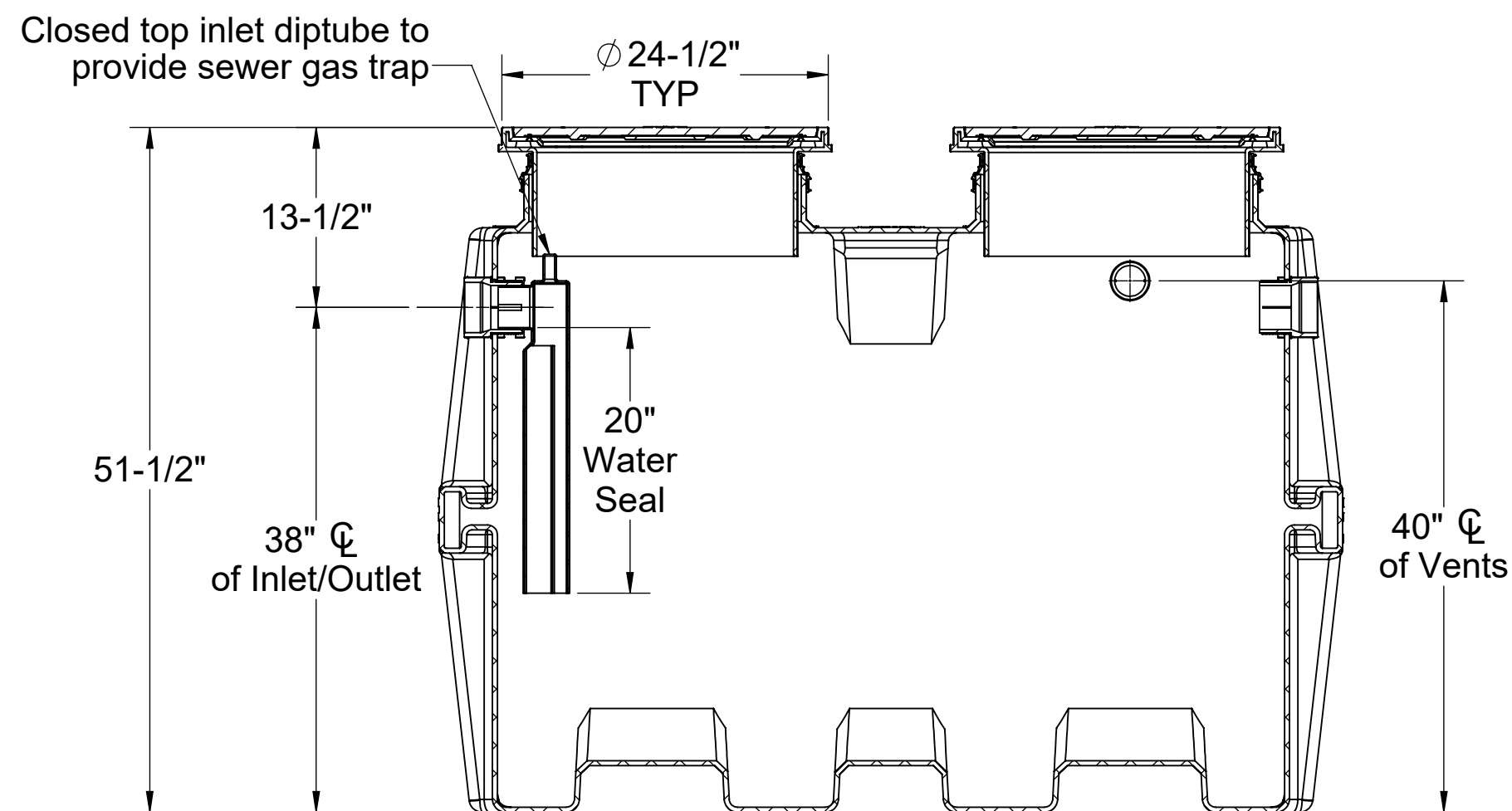
Striem neutralization tank model LB-275 shall be lifetime guaranteed and made in the USA. Tank shall be constructed of polyethylene. Tank shall be manufactured for above- or below-grade installation. Field-adjustable riser system is available as an option to bring manhole covers to grade. Tank liquid holding capacity shall be 250 gallons. Covers shall provide water/gas-tight seal and have a maximum 16,000 lbs. load capacity.



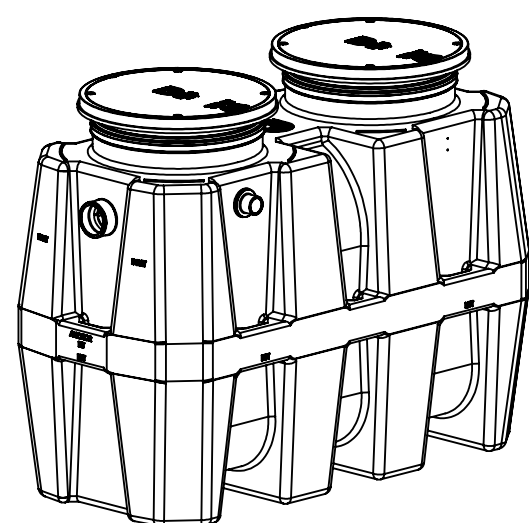
TOP VIEW



END VIEW



SECTION A-A



PROPRIETARY AND CONFIDENTIAL
 THE INFORMATION CONTAINED IN THIS DRAWING IS THE SOLE PROPERTY OF STRIEM, LLC.
 ANY REPRODUCTION IN PART OR AS A WHOLE WITHOUT THE WRITTEN PERMISSION OF STRIEM, LLC. IS PROHIBITED.

OPTIONS

Connection Options (Plain End Only)

Inlet / Outlet

- 4"
- 6"

Riser Options

From Factory: Up to 5"

- Up to 24": **SR24** (2)
- Up to 39": **LR24** (2)
- Up to 43": **SR24** (4)
- Up to 58": **SR24** (2) + **LR24** (2)
- Up to 72": **LR24** (4)
- Up to 90": **SR24** (2) + **LR24** (4)

- OR -

- CPRK** (2): 11" - 90" (See specification for more detail.)

Additional Options

- HDK-2**: High Water Table Hold Down Kit
- CC-1 & SPK**: Command Center pH Monitoring Package with Sensor Placement Kit
- Limestone**: 90%+ Calcium Carbonate (3,150 lbs.)

MODEL NUMBER: LB-275

DESCRIPTION:
 LAB BASIN™
 POLYETHYLENE NEUTRALIZATION TANK

DWG BY: ENG **DATE:** 1/24/2025 **REV:** 1

SPECIFICATION SHEET

Striem
 Kansas City, KS
 Tel: 913-222-1500
 orders@striemco.com
 www.striemco.com

Made in the U.S.A

