

**SPECIFICATIONS**

- 1-1/2" or 2" FPT connections standard (polypropylene bushings included).
- 4-1/4" gasketed top access port with captive hand-thread hardware.
- Liquid capacity: 5.6 Gallons (1-1/2"); 5.3 Gallons (2")
- Unit weight: 11 lbs. (dry); 58 lbs. (wet); 76.5 lbs. (wet w/ limestone).
- Maximum operating temperature 140°F continuous.

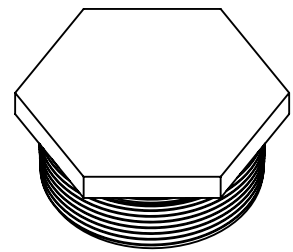
**NOTES**

- Top inlet and side inlet options standard.
- Optional vent connection standard.
- Built-in sewer gas trap.
- Bottom of tank must be supported if not sitting on floor. Support must hold at least 80 lbs. Bottom of tank designed to accommodate 4" plastic pipe (by others) as a support option.
- Uses: Neutralization (w/ limestone) or dilution (no limestone).

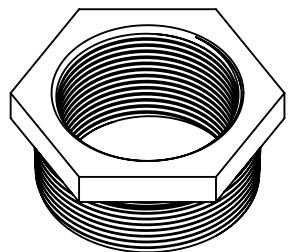
**ENGINEER SPECIFICATION GUIDE**

Striem neutralization tank model LB-5 shall be lifetime guaranteed and made in the USA. Tank shall be constructed of polyethylene. Tank shall be manufactured for above-grade installation. Tank shall be furnished with (2) inlets, (1) outlet, and (1) vent connection with bushings included to field-adapt to 1-1/2" or 2" drain line pipe size. Tank shall be watertight up to 36" head and contain an internal sewer gas trap. Tank shall have gasketed cover with captive hand-thread hardware.

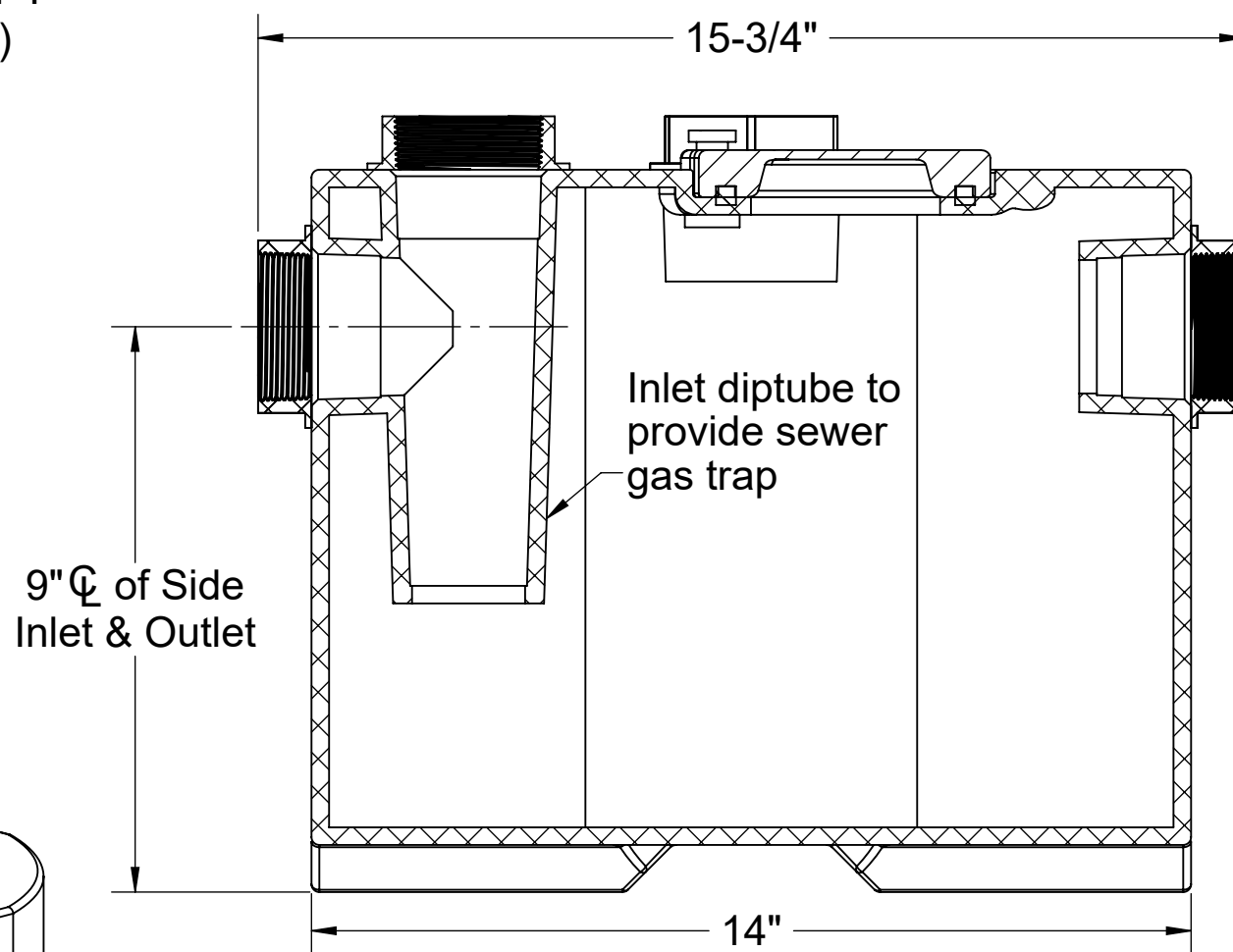
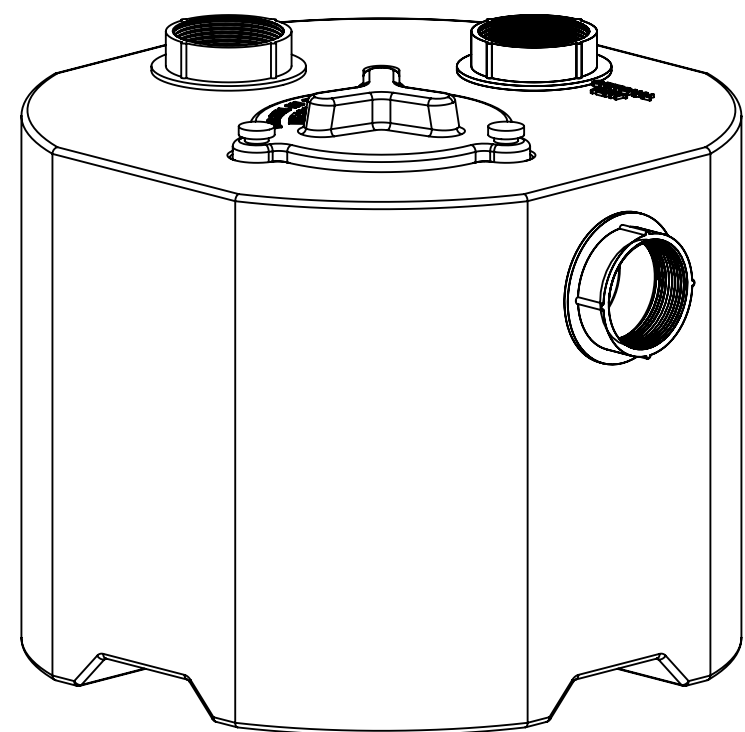
**INCLUDED**



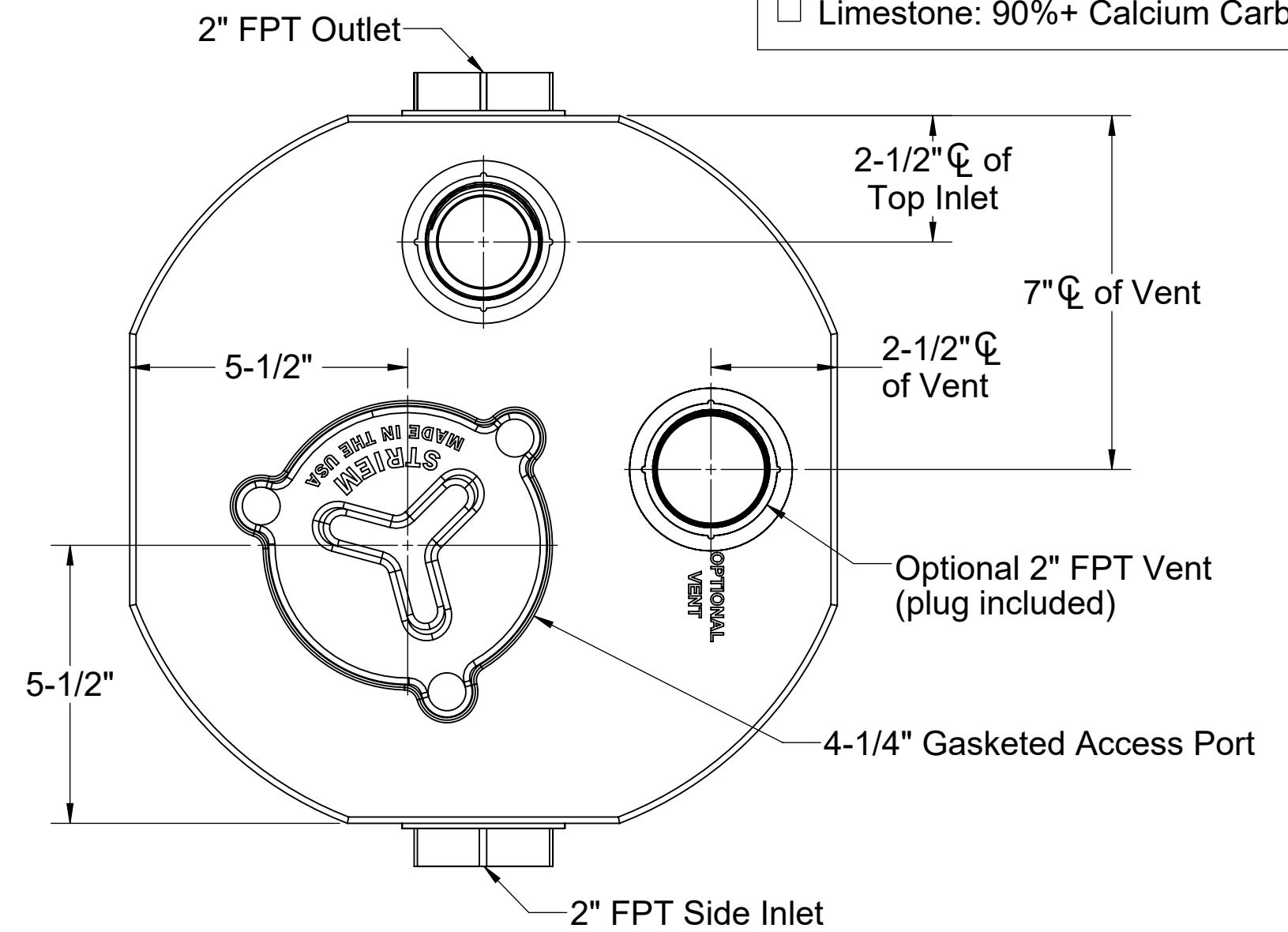
2" MPT Plug (2)



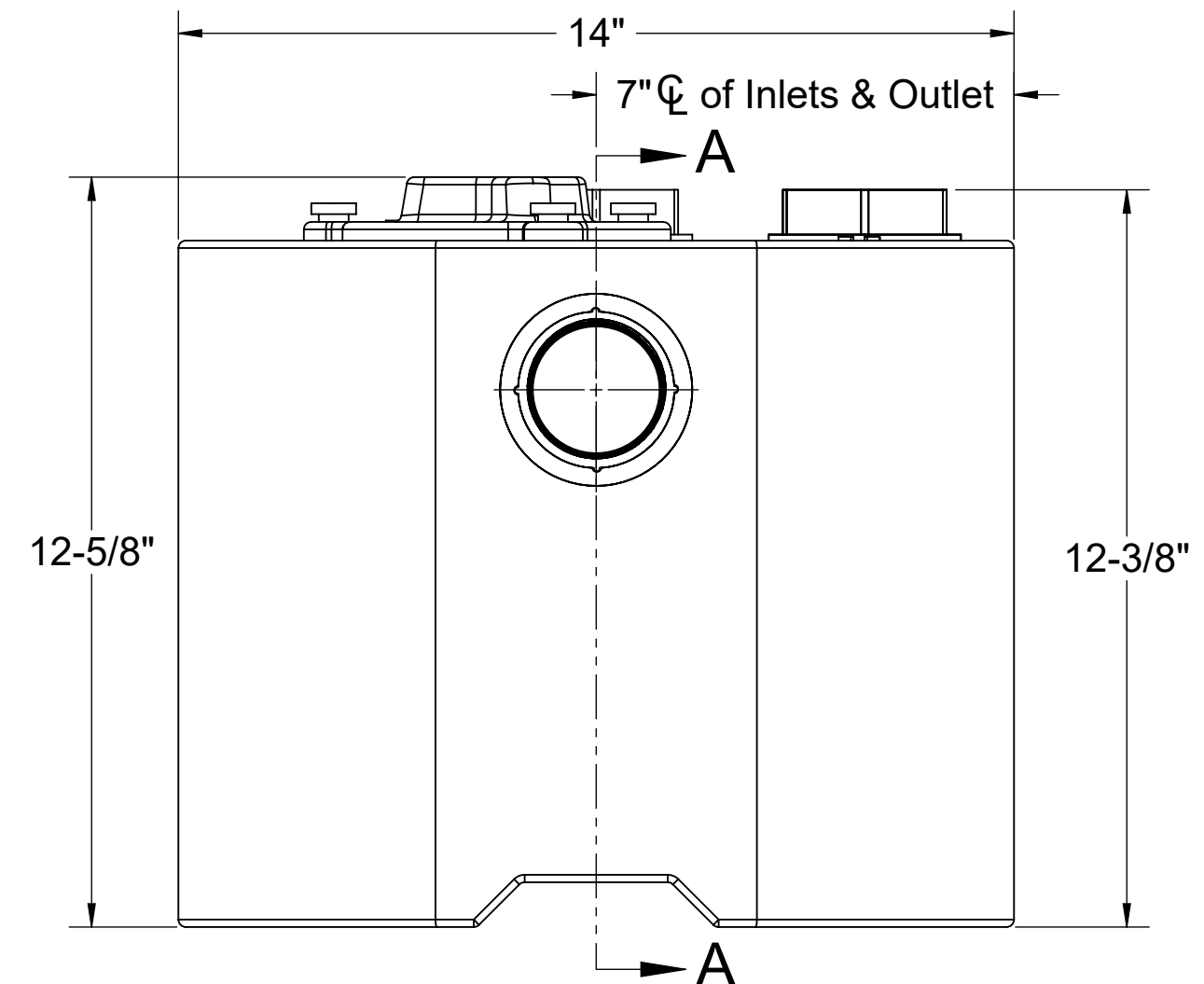
2" x 1-1/2" MPT Reducer (2)



**SECTION A-A**



**TOP VIEW**



**FRONT VIEW**

**OPTIONS**

Limestone: 90%+ Calcium Carbonate (50 lbs.)

**MODEL NUMBER:** LB-5

**DESCRIPTION:**  
LAB RAT™  
POLYETHYLENE POINT OF USE  
NEUTRALIZATION TANK

**DWG BY:** ENG    **DATE:** 12/17/2024    **REV:** 0

**SPECIFICATION SHEET**

Striem  
Kansas City, KS  
Tel: 913-222-1500  
orders@striemco.com  
www.striemco.com

Made in the U.S.A

