

SPECIFICATIONS

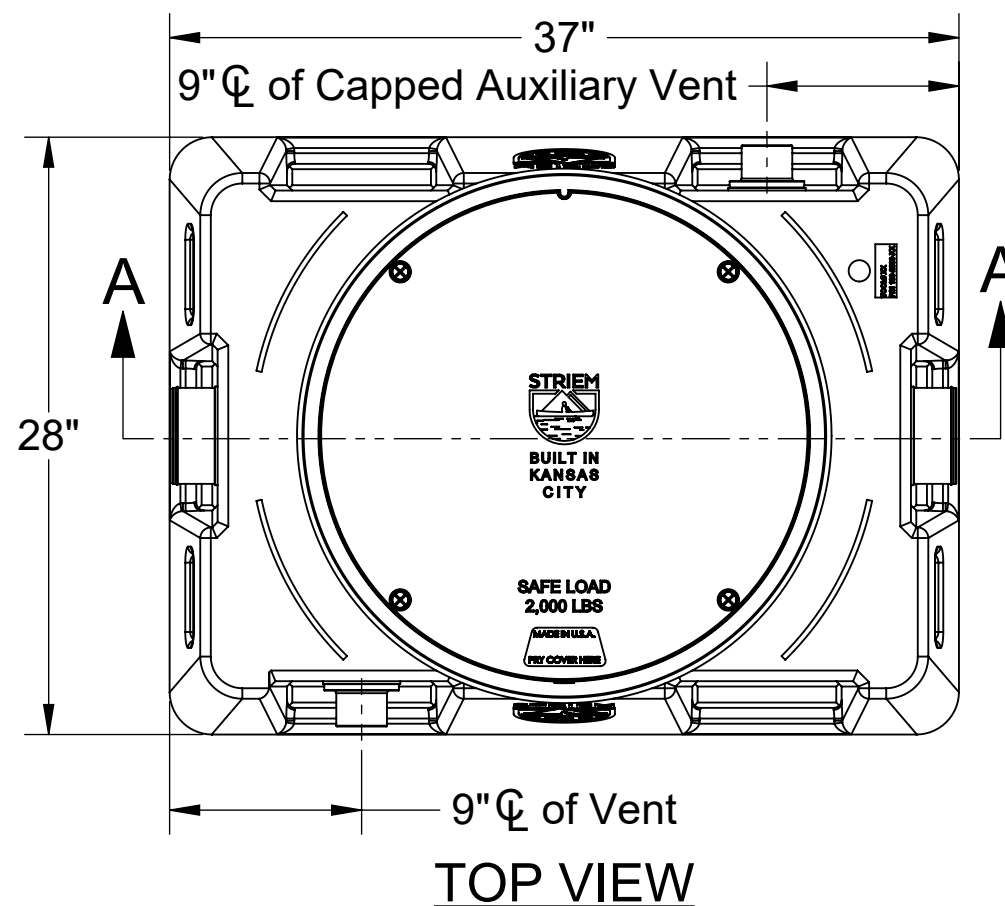
1. 4" Plain End inlet/outlet, 2" Plain End vents, C24-M cover standard.
2. Liquid holding capacity: 57 Gallons.
3. Unit weight: 93 lbs.
4. Maximum operating temperature 140°F continuous.

NOTES

1. For gravity drainage applications only.
2. Cover placement allows full access to tank for proper maintenance.
3. Capped auxiliary vent provided to allow flexibility with vent piping and design. Provided cap can be moved to unused vent location, or discarded if two chamber vents are required per local code.
4. Do not use for pressure applications.
5. Diptube is removable to inspect/clean piping.
6. Maximum burial depth: 39" from standard cover height.

ENGINEER SPECIFICATION GUIDE

Striem neutralization tank model LB-50 shall be lifetime guaranteed and made in the USA. Tank shall be constructed of polyethylene. Tank shall be manufactured for above- or below-grade installation. Field-adjustable riser system is available as an option to bring manhole cover to grade. Tank liquid holding capacity shall be 57 gallons. Cover shall provide water/gas-tight seal and have a maximum 2,000 lbs. load capacity.



OPTIONS

Connection Options (Plain End Only)

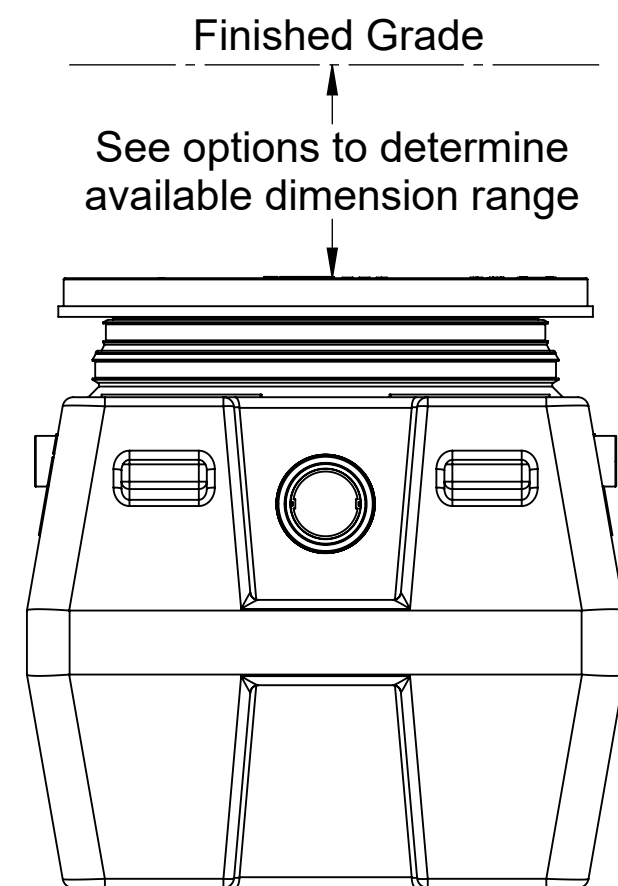
- Inlet / Outlet**
- 2"
 - 3"
 - 4"

Riser Options

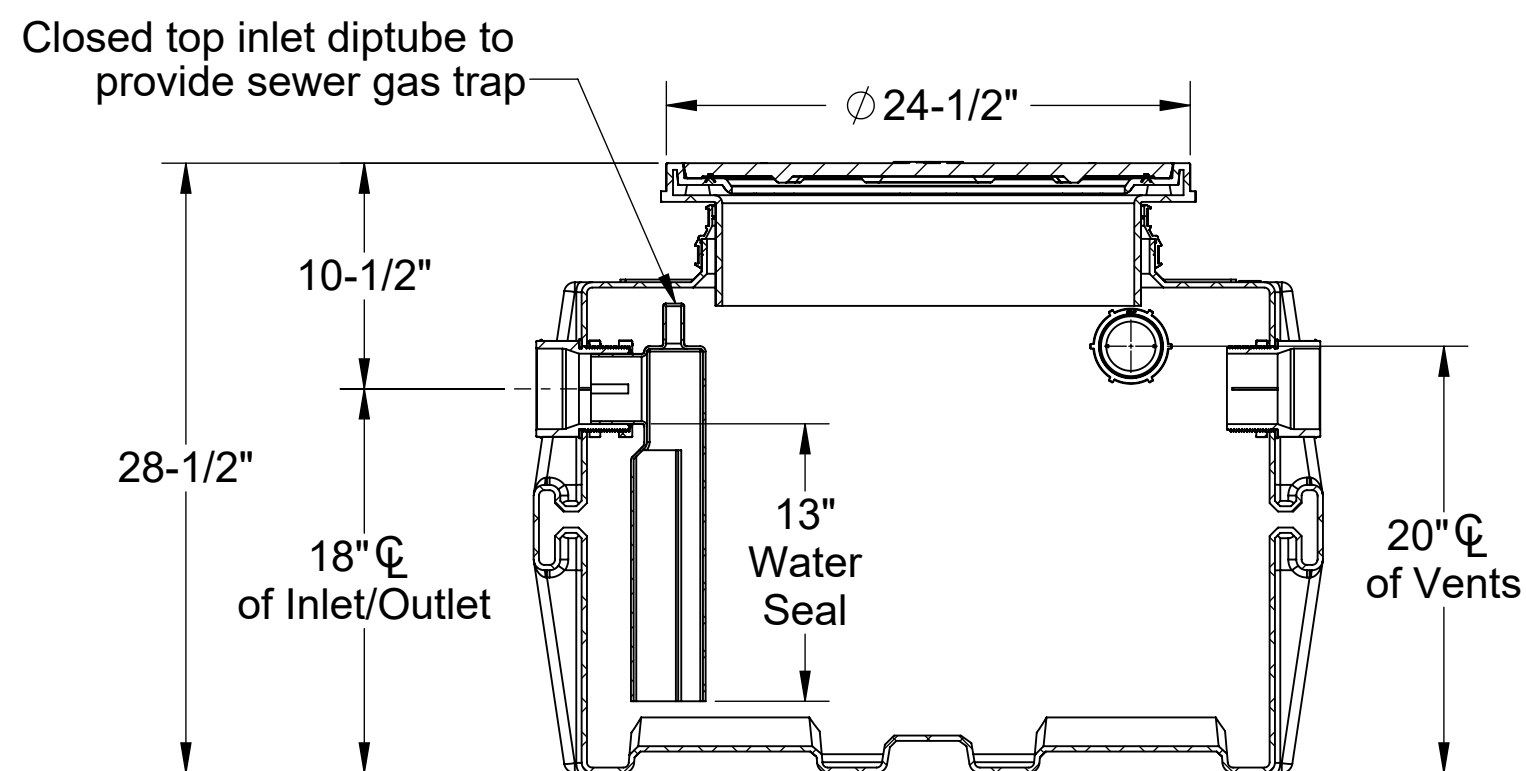
- From Factory: 0" - 5"**
- Up to 24": **SR24**
 - Up to 39": **LR24**

Additional Options

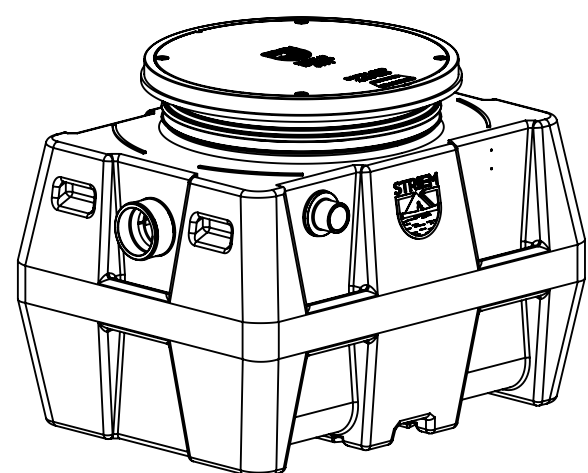
- HDK-2:** High Water Table Hold Down Kit
- C24-H:** Highway Rated Bolted Composite Cover
- CC-1 & SPK:** Command Center pH Monitoring Package with Sensor Placement Kit
- Limestone:** 90%+ Calcium Carbonate (650 lbs.)



END VIEW



SECTION A-A



PROPRIETARY AND CONFIDENTIAL
 THE INFORMATION CONTAINED IN THIS DRAWING IS THE SOLE PROPERTY OF STRIEM, LLC.
 ANY REPRODUCTION IN PART OR AS A WHOLE WITHOUT THE WRITTEN PERMISSION OF STRIEM, LLC. IS PROHIBITED.

MODEL NUMBER:	LB-50	SPECIFICATION SHEET	
DESCRIPTION:	LAB BASIN™ POLYETHYLENE NEUTRALIZATION TANK		
DWG BY: ENG	DATE: 1/14/2025	REV: 1	Striem Kansas City, KS Tel: 913-222-1500 orders@striemco.com www.striemco.com Made in the U.S.A