

SPECIFICATIONS

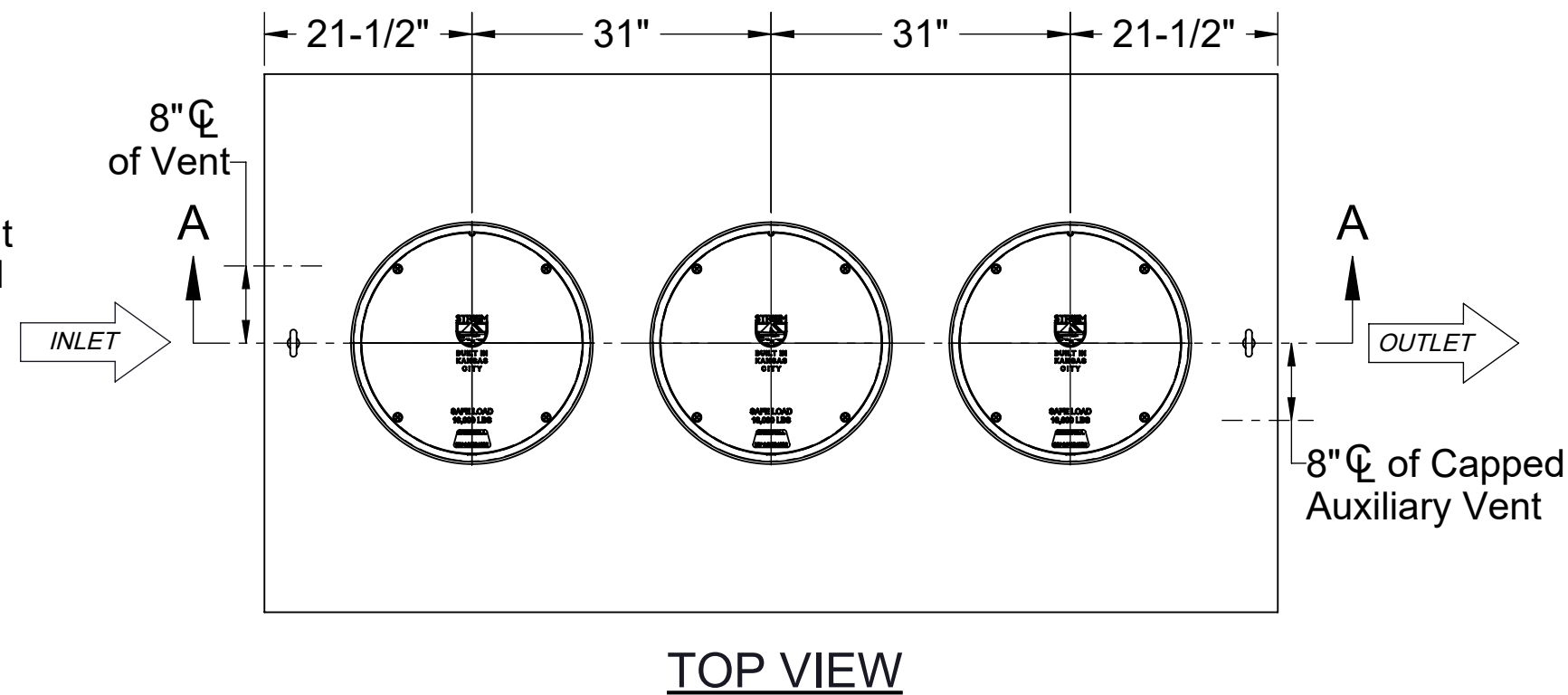
1. 6" Plain End inlet/outlet shown, 3" Plain End vents standard.
2. Liquid capacity: 750 gallons (100 cu. ft.).
3. Unit weight: 1073 lbs.
4. Maximum operating temperature 140°F continuous.

NOTES

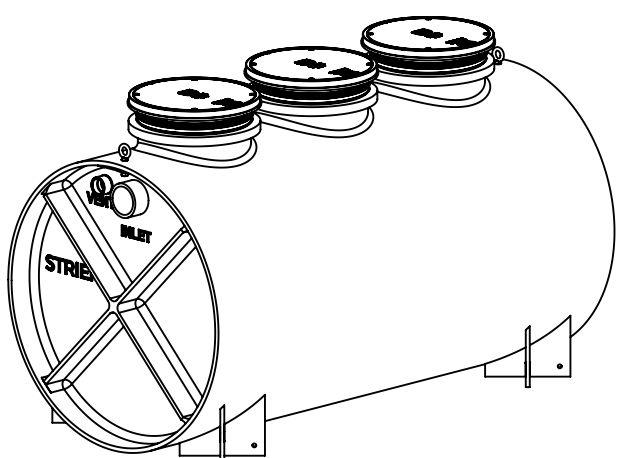
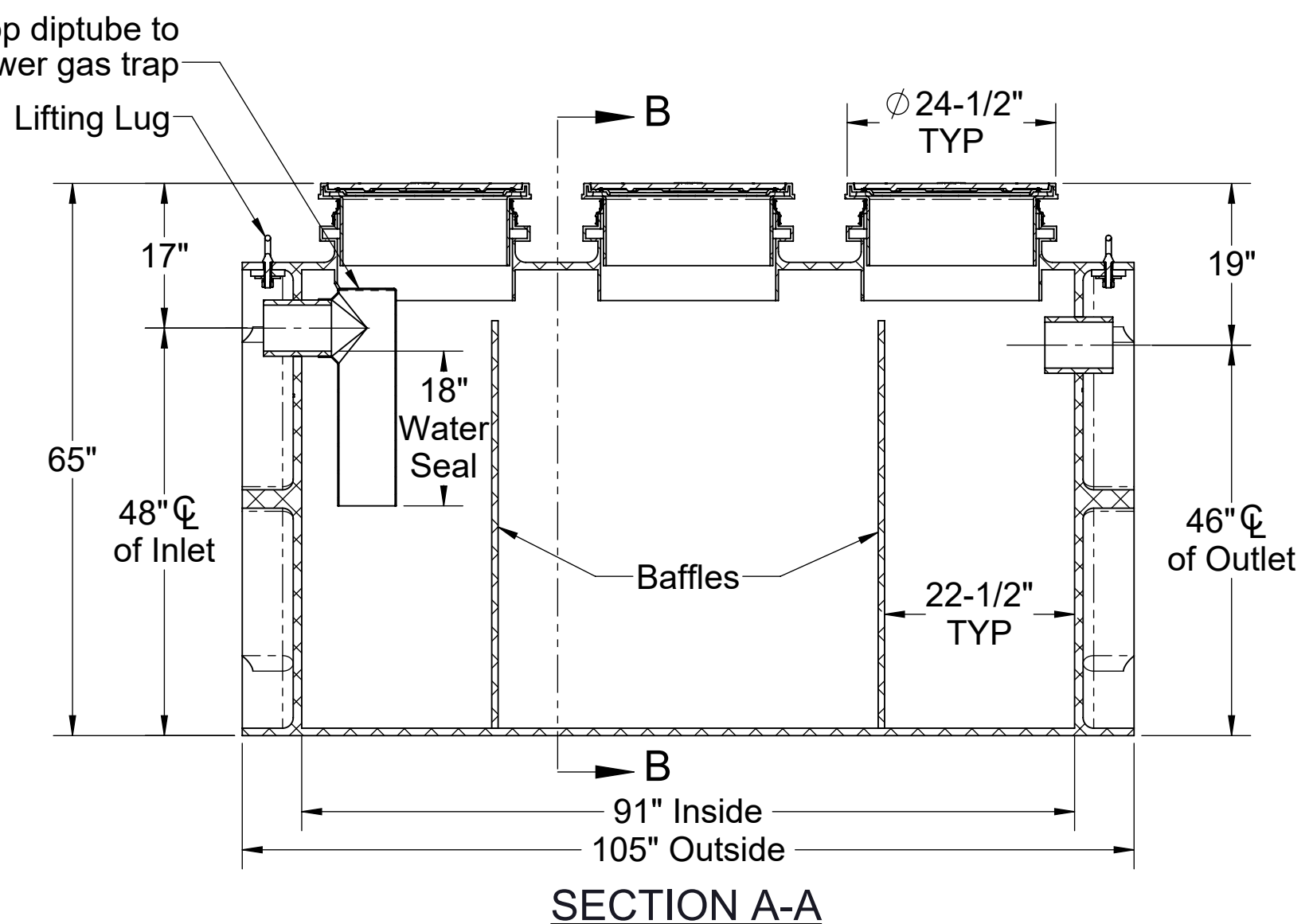
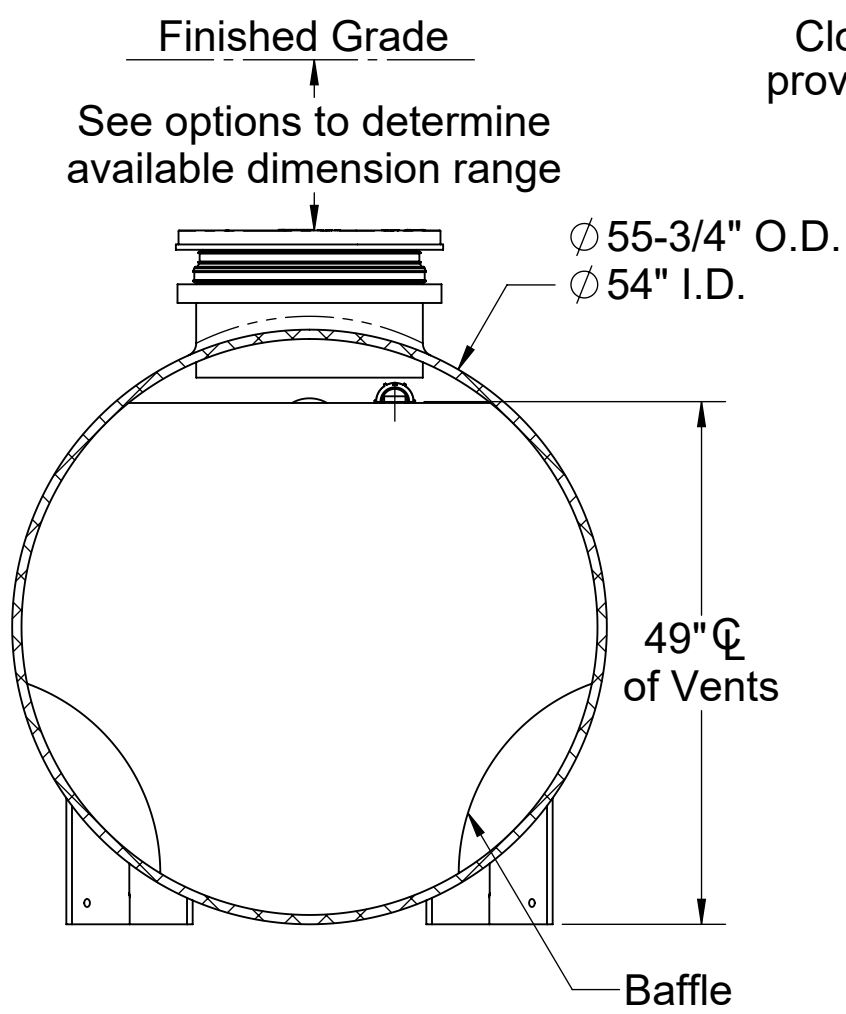
1. For gravity drainage applications only.
2. Do not use for pressure applications.
3. Capped auxiliary vent provided to allow flexibility with vent piping and design. Provided cap can be moved to unused vent location, or discarded if two chamber vents are required per local code.
4. Cover placement allows full access to tank for proper maintenance.
5. Lifting lug set for easy install.
6. Maximum burial depth: 106" from standard cover height.

ENGINEER SPECIFICATION GUIDE

Striem neutralization tank model LB-750 shall be lifetime guaranteed and made in the USA. Tank shall be constructed of polyethylene with 7/8" nominal wall thickness. Tank shall be manufactured for below-grade installation. Field-adjustable riser system is available as an option to bring manhole covers to grade. Tank liquid holding capacity shall be 750 gallons. Covers shall provide water/gas-tight seal and have a maximum 16,000 lbs. load capacity.



OPTIONS	
Connection Options (Plain End Only)	
Inlet / Outlet <input type="checkbox"/> 4" <input type="checkbox"/> 6" <input type="checkbox"/> 8"	<div style="border: 1px solid black; border-radius: 15px; padding: 5px; display: inline-block;">SELECTION REQUIRED</div>
Riser Options	
From Factory: Up to 5" <input type="checkbox"/> Up to 24": SR24 (3) <input type="checkbox"/> Up to 39": LR24 (3) <input type="checkbox"/> Up to 43": SR24 (6) <input type="checkbox"/> Up to 58": SR24 (3) + LR24 (3) <input type="checkbox"/> Up to 72": LR24 (6) <input type="checkbox"/> Up to 90": SR24 (3) + LR24 (6) <input type="checkbox"/> Up to 106": LR24 (9)	
- OR -	
<input type="checkbox"/> CPRK (3): 11" - 106" (See specification for more detail.)	
Additional Options	
<input type="checkbox"/> CC-1 & SPK: Command Center pH Monitoring Package with Sensor Placement Kit <input type="checkbox"/> HDK-4: High Water Table Hold Down Kit <input type="checkbox"/> Limestone: 90%+ Calcium Carbonate (9,800 lbs.)	



PO IS NON-CANCELABLE
ORDER IS NON-RETURNABLE

PROPRIETARY AND CONFIDENTIAL
THE INFORMATION CONTAINED IN THIS DRAWING IS THE SOLE PROPERTY OF STRIEM, LLC.
ANY REPRODUCTION IN PART OR AS A WHOLE WITHOUT THE WRITTEN PERMISSION OF STRIEM, LLC. IS PROHIBITED.

MODEL NUMBER:	LB-750
DESCRIPTION:	LAB BASIN™ POLYETHYLENE NEUTRALIZATION TANK 750 GALLON CAPACITY
DWG BY: ENG	DATE: 1/23/2025
REV: 1	

SPECIFICATION SHEET	
Striem Kansas City, KS Tel: 913-222-1500 orders@striemco.com www.striemco.com	<div style="font-size: 2em; font-weight: bold; margin-bottom: 10px;">STRIEM</div> <p style="font-weight: bold; margin-top: 10px;">Made in the U.S.A</p>