

**SPECIFICATIONS**

1. 2" Plain End inlet/outlet shown.
2. Liquid capacity: 1.2 Gallons.
3. Unit weight: 7 lbs.
4. Perforation size: 1/8" openings.
5. Max. operating temperature: 140°F continuous.

**NOTES**

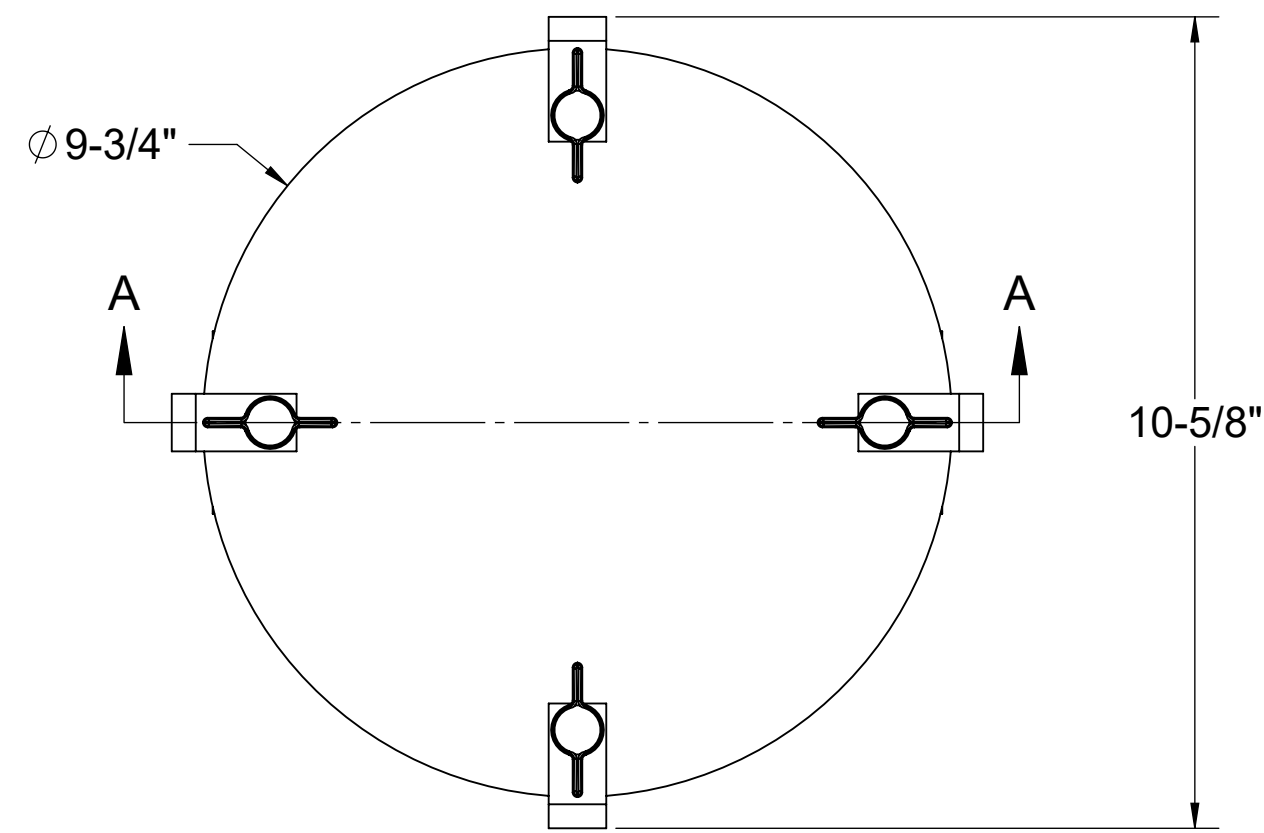
1. For gravity drainage applications only.
2. Do not use for pressure applications.
3. Removable debris bucket with removable screen.
4. Built-in sewer gas trap.
5. Watertight up to 36" of head.
6. Clearance height required to pull basket: 11-1/2".

**ENGINEER SPECIFICATION GUIDE**

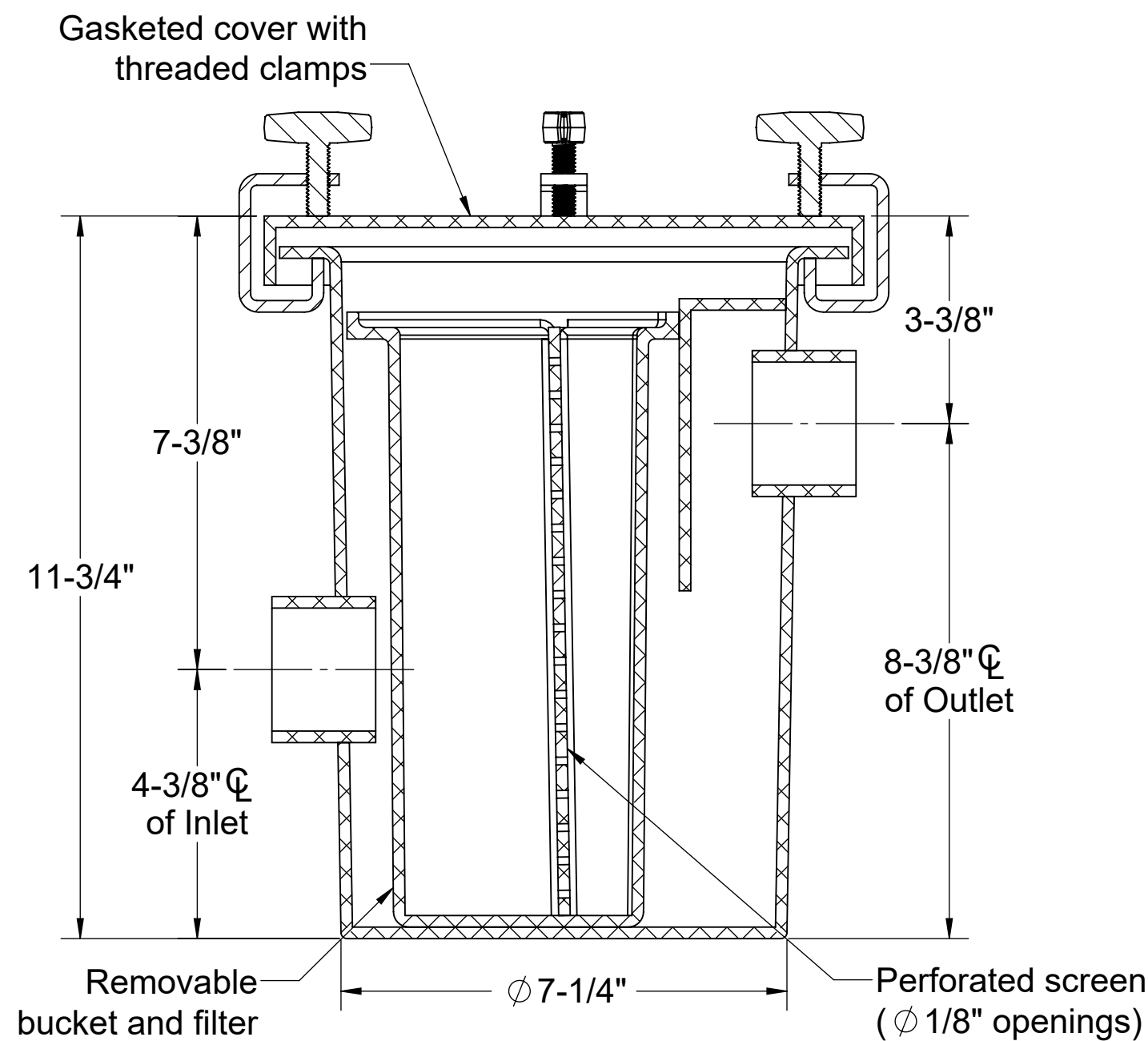
Striem solids interceptor model USI-1180 shall be lifetime guaranteed and made in the USA. Interceptor shall be constructed of polyethylene. Interceptor shall be certified to IAPMO/ANSI/CAN Z1167 and carry a UPC listing. Interceptor is manufactured for above-grade installation. Interceptor shall have a removable polyethylene bucket and filter. Interceptor shall be watertight up to 36" of head, and contain a built-in sewer gas trap. Interceptor shall have gasketed cover with hand thread clamps.

**SELECT CONFIGURATION**

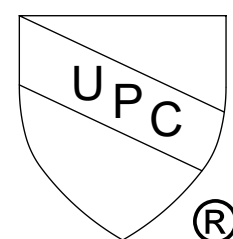
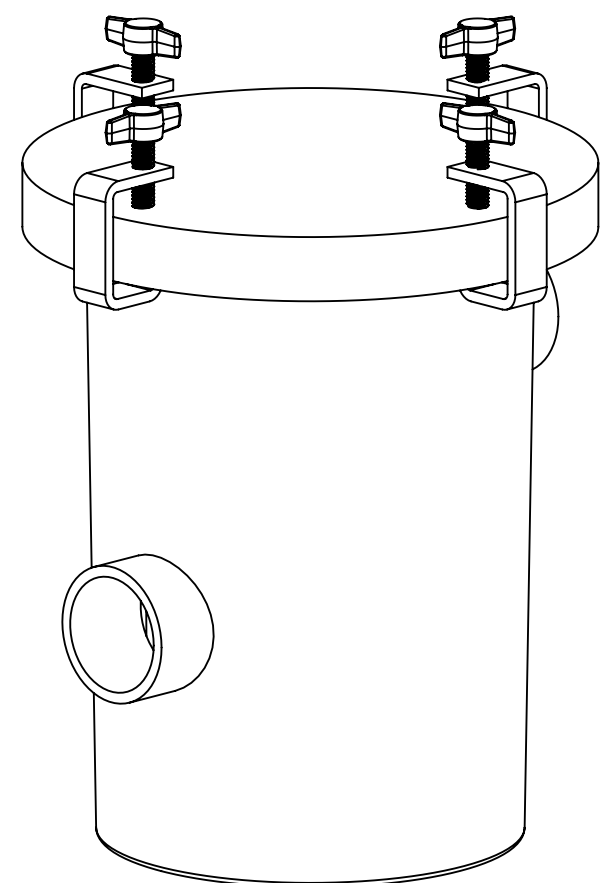
- USI-1180-1: 1-1/2" Plain End Fittings
- USI-1180-2: 2" Plain End Fittings



**TOP VIEW**



**SECTION A-A**



PO IS NON-CANCELABLE  
ORDER IS NON-RETURNABLE

**PROPRIETARY AND CONFIDENTIAL**  
THE INFORMATION CONTAINED IN THIS DRAWING IS THE SOLE PROPERTY OF STRIEM, LLC. ANY REPRODUCTION IN PART OR AS A WHOLE WITHOUT THE WRITTEN PERMISSION OF STRIEM, LLC. IS PROHIBITED.

**MODEL NUMBER:** USI-1180

**DESCRIPTION:**  
POINT OF USE  
POLYETHYLENE SOLIDS INTERCEPTOR  
1.2 GALLON LIQUID HOLDING CAPACITY

**DWG BY:** ENG    **DATE:** 12/13/2024    **REV:** 1

**SPECIFICATION SHEET**

Striem  
Kansas City, KS  
Tel: 913-222-1500  
orders@striemco.com  
www.striemco.com

Made in the U.S.A

