

EXCAVATION

1. Install unit(s) as close as possible to fixtures being serviced.
2. Width and length of excavation shall be minimum 12" greater than the tank on all sides.
3. Depth of excavation shall be 6" deeper than tank bottom.
4. Set the tank in well-packed crushed aggregate material approximately 3/4" size rock, or sand, with no fines.

UNIT INSTALLATION

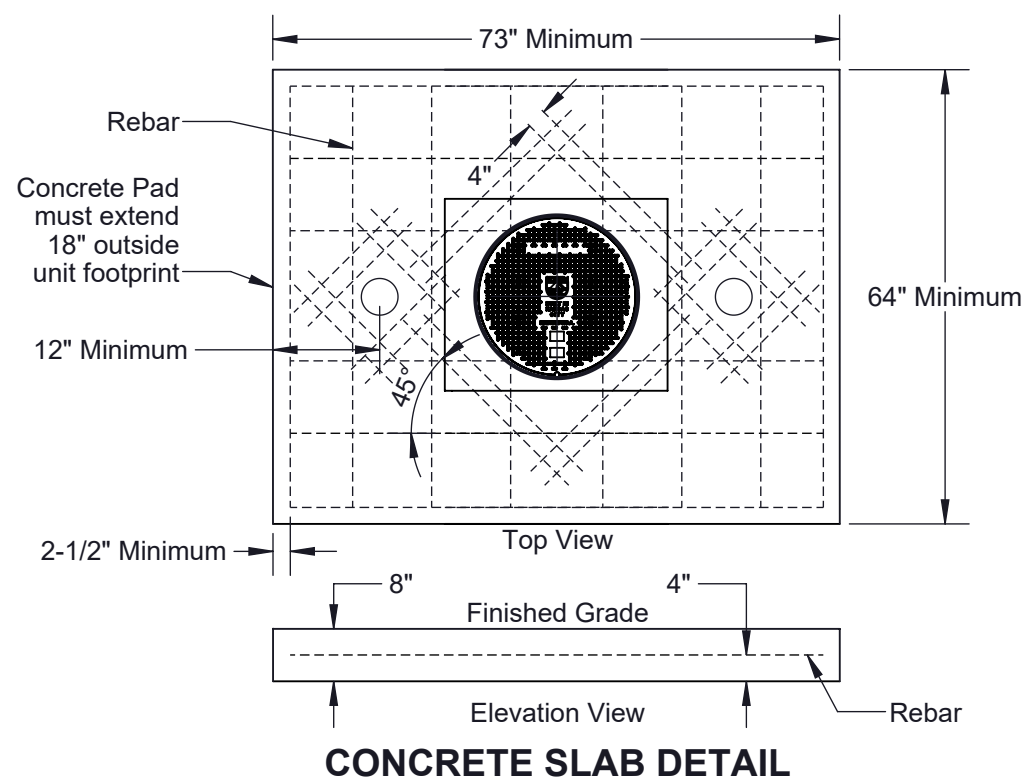
1. Lower and center the unit into hole.
2. Ensure the top of riser is level with finished grade.
3. Connect waste piping to the unit.
4. Connect vent piping to vent connection on sidewall of tank. If auxiliary vent is used, remove cap and install on inlet side vent.
5. Fill unit with water before backfilling to stabilize unit, check for leaks, and prevent float out during backfilling.

HDK-2 HOLD DOWN KIT INSTALLATION STEPS

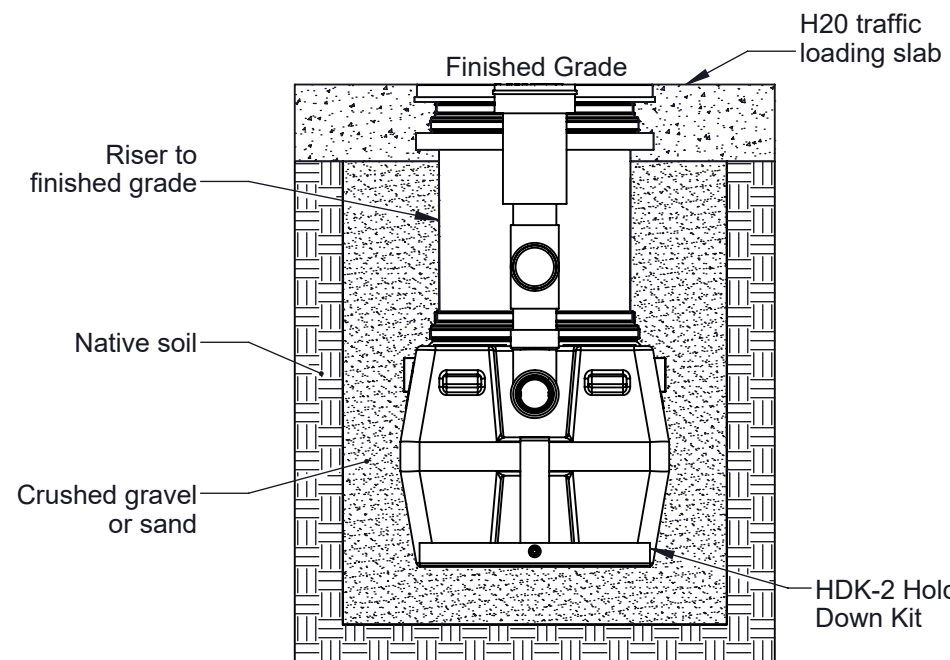
1. HDK-2 Hold Down Kit is required for installations in high water table conditions to prevent float out. To be determined by specifying engineer. See detail on this sheet.
2. Slide "Anchor Strap" over tie down point on end wall and bolt to "Anchor Plate" using provided hardware.
3. Hold down force achieved by backfill weight acting on Anchor Plate.
4. Anchor Plate may be bolted to concrete slab, if required, by using holes provided in Anchor Plate.

BACKFILLING & FINISHED CONCRETE SLAB

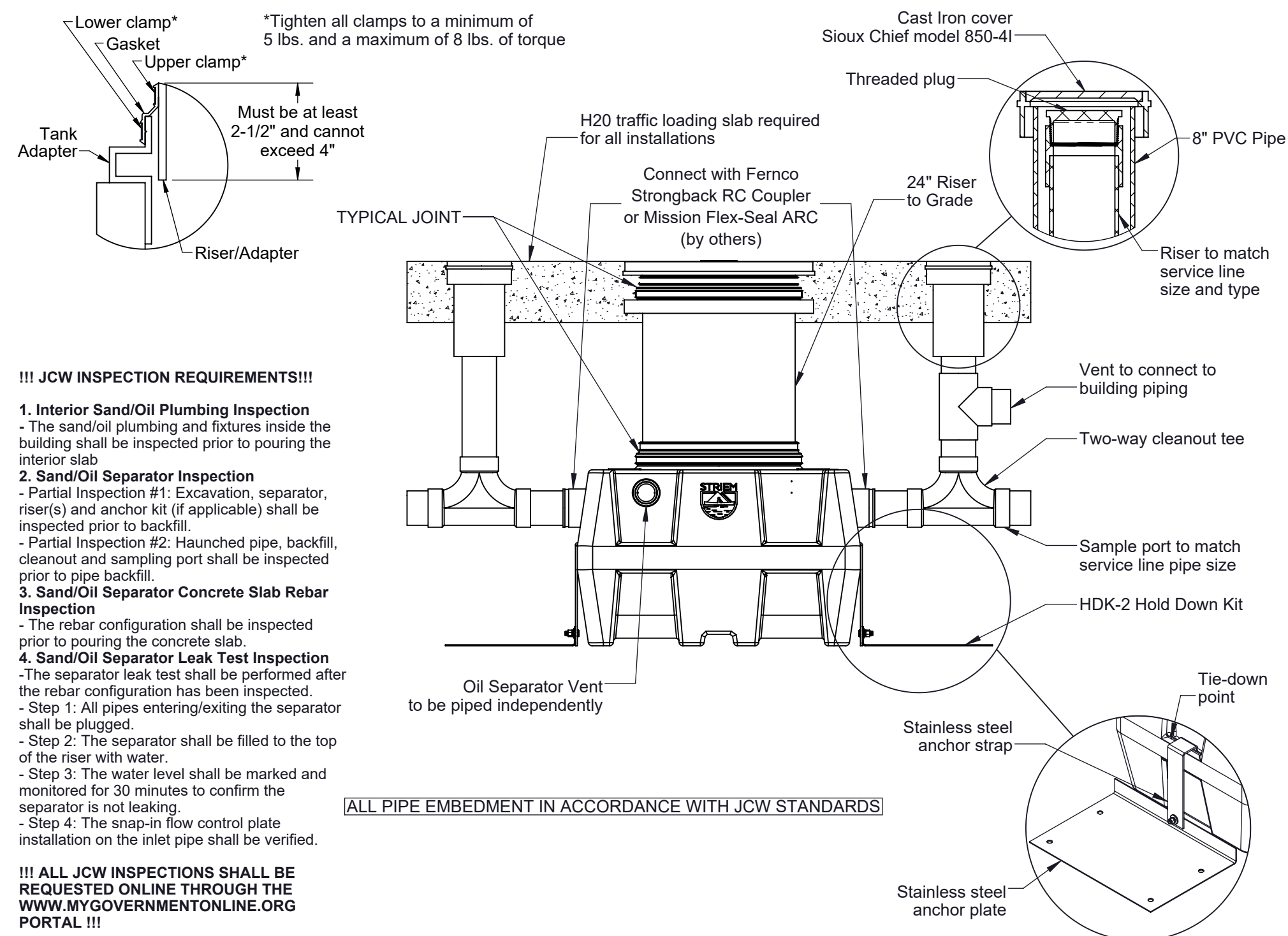
1. Preparation of sub grade per geotech recommendations.
2. Stabilize and compact sub grade to 95% proctor.
3. Fill tank with water before backfilling to prevent float out during piping installation.
4. Before backfilling and pouring of slab secure covers and risers (if necessary) to the unit.
5. Backfill using crushed aggregate material approximately 3/4" size rock, or sand, with no fines.
6. Place 6" aggregate base under slab. Aggregate should be 3/4" size rock, or sand, with no fines.
7. Concrete to be 28 day compressive strength to 4000 PSI with 6%±1% air entrainment.
8. NO. 4 rebar (Ø 1/2") grade 60 steel per ASTM A615: connected with tie wire.
9. Rebar to be 2-1/2" from edge of concrete.
10. Rebar spacing 12" grid. 4" spacing around access openings.



CONCRETE SLAB DETAIL



EXCAVATION AND BACKFILL DETAIL



!!! JCW INSPECTION REQUIREMENTS!!!

- 1. Interior Sand/Oil Plumbing Inspection**
- The sand/oil plumbing and fixtures inside the building shall be inspected prior to pouring the interior slab
- 2. Sand/Oil Separator Inspection**
- Partial Inspection #1: Excavation, separator, riser(s) and anchor kit (if applicable) shall be inspected prior to backfill.
- Partial Inspection #2: Haunched pipe, backfill, cleanout and sampling port shall be inspected prior to pipe backfill.
- 3. Sand/Oil Separator Concrete Slab Rebar Inspection**
- The rebar configuration shall be inspected prior to pouring the concrete slab.
- 4. Sand/Oil Separator Leak Test Inspection**
- The separator leak test shall be performed after the rebar configuration has been inspected.
- Step 1: All pipes entering/exiting the separator shall be plugged.
- Step 2: The separator shall be filled to the top of the riser with water.
- Step 3: The water level shall be marked and monitored for 30 minutes to confirm the separator is not leaking.
- Step 4: The snap-in flow control plate installation on the inlet pipe shall be verified.

ALL PIPE EMBEDMENT IN ACCORDANCE WITH JCW STANDARDS

!!! ALL JCW INSPECTIONS SHALL BE REQUESTED ONLINE THROUGH THE WWW.MYGVERNMENTONLINE.ORG PORTAL !!!

PROPRIETARY AND CONFIDENTIAL
THE INFORMATION CONTAINED IN THIS DRAWING IS THE SOLE PROPERTY OF STRIEM, LLC.
ANY REPRODUCTION IN PART OR AS A WHOLE WITHOUT THE WRITTEN PERMISSION OF STRIEM, LLC. IS PROHIBITED.

SPECIFICATIONS

1. 4" Plain End inlet/outlet, 3" Plain End vents, C24-HP cover standard.
2. Certified max flow rate: 50 GPM.
3. Liquid capacity: 57 Gallons (7.6 cu. ft.).
4. Oil capacity: 14.25 Gallons.
5. Solids capacity: 7 Gallons.
6. Unit weight: 153 lbs.
7. Maximum operating temperature 140°F continuous.

NOTES

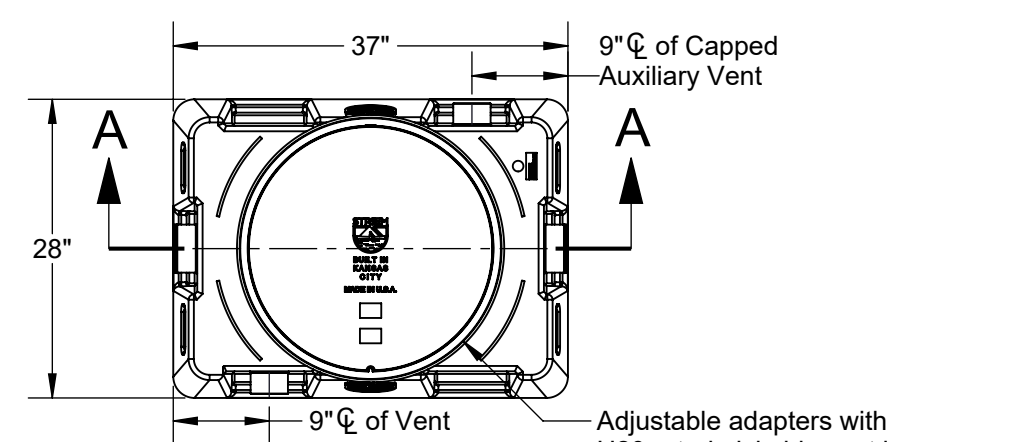
1. Engineered inlet diffuser efficiently separates oil from water.
2. Capped auxiliary vent provided to allow flexibility with vent piping and design. Provided cap can be moved to unused vent location, or discarded if two chamber vents are required per local code.
3. For gravity drainage applications only.
4. Do not use for pressure applications.
5. Cover placement allows full access to tank for proper maintenance.
6. Maximum burial depth: 46" from the crown of the inlet.

ENGINEER SPECIFICATION GUIDE

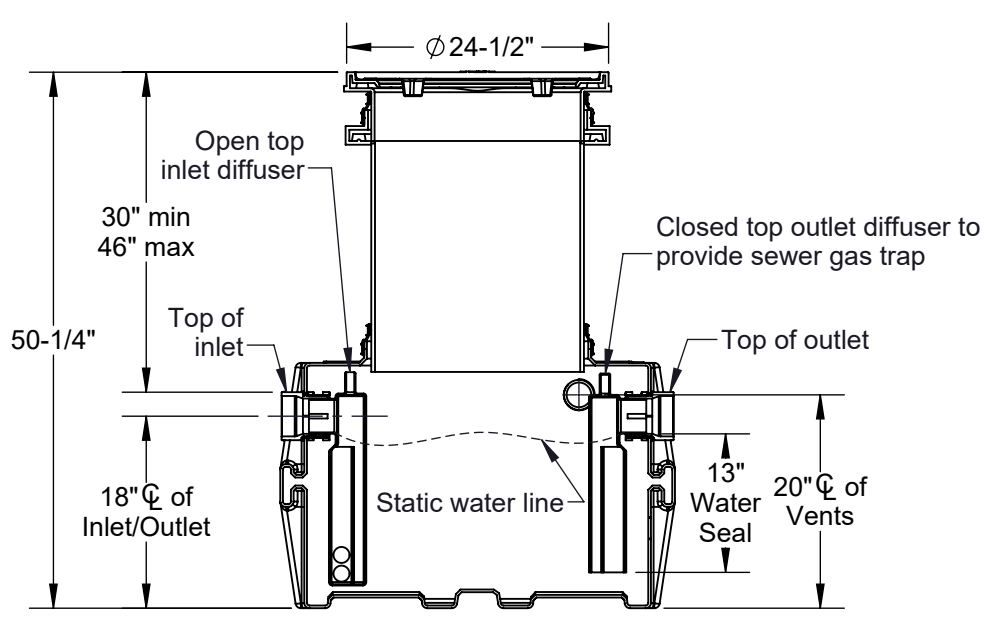
Striem high efficiency oil/water separator model OS-50-JCW shall be lifetime guaranteed and made in the USA. Separator shall be certified to IAPMO IGC 325 and carry a UPC listing. Separator shall be constructed of polyethylene. Separator shall be manufactured for above- or below-grade installation. Field-adjustable riser system is available as an option to bring manhole cover to grade. Separator flow rate shall be 50 GPM. Separator liquid holding capacity shall be 57 gallons and oil capacity shall be 14.25 gallons. Solids capacity shall be 7 gallons. Cover shall be H20 rated pickable cast iron.

IAPMO IGC 325 CERTIFICATION

The OS-50-JCW has been third party certified by IAPMO to the IGC 325 standard. The OS-50-JCW achieved an average 98% efficiency rating at 50 GPM up to the maximum oil capacity of 14.25 gallons. The structural design has been approved and stamped by a licensed structural engineer for direct burial in accordance with Striem's installation instructions.

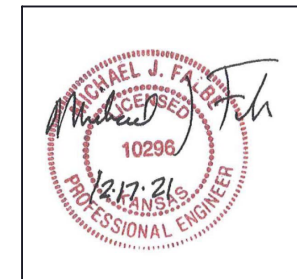


TOP VIEW

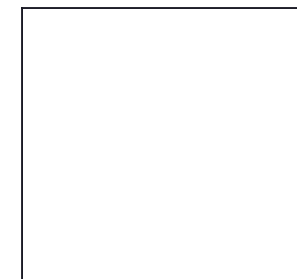


SECTION A-A

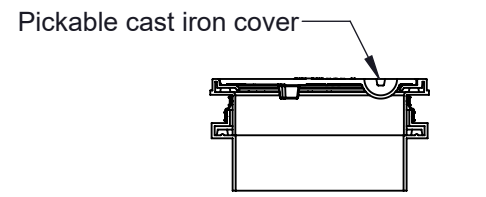
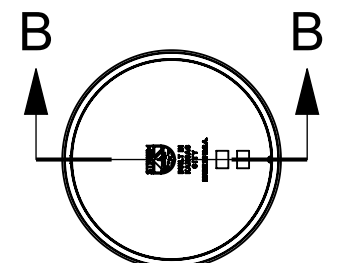
OPTIONS	
Riser Options	
<input type="checkbox"/>	30" to 46": LR24
Additional Options	
<input type="checkbox"/>	HDK-2: High Water Table Hold Down Kit
<input type="checkbox"/>	SS: Slick Stick™ Oil Level Monitoring System*
*Monitoring system will raise covers by 3".	



PE STAMP
(For H20 Slab Design Only)



Hold Down Kit Required Unless Sealed by Kansas Professional Engineer



SECTION B-B



MODEL NUMBER: OS-50-JCW

DESCRIPTION:
POLYETHYLENE OIL SEPARATOR
50 GPM
57 GALLON CAPACITY
JOHNSON COUNTY WASTEWATER DETAIL

SPECIFICATION SHEET

Striem
Kansas City, KS
Tel: 913-222-1500
orders@striemco.com
www.striemco.com



Made in the U.S.A

DWG BY: ENG DATE: 1/16/2025 REV: 0