

**EXCAVATION**

1. Install unit(s) as close as possible to fixtures being serviced.
2. Width and length of excavation shall be minimum 12" greater than the tank on all sides.
3. Depth of excavation shall be 6" deeper than tank bottom.
4. Set the tank in well-packed crushed aggregate material approximately 3/4" size rock, or sand, with no fines.

**UNIT INSTALLATION**

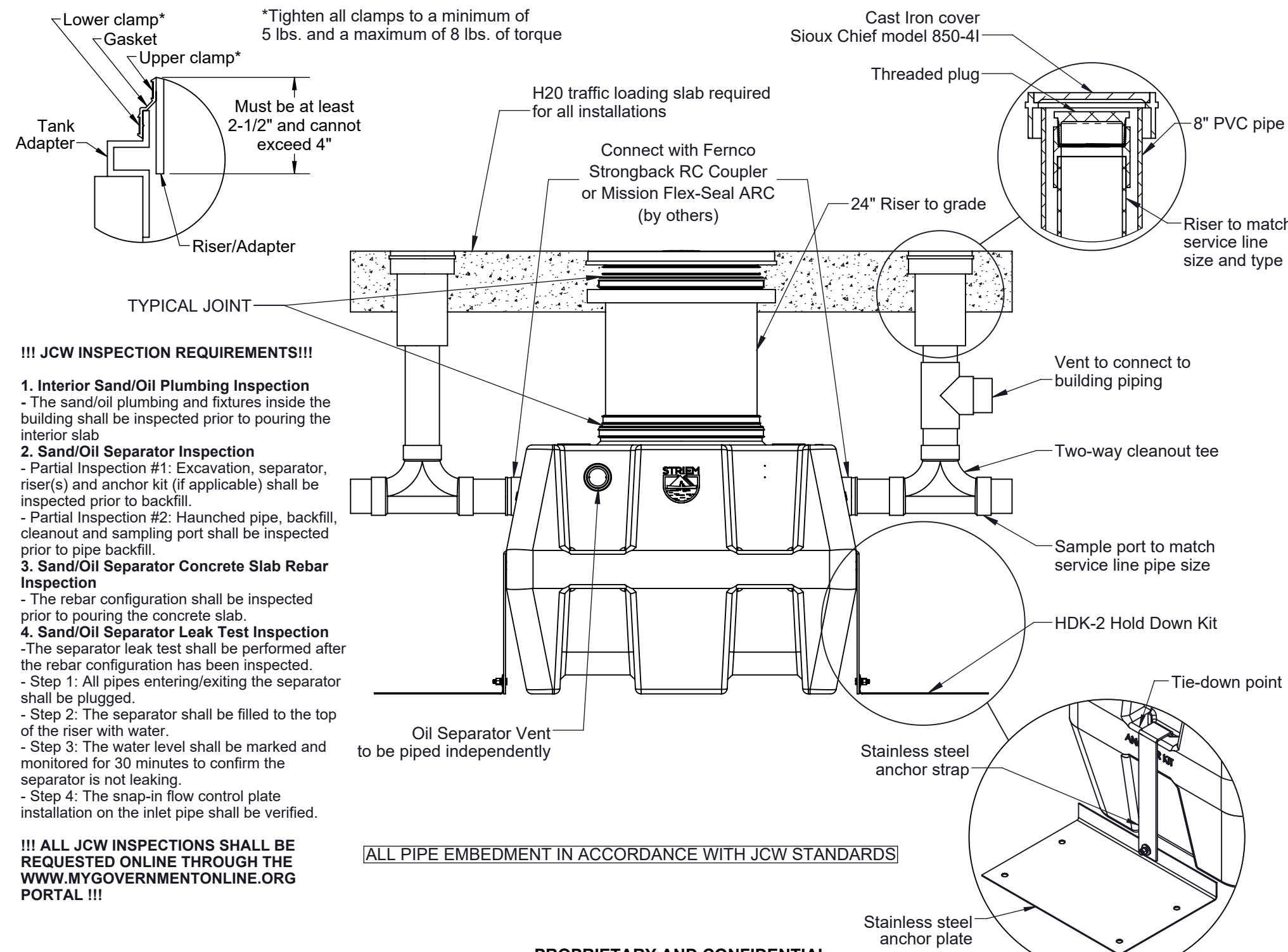
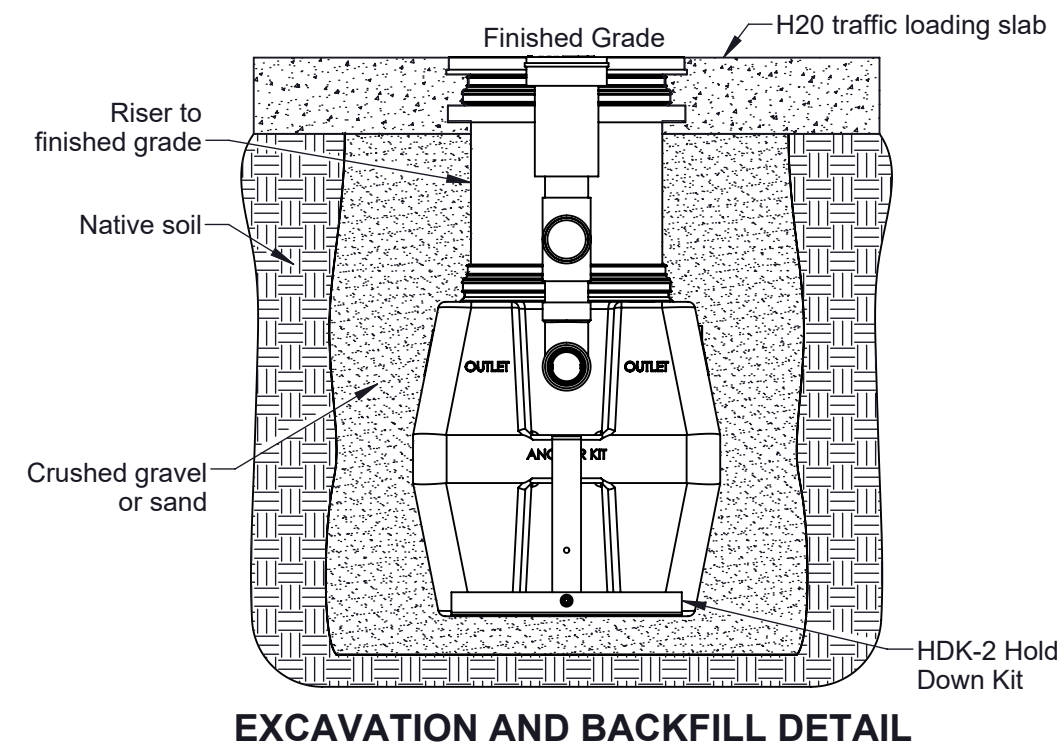
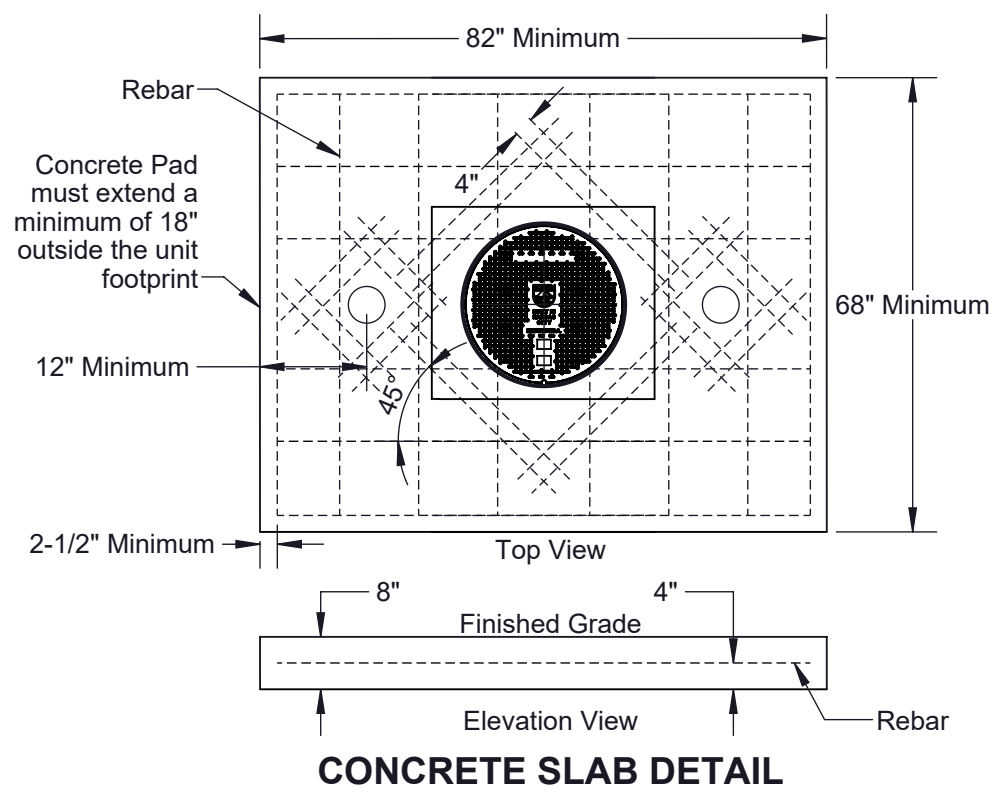
1. Lower and center the unit into hole.
2. Ensure the top of riser is level with finished grade.
3. Connect waste piping to the unit.
4. Connect vent piping to vent connection on sidewall of tank. If auxiliary vent is used, remove cap and install on inlet side vent.
5. Fill unit with water before backfilling to stabilize unit, check for leaks, and prevent float out during backfilling.

**HDK-2 HOLD DOWN KIT INSTALLATION STEPS**

1. HDK-2 Hold Down Kit is required for installations in high water table conditions to prevent float out. To be determined by specifying engineer. See detail on this sheet.
2. Slide "Anchor Strap" over tie down point on end wall and bolt together using provided hardware.
3. Bolt "Anchor Strap" to "Anchor Plate" using provided hardware.
4. Hold down force achieved by backfill weight acting on Anchor Plate.
5. Anchor Plate may be bolted to concrete slab, if required, by using holes provided in Anchor Plate.

**BACKFILLING & FINISHED CONCRETE SLAB**

1. Preparation of sub grade per geotech recommendations.
2. Stabilize and compact sub grade to 95% proctor.
3. Fill tank with water before backfilling to prevent float out during piping installation.
4. Before backfilling and pouring of slab secure cover and riser(s) (if necessary) to the unit.
5. Backfill using crushed aggregate material approximately 3/4" size rock, or sand, with no fines.
6. Place 6" aggregate base under slab. Aggregate should be 3/4" size rock, or sand, with no fines.
7. Concrete to be 28 day compressive strength to 4000 PSI with 6%±1% air entrainment.
8. NO. 4 rebar (Ø 1/2") grade 60 steel per ASTM A615: connected with tie wire.
9. Rebar to be 2 1/2" from edge of concrete.
10. Rebar spacing 12" grid. 4" spacing around access openings.



**!!! JCW INSPECTION REQUIREMENTS!!!**

1. Interior Sand/Oil Plumbing Inspection - The sand/oil plumbing and fixtures inside the building shall be inspected prior to pouring the interior slab
2. Sand/Oil Separator Inspection - Partial Inspection #1: Excavation, separator, riser(s) and anchor kit (if applicable) shall be inspected prior to backfill. - Partial Inspection #2: Haunched pipe, backfill, cleanout and sampling port shall be inspected prior to pipe backfill.
3. Sand/Oil Separator Concrete Slab Rebar Inspection - The rebar configuration shall be inspected prior to pouring the concrete slab.
4. Sand/Oil Separator Leak Test Inspection - The separator leak test shall be performed after the rebar configuration has been inspected. - Step 1: All pipes entering/exiting the separator shall be plugged. - Step 2: The separator shall be filled to the top of the riser with water. - Step 3: The water level shall be marked and monitored for 30 minutes to confirm the separator is not leaking. - Step 4: The snap-in flow control plate installation on the inlet pipe shall be verified.

!!! ALL JCW INSPECTIONS SHALL BE REQUESTED ONLINE THROUGH THE WWW.MYGVERNMENTONLINE.ORG PORTAL !!!

[ALL PIPE EMBEDMENT IN ACCORDANCE WITH JCW STANDARDS]

PROPRIETARY AND CONFIDENTIAL THE INFORMATION CONTAINED IN THIS DRAWING IS THE SOLE PROPERTY OF STRIEM, LLC. ANY REPRODUCTION IN PART OR AS A WHOLE WITHOUT THE WRITTEN PERMISSION OF STRIEM, LLC. IS PROHIBITED.

**SPECIFICATIONS**

1. 4" Plain End inlet/outlet, 3" Plain End vents, C24-HP cover standard.
2. Certified max flow rate: 75 GPM.
3. Liquid capacity: 110 Gallons (14.7 cu. ft.).
4. Oil capacity: 27.5 Gallons.
5. Solids capacity: 11 Gallons.
6. Unit weight: 180 lbs.
7. Maximum operating temperature 140°F continuous.

**NOTES**

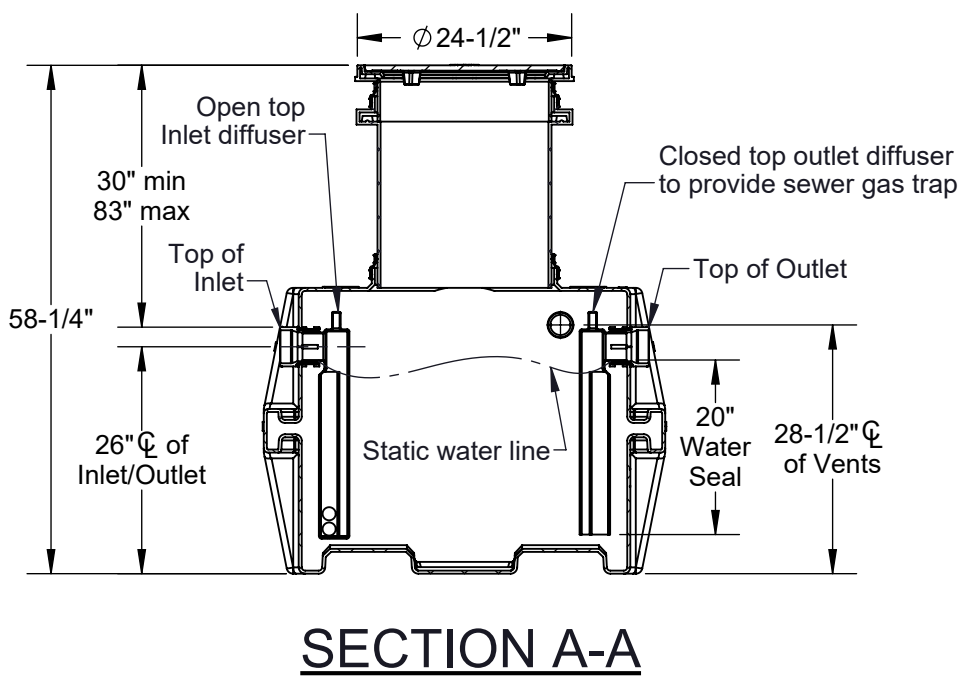
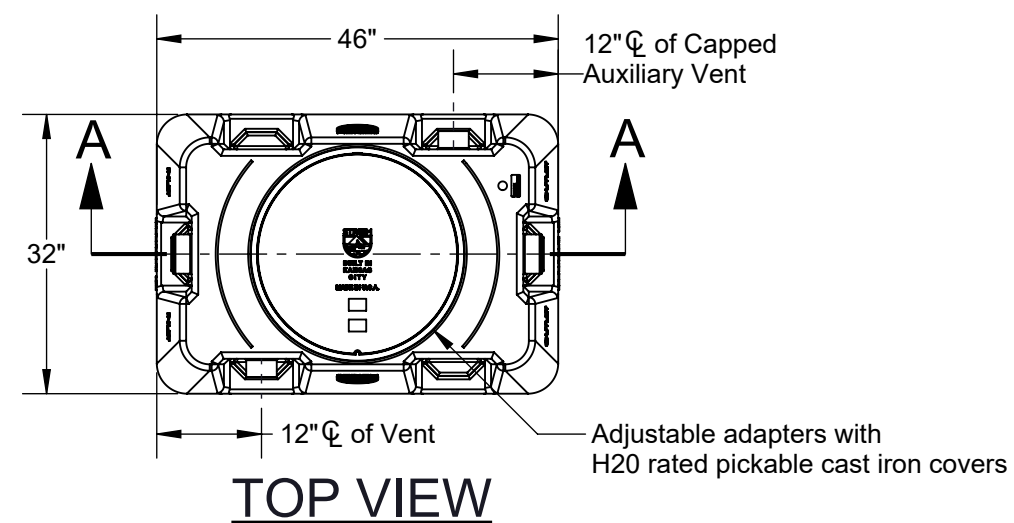
1. Engineered inlet diffuser efficiently separates oil from water.
2. Capped auxiliary vent provided to allow flexibility with vent piping and design. Provided cap can be moved to unused vent location, or discarded if two chamber vents are required per local code.
3. For gravity drainage applications only.
4. Do not use for pressure applications.
5. Cover placement allows full access to tank for proper maintenance.
6. Maximum burial depth: 83" from the crown of the inlet.

**ENGINEER SPECIFICATION GUIDE**

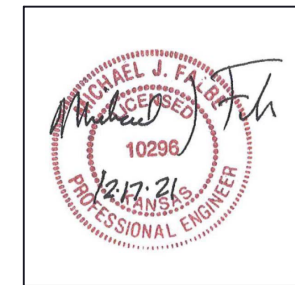
Striem high efficiency oil/water separator model OS-75-JCW shall be lifetime guaranteed and made in the USA. Separator shall be certified to IAPMO IGC 325 and carry a UPC listing. Separator shall be constructed of polyethylene. Separator shall be manufactured for above- or below-grade installation. Field-adjustable riser system is available as an option to bring manhole cover to grade. Separator flow rate shall be 75 GPM. Separator liquid holding capacity shall be 110 gallons and oil capacity shall be 27.5 gallons. Solids capacity shall be 11 gallons. Cover shall be H20 rated pickable cast iron.

**IAPMO IGC 325 CERTIFICATION**

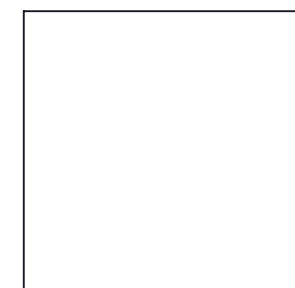
The OS-75-JCW has been third party certified by IAPMO to the IGC 325 standard. The OS-75-JCW achieved an average 99% efficiency rating at 75 GPM up to the maximum oil capacity of 27.5 gallons. The structural design has been approved and stamped by a licensed structural engineer for direct burial in accordance with Striem's installation instructions.



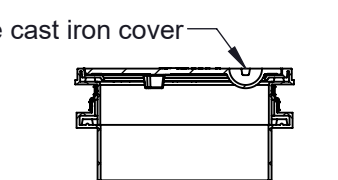
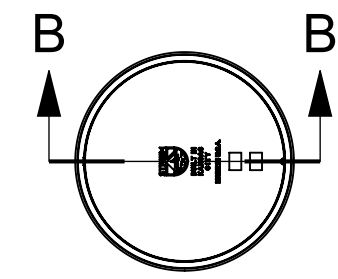
OPTIONS	
<b>Riser Options</b>	
<input type="checkbox"/>	30" to 34": <b>SR24</b>
<input type="checkbox"/>	Up to 49": <b>LR24</b>
<input type="checkbox"/>	Up to 53": <b>SR24 (2)</b>
<input type="checkbox"/>	Up to 68": <b>SR24 + LR24</b>
<input type="checkbox"/>	Up to 83": <b>LR24 (2)</b>
<b>Additional Options</b>	
<input type="checkbox"/>	<b>HDK-2:</b> High Water Table Hold Down Kit
<input type="checkbox"/>	<b>SS:</b> Slick Stick™ Oil Level Monitoring System*
*Monitoring system will raise covers by 3".	



PE STAMP (For H20 Slab Design Only)



Hold Down Kit Required Unless Sealed by Kansas Professional Engineer



Pickable cast iron cover



<b>MODEL NUMBER:</b>	OS-75-JCW
<b>DESCRIPTION:</b>	POLYETHYLENE OIL SEPARATOR 75 GPM 110 GALLON CAPACITY JOHNSON COUNTY WASTEWATER DETAIL
<b>DWG BY:</b>	ENG
<b>DATE:</b>	1/17/2025
<b>REV:</b>	0

**SPECIFICATION SHEET**

**Striem**  
 Kansas City, KS  
 Tel: 913-222-1500  
 orders@striemco.com  
 www.striemco.com

**Made in the U.S.A**