

SPECIFICATIONS

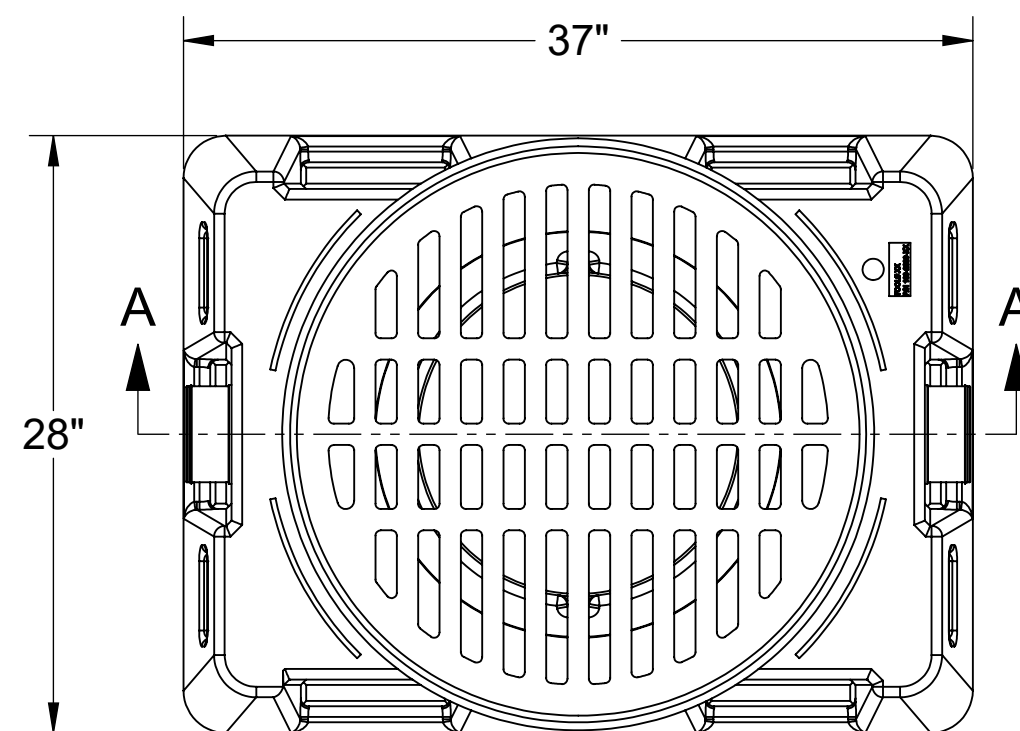
1. 4" Plain End inlet/outlet standard.
2. Liquid capacity: 57 Gallons.
3. Solids capacity: 25 Gallons.
4. Basket capacity: 7 Gallons.
5. Unit weight: 200 lbs.
6. Maximum operating temperature 140 °F continuous.

NOTES

1. For gravity drainage applications only.
2. Do not use for pressure applications.
3. Cover placement allows full access to tank for proper maintenance.
4. Narrow footprint allows clearance through doorways and down stairs.
5. Diptube is removable to inspect or clean piping.
6. Maximum burial depth: 36" from standard cover height.

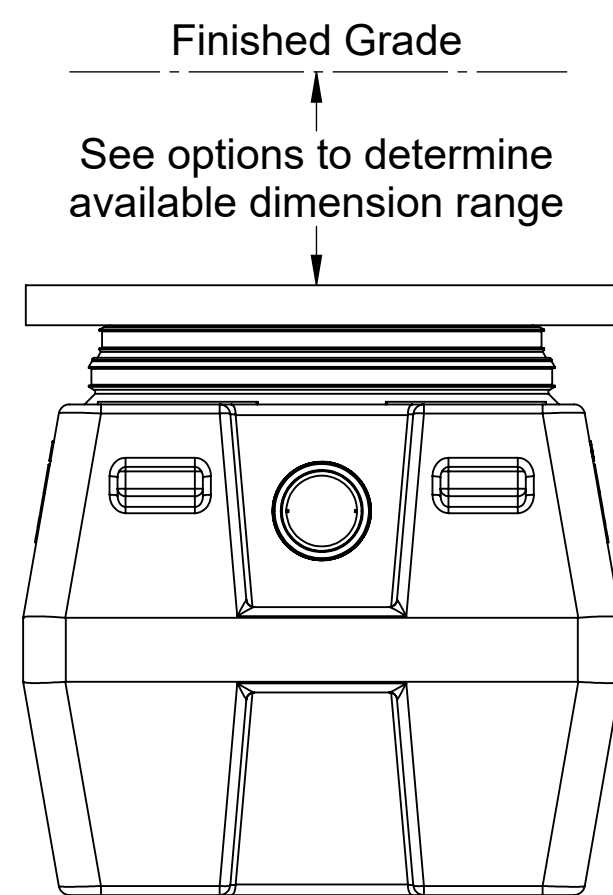
ENGINEER SPECIFICATION GUIDE

Striem solids interceptor model CB-50-G shall be lifetime guaranteed and made in the USA. Interceptor shall be constructed of polyethylene. Interceptor shall be manufactured for below-grade installation. Field-adjustable riser system is available as an option to bring manhole cover to grade. Interceptor liquid holding capacity shall be 57 gallons. Interceptor solids capacity shall be 25 gallons. BCB-7 basket solids capacity shall be 7 gallons. Cover shall be H20 rated cast iron grate.

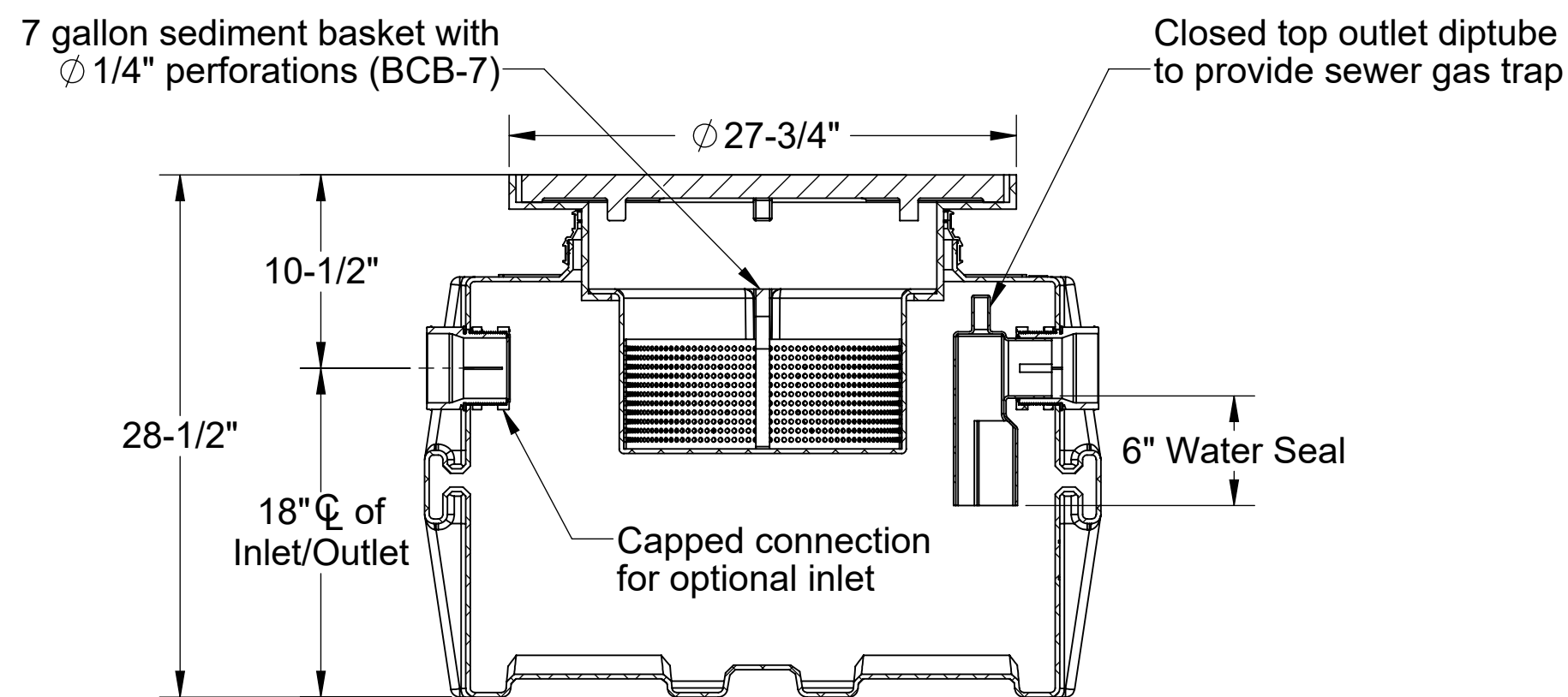


TOP VIEW

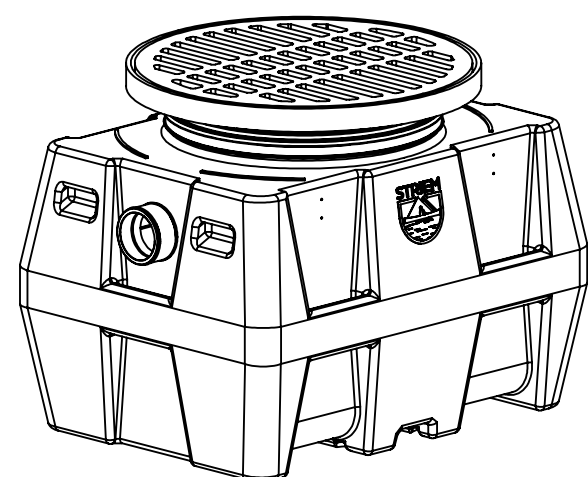
OPTIONS	
Connection Options (Plain End Only)	
Inlet / Outlet	
<input type="checkbox"/> 3"	
<input type="checkbox"/> 4"	
Riser Options	
From factory: Up to 2"	
<input type="checkbox"/> 5" - 21": SR24	
<input type="checkbox"/> Up to 36": LR24	
*If in the range of 2" - 5", contact Striem for a custom solution.	
Additional Options	
<input type="checkbox"/> HDK-2: High Water Table Hold Down Kit	



END VIEW



SECTION A-A



PROPRIETARY AND CONFIDENTIAL
 THE INFORMATION CONTAINED IN THIS DRAWING IS THE SOLE PROPERTY OF STRIEM, LLC.
 ANY REPRODUCTION IN PART OR AS A WHOLE WITHOUT THE WRITTEN PERMISSION OF STRIEM, LLC. IS PROHIBITED.

MODEL NUMBER:	CB-50-G	SPECIFICATION SHEET	
DESCRIPTION:	POLYETHYLENE CATCH BASIN WITH H20 RATED CAST IRON GRATE AND BCB-7 SEDIMENT BASKET		
DWG BY: ENG	DATE: 4/24/2025	REV: 1	Striem Kansas City, KS Tel: 913-222-1500 orders@striemco.com www.striemco.com Made in the U.S.A