

SPECIFICATIONS

1. 4" Plain End inlet/outlet, 3" Plain End vents, C24-M cover standard.
2. Certified max flow rate: 50 GPM.
3. Liquid capacity: 57 Gallons (7.6 cu. ft.).
4. Oil capacity: 14.25 Gallons.
5. Solids capacity: 7 Gallons.
6. Unit weight w/ standard cover: 93 lbs.; w/ cast iron cover: 153 lbs.
7. Maximum operating temperature 140°F continuous.

NOTES

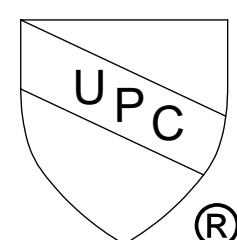
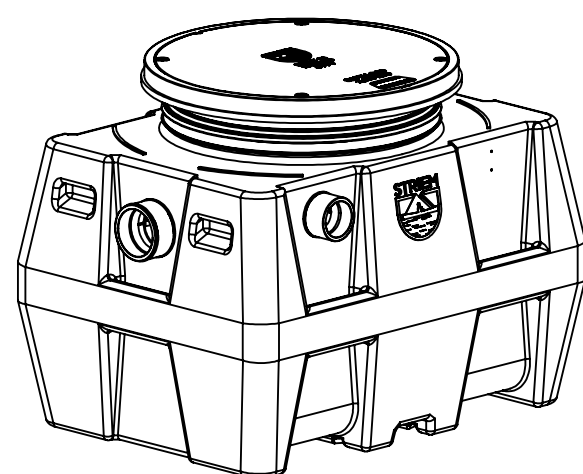
1. Engineered inlet diffuser efficiently separates oil from water.
2. Capped auxiliary vent provided to allow flexibility with vent piping and design. Provided cap can be moved to unused vent location, or discarded if two chamber vents are required per local code.
3. For gravity drainage applications only.
4. Do not use for pressure applications.
5. Cover placement allows full access to tank for proper maintenance.
6. Maximum burial depth: 39" from standard cover height.

ENGINEER SPECIFICATION GUIDE

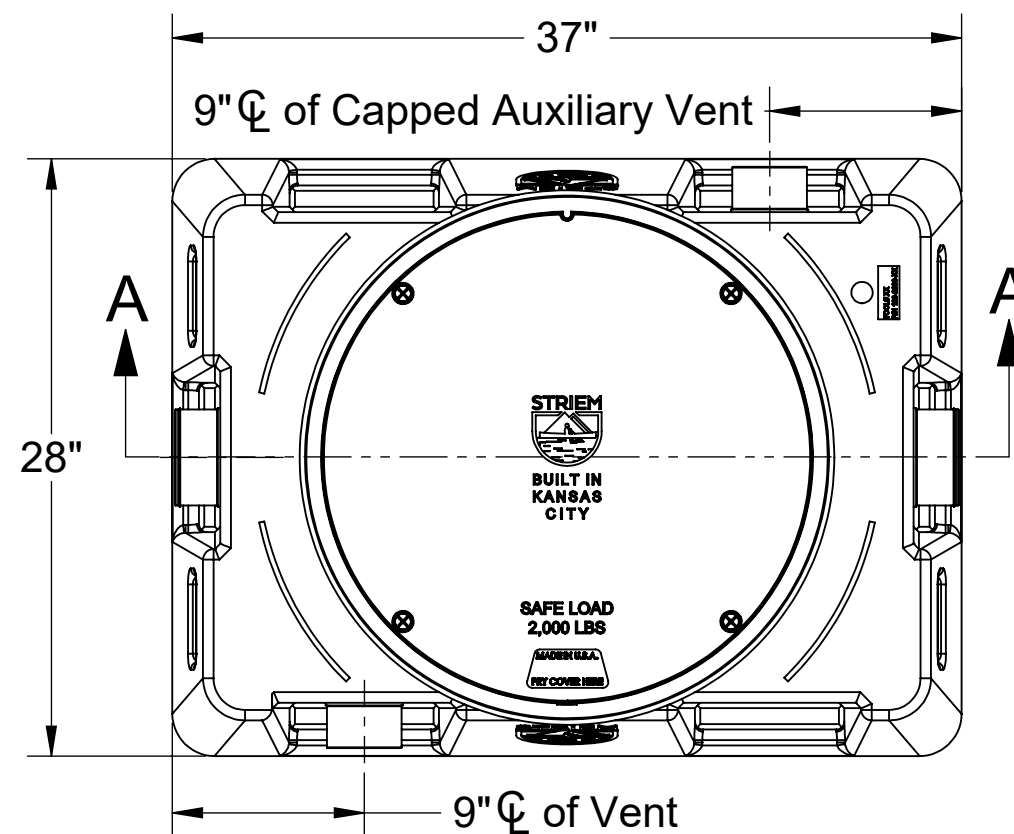
Striem high efficiency oil/water separator model OS-50 shall be lifetime guaranteed and made in the USA. Separator shall be certified to IAPMO IGC 325 and carry a UPC listing. Separator shall be constructed of polyethylene. Separator shall be manufactured for above- or below-grade installation. Field-adjustable riser system is available as an option to bring manhole cover to grade. Separator flow rate shall be 50 GPM. Separator liquid holding capacity shall be 57 gallons and oil capacity shall be 14.25 gallons. Solids capacity shall be 7 gallons. Cover shall provide water/gas-tight seal and have a maximum 2,000 lbs. load capacity.

IAPMO IGC 325 CERTIFICATION

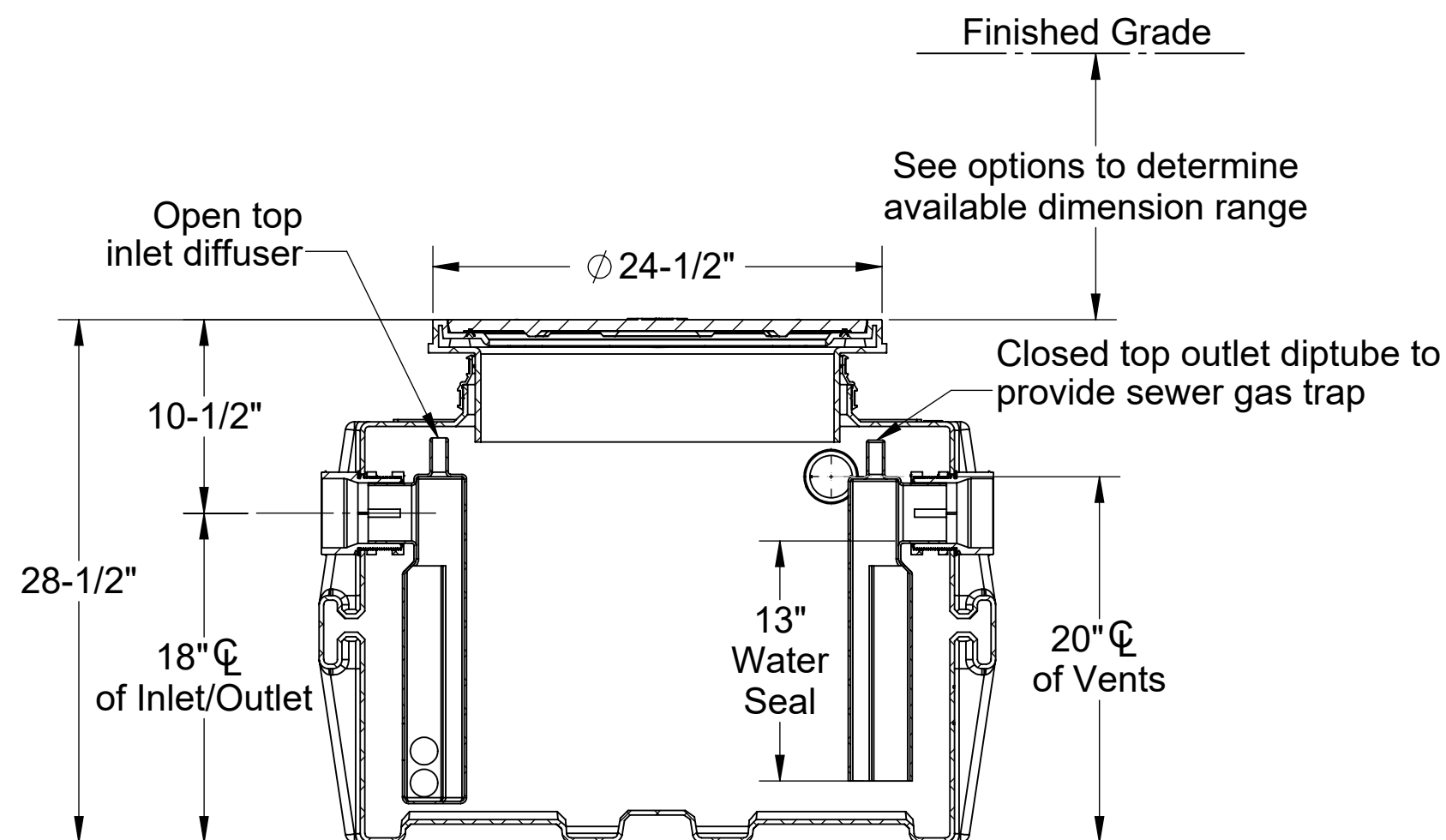
The OS-50 has been third party certified by IAPMO to the IGC 325 standard. The OS-50 achieved an average 98% efficiency with 24.7 mg/L effluent quality at 50 GPM up to the maximum oil capacity of 14.25 gallons. The structural design has been approved and stamped by a licensed structural engineer for direct burial in accordance with Striem's installation instructions.



PROPRIETARY AND CONFIDENTIAL
THE INFORMATION CONTAINED IN THIS DRAWING IS THE SOLE PROPERTY OF STRIEM, LLC.
ANY REPRODUCTION IN PART OR AS A WHOLE WITHOUT THE WRITTEN PERMISSION OF STRIEM, LLC. IS PROHIBITED.



TOP VIEW



SECTION A-A

OPTIONS

Riser Options

From Factory: Up to 5"

- Up to 24": SR24
- Up to 39": LR24

Additional Options

- HDK-2: High Water Table Hold Down Kit
- C24-H: Highway Rated Bolted Composite Cover
- C24-HP: H2O Rated Pickable Cast Iron Cover
- SS: Slick Stick™ Oil Level Monitoring System*

*Monitoring system will raise covers by 3".

MODEL NUMBER: OS-50

DESCRIPTION:

50 GPM POLYETHYLENE
HIGH EFFICIENCY OIL/WATER SEPARATOR

DWG BY: ENG

DATE: 4/1/2025

REV: 2

SPECIFICATION SHEET

Striem
Kansas City, KS
Tel: 913-222-1500
orders@striemco.com
www.striemco.com

Made in the U.S.A

