

**SPECIFICATIONS**

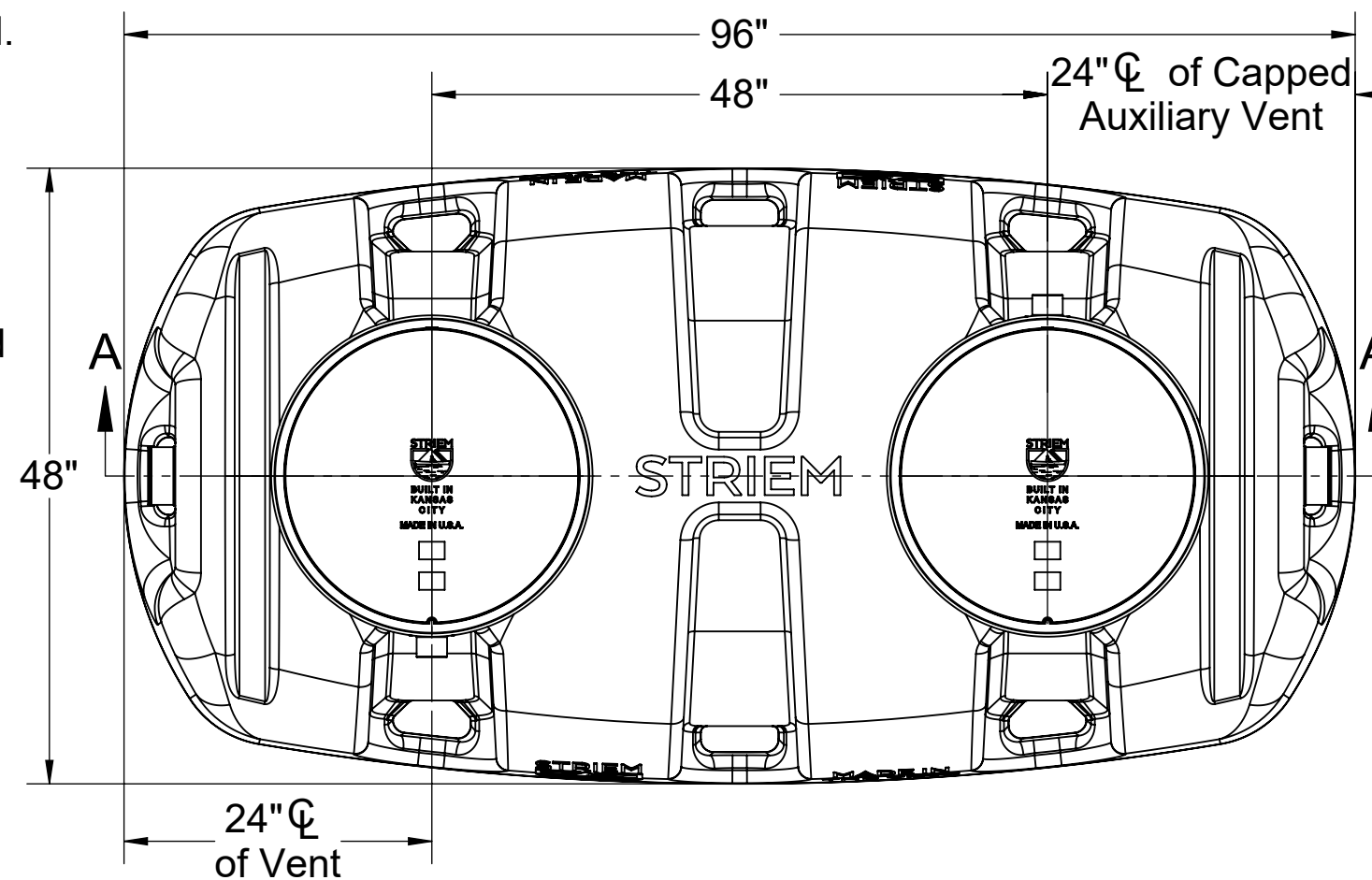
1. 4" Plain End inlet/outlet, 2" Plain End vents, C24-HP covers standard.
2. Liquid capacity: 500 gallons (66.8 cu. ft.).
3. Unit weight w/ standard cover: 460 lbs.
4. Maximum operating temperature 140°F continuous.

**NOTES**

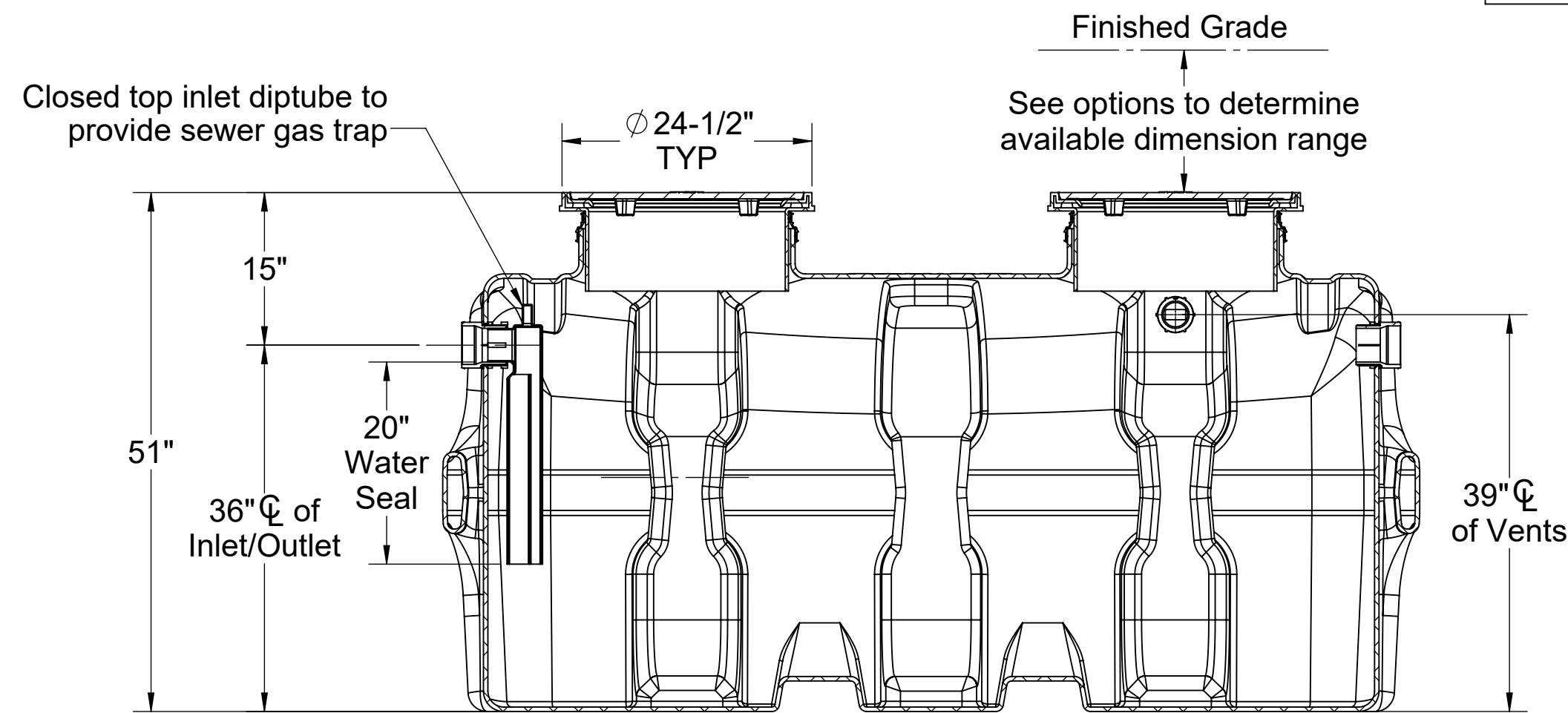
1. For gravity drainage applications only.
2. Do not use for pressure applications.
3. Capped auxiliary vent provided to allow flexibility with vent piping and design. Provided cap can be moved to unused vent location, or discarded if two chamber vents are required per local code.
4. Cover placement allows full access to tank for proper maintenance.
5. Maximum burial depth: 106" from standard cover height.

**ENGINEER SPECIFICATION GUIDE**

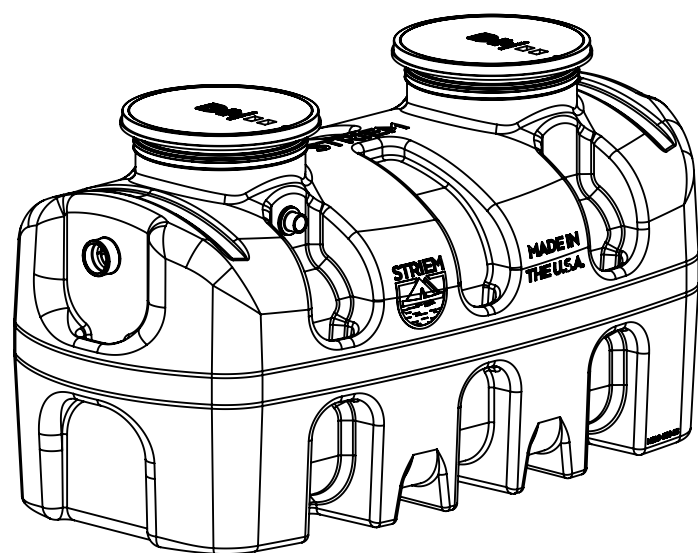
Striem neutralization tank model LB-500 shall be lifetime guaranteed and made in the USA. Tank shall be constructed of polyethylene with 7/8" nominal wall thickness. Tank shall be manufactured for above- or below-grade installation. Field-adjustable riser system is available as an option to bring manhole cover to grade. Tank liquid holding capacity shall be 500 gallons. Covers shall be H20 rated pickable cast iron.



**TOP VIEW**



**SECTION A-A**



PO IS NON-CANCELABLE  
ORDER IS NON-RETURNABLE

PROPRIETARY AND CONFIDENTIAL  
THE INFORMATION CONTAINED IN THIS DRAWING IS THE SOLE PROPERTY OF STRIEM, LLC.  
ANY REPRODUCTION IN PART OR AS A WHOLE WITHOUT THE WRITTEN PERMISSION OF STRIEM, LLC. IS PROHIBITED.

**MODEL NUMBER:** LB-500

**DESCRIPTION:**  
LAB BASIN™  
POLYETHYLENE NEUTRALIZATION TANK  
500 GALLON CAPACITY

**DWG BY:** ENG    **DATE:** 1/28/2026    **REV:** 3

**OPTIONS**

**Connection Options (Plain End Only)**

**Inlet / Outlet**

- 4"
- 6"

SELECTION  
REQUIRED

**Riser Options**

**From Factory:** Up to 5"

- Up to 24": SR24 (2)
- Up to 39": LR24 (2)
- Up to 43": SR24 (4)
- Up to 58": SR24 (2)+ LR24 (2)
- Up to 72": LR24 (4)
- Up to 90": SR24 (2) + LR24 (4)
- Up to 106": LR24 (6)

- OR -

- CPRK (2): 11" - 106" (See specification for more detail.)

**Additional Options**

**High Water Table Hold Down Kits (Choose One)**

- HDK-13: With Steel Plates Included
- HDK-14: For Concrete Deadmen (By Others)
- C24-M (2): 2,000 lbs. Rated Bolted Composite Cover
- CC-1 & SPK: Command Center pH Monitoring Package with Sensor Placement Kit
- Limestone: 90%+ Calcium Carbonate (6,500 lbs.)

**SPECIFICATION SHEET**

Striem  
Kansas City, KS  
Tel: 913-222-1500  
orders@striemco.com  
www.striemco.com

Made in the U.S.A

