

SPECIFICATIONS

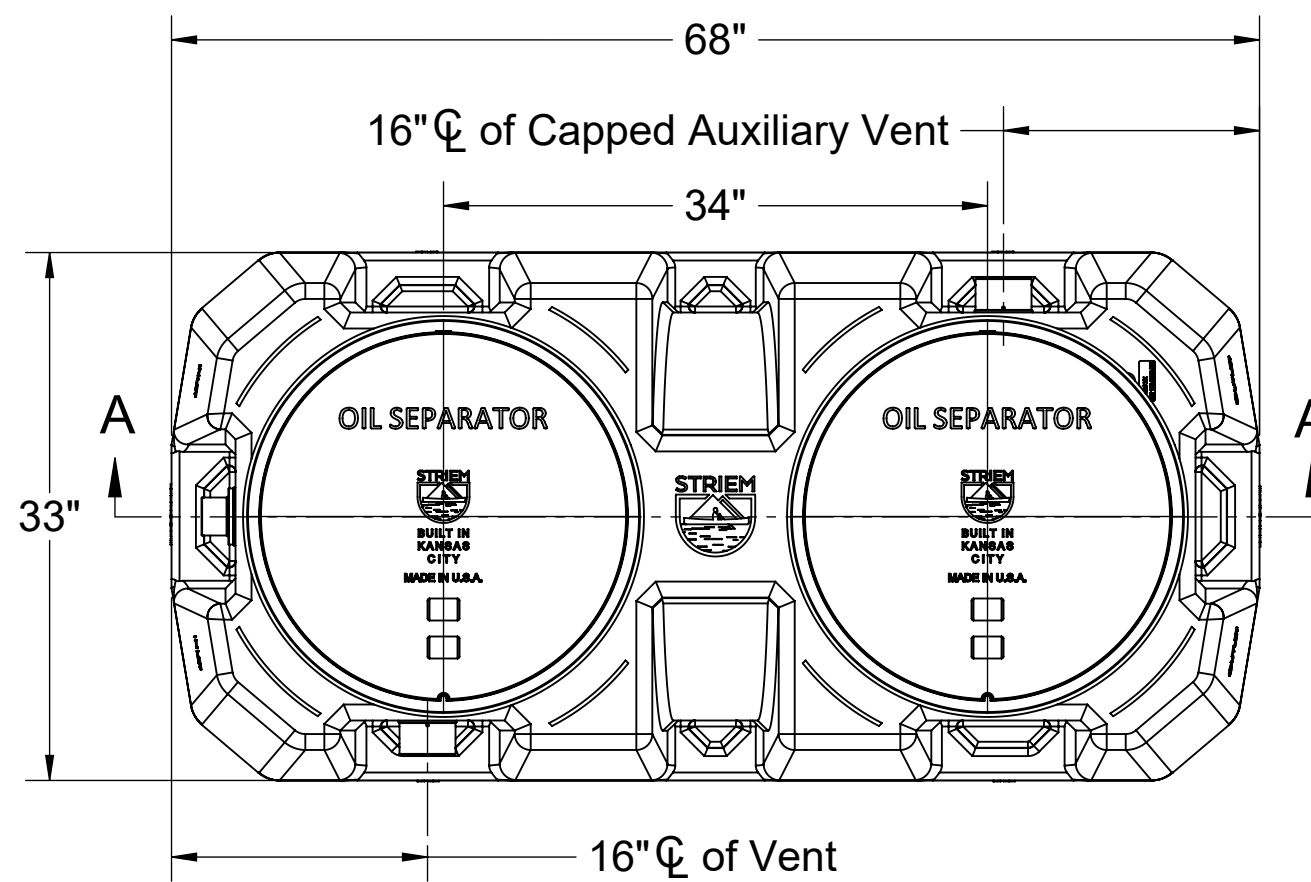
1. 2" Plain End inlet, 3" Plain End vents, H2O traffic-rated cast iron covers standard.
2. Oil capacity: 250 Gallons (33.4 cu ft).
3. Unit weight w/ standard covers: 340 lbs.
4. Maximum operating temperature: 140°F continuous.

NOTES

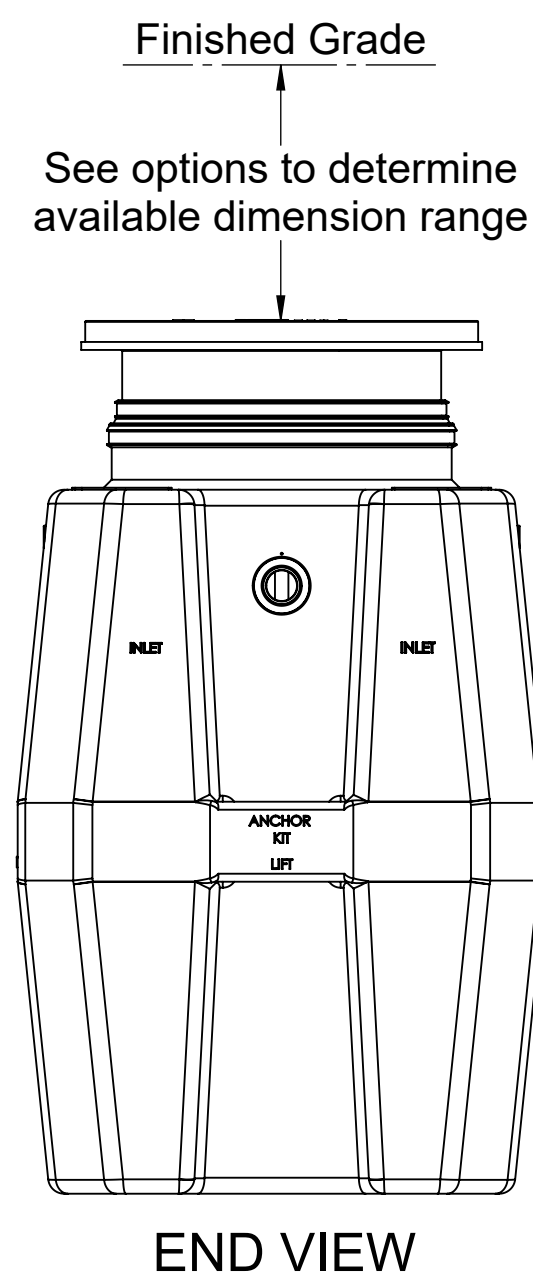
1. For gravity drainage applications only.
2. Do not use for pressure applications.
3. Capped auxiliary vent provided to allow flexibility with vent piping and design. Provided cap can be moved to unused vent location, or discarded if two chamber vents are required per local code.
4. Cover placement allows full access to tank for proper maintenance.
5. Maximum burial depth: 90" (87" w/ monitoring) from standard cover height.

ENGINEER SPECIFICATION GUIDE

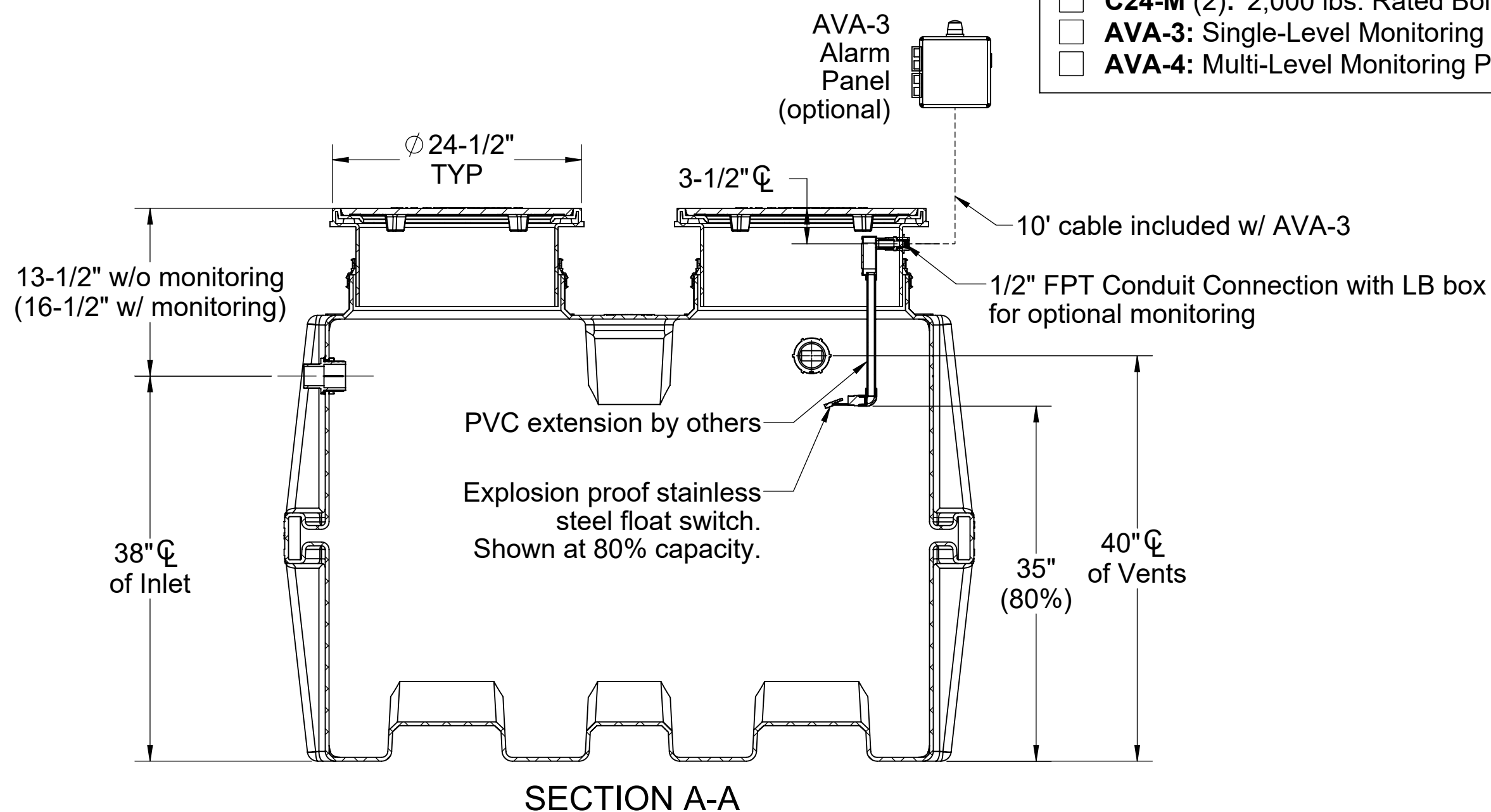
Striem oil collection tank model OCT-275 shall be lifetime guaranteed and made in the USA. Tank shall be constructed of polyethylene. Tank shall be manufactured for above- or below-grade installation. Field-adjustable riser system is available as an option to bring manhole covers to grade. Tank oil collection capacity shall be 250 gallons. Covers shall be H2O traffic-rated pickable cast iron cover.



TOP VIEW

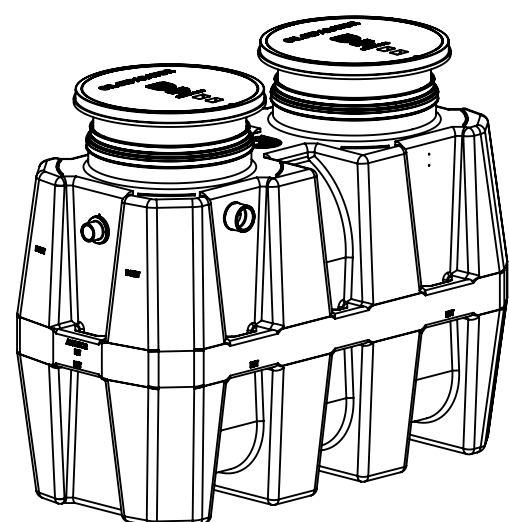


END VIEW



SECTION A-A

OPTIONS	
Connection Options (Plain End Only)	
Inlet	
<input type="checkbox"/> 2"	
<input type="checkbox"/> 3"	
<input type="checkbox"/> 4"	
<input type="checkbox"/> 6"	
Riser Options	
From Factory: Up to 5" (Up to 2" w/ monitoring)	
<input type="checkbox"/>	Up to 24" (21" w/ monitoring): SR24 (2)
<input type="checkbox"/>	Up to 39" (36" w/ monitoring): LR24 (2)
<input type="checkbox"/>	Up to 43" (40" w/ monitoring): SR24 (4)
<input type="checkbox"/>	Up to 58" (55" w/ monitoring): SR24 (2) + LR24 (2)
<input type="checkbox"/>	Up to 72" (69" w/ monitoring): LR24 (4)
<input type="checkbox"/>	Up to 90" (87" w/ monitoring): SR24 (2) + LR24 (4)
- OR -	
<input type="checkbox"/>	CPRK (2): 11" - 90" (11" - 87" w/ monitoring) (See specification for more detail.)
Additional Options	
<input type="checkbox"/>	HDK-2: High Water Table Hold Down Kit
<input type="checkbox"/>	C24-M (2): 2,000 lbs. Rated Bolted Composite Covers
<input type="checkbox"/>	AVA-3: Single-Level Monitoring Package
<input type="checkbox"/>	AVA-4: Multi-Level Monitoring Package



PO IS NON-CANCELABLE ORDER IS NON-RETURNABLE

PROPRIETARY AND CONFIDENTIAL
THE INFORMATION CONTAINED IN THIS DRAWING IS THE SOLE PROPERTY OF STRIEM, LLC. ANY REPRODUCTION IN PART OR AS A WHOLE WITHOUT THE WRITTEN PERMISSION OF STRIEM, LLC. IS PROHIBITED.

MODEL NUMBER:	OCT-275
DESCRIPTION:	250 GALLON POLYETHYLENE OIL COLLECTION TANK
DWG BY:	ENG
DATE:	4/22/2026
REV:	1

SPECIFICATION SHEET

Striem
Kansas City, KS
Tel: 913-222-1500
orders@striemco.com
www.striemco.com

Made in the U.S.A

