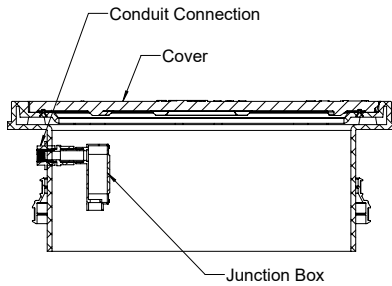




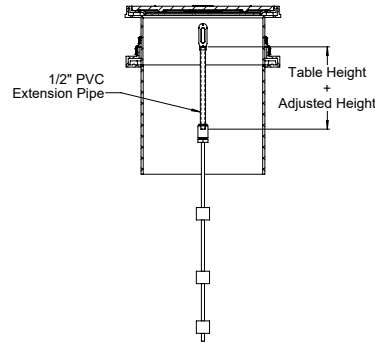
AVA-4 Liquid Level Monitoring System INSTALLATION INSTRUCTIONS

- 1 Remove unit cover where float switch will be installed. Remove the glued together PVC fittings affixed to the junction box.



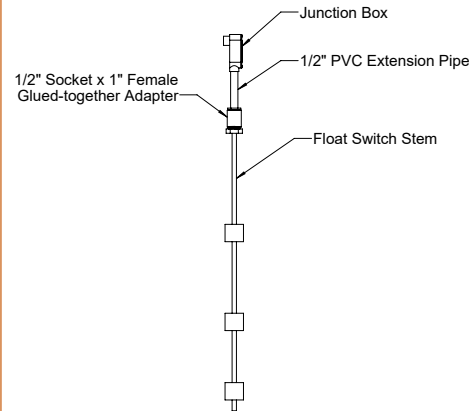
- 2
 - Cut the length of 1/2" PVC referenced in the table to be used as the extension pipe.
 - If unit will be buried with an adjusted adapter or riser extensions, add the amount the height was adjusted to ensure correct placement of float switch.

Table Length + Adjusted Height = Total length of 1/2" PVC Extension

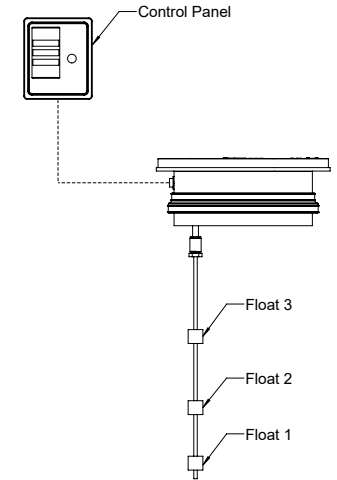


BB UNIT	1/2" PVC LENGTH
BB-275	5 1/2"
BB-500	6 1/2"
BB-1000	13 1/4"
BB-2000	16 1/2"

- 3
 - Thread the male end of the float switch stem onto the 1" female adapter.
 - Glue the adapter to the extension pipe, and the extension pipe to the junction box.



- 4
 - Run float switch wiring through the extension pipe and the bottom of the junction box.
 - Run control panel wiring through exterior conduit (*by others*) and tie together. Installation is complete.
 - **View table below** for the tank volume levels that correspond to the float switch levels.



TANK VOLUME LEVELS:

BB UNIT	FLOAT 3 CAPACITY	FLOAT 2 CAPACITY	FLOAT 1 CAPACITY
BB-275	80%, 200 Gallons	46%, 115 Gallons	22%, 55 Gallons
BB-500	80%, 400 Gallons	47%, 235 Gallons	22%, 112 Gallons
BB-1000	80%, 800 Gallons	56%, 563 Gallons	37%, 374 Gallons
BB-2000	80%, 1600 Gallons	58%, 1154 Gallons	40%, 798 Gallons



Note: "Lifetime Guarantee" shall not apply to electronic equipment provided by Striem. Electronic equipment provided by Striem shall be warranted for one year from shipment date.



913-222-1500



HELP@STRIEMCO.COM



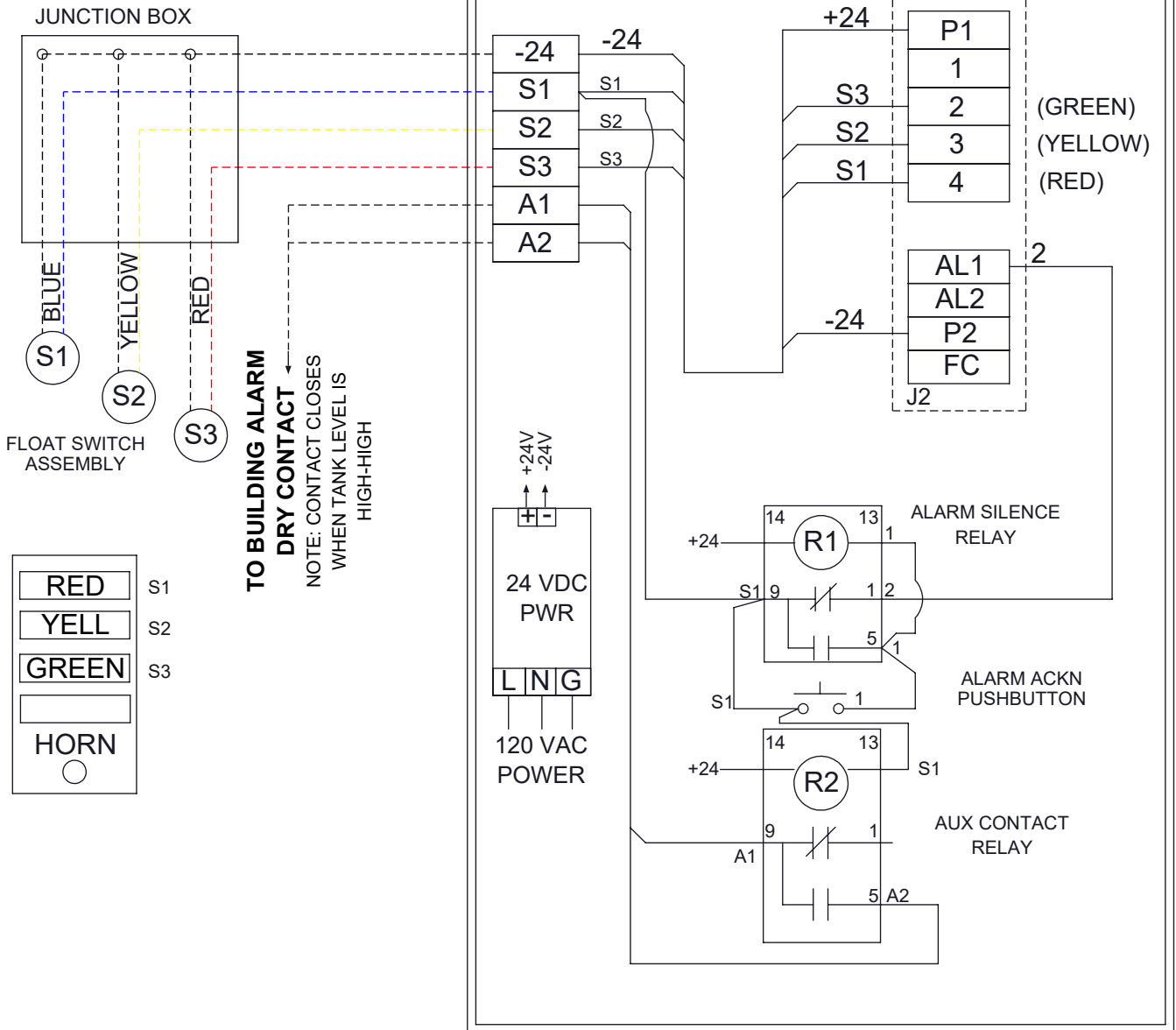
STRIEMCO.COM

CUSTOMER SERVICE HOURS: Mon-Fri, 8 am - 5 pm CST



DRAWING: AUDIO - VISUAL ALARM BOX

S1: HIGH-HIGH ALARM
 S2: HIGH ALARM
 S3: NORMAL



AUDIO VISUAL ALARM BOX
 ----- FIELD WIRING